

shuttlekart 800

Parts Manual

EFFECTIVE DATE:
JUNE, 1996



Degelman

Main Frame, Tank & Wheel Assembly 2

Horizontal Auger & Flow Control Gate Assembly 4

Pivoting Auger Assembly 6

Hydraulic Layout 8

PTO Drive/Shields 10

Gearbox Components 12

Slider Shaft w/ Torque Limiter - Weasler 14

Slider Shaft w/ Quick Disconnect - Weasler 16

Tank Cleanout Assembly 17

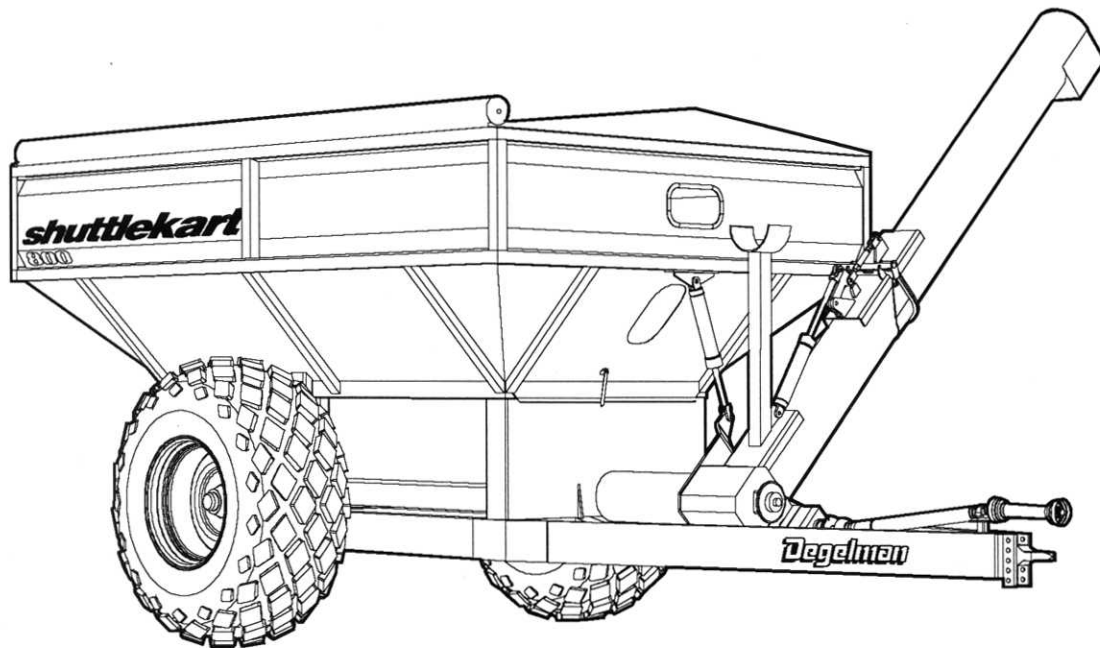
Wiring & Electrical Components 18

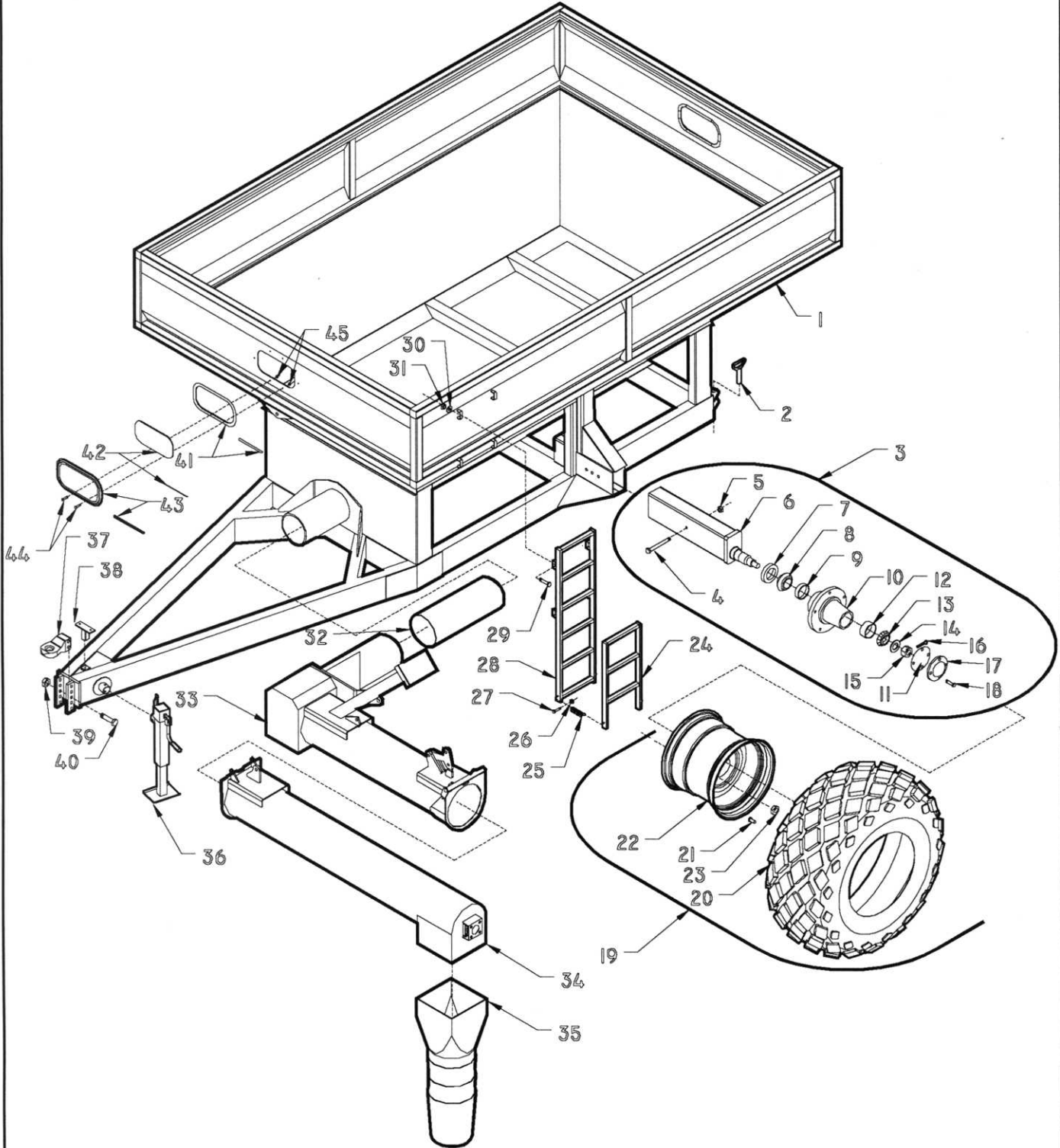
Decals 20

Flow Control Gate Hydraulic Cylinder Assembly 22

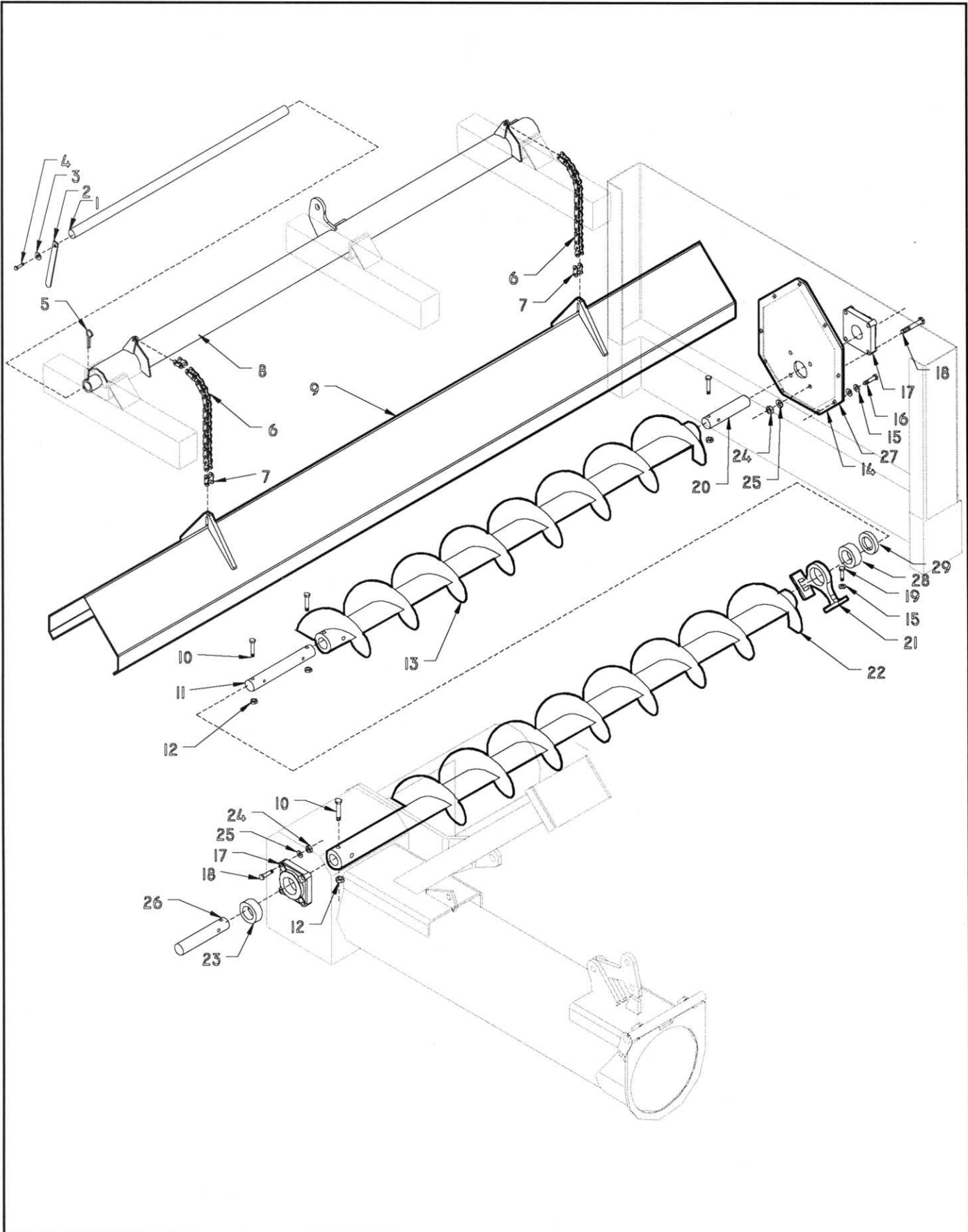
Auger Pivot Cylinder Hydraulic Assembly 23

Auger Fold Cylinder Hydraulic Assembly 24



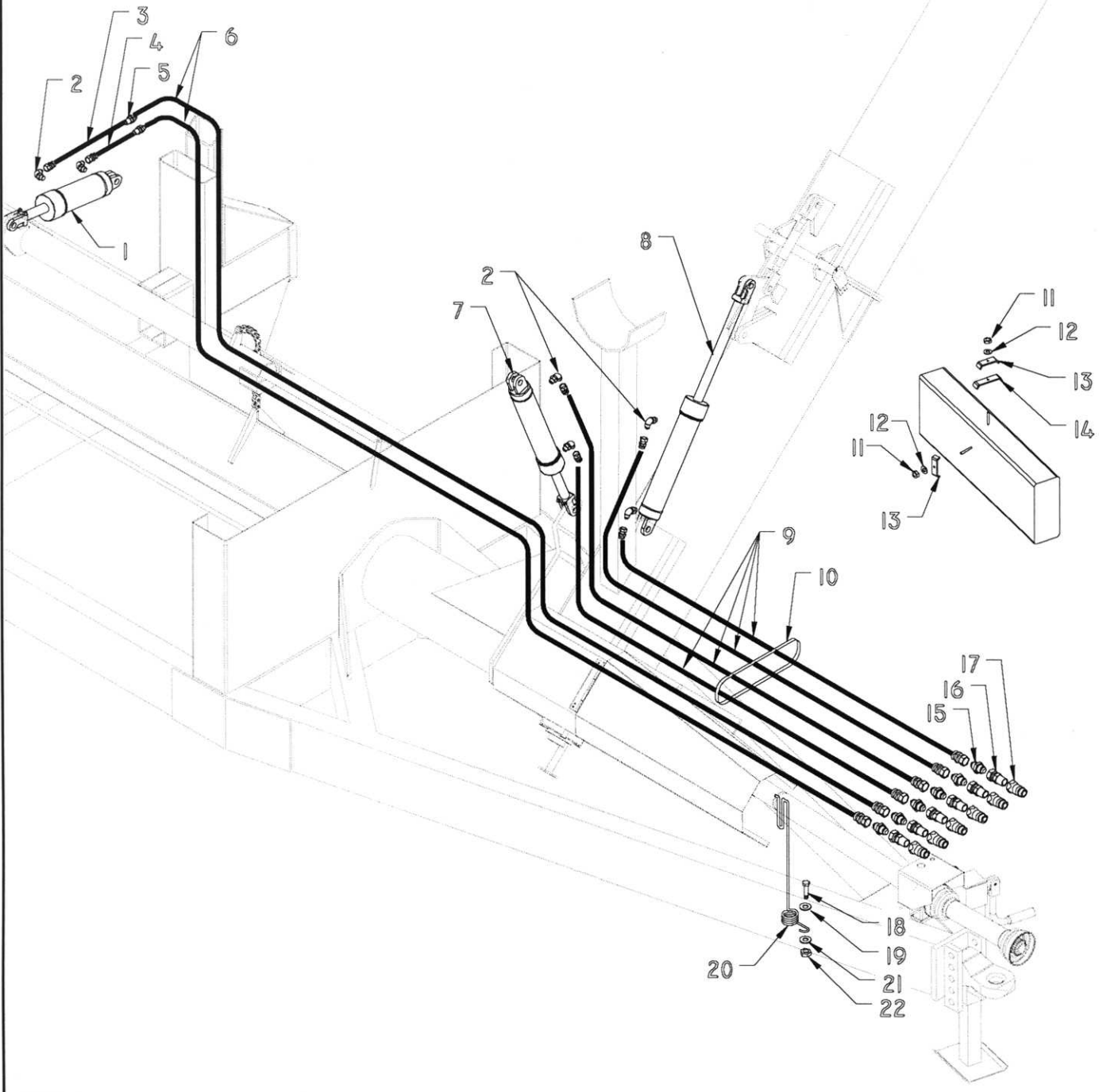


<u>Item</u>	<u>Part #</u>	<u>Description</u>	<u>Quantity</u>
1.	245280	Assy - Trailer/Frame/Tank, Shuttlekart 800 - Yellow	1
2.	245242	Assy - Tow Pin, 1-1/2" x 5-3/4" EFF - Yellow	2
3.	245125	Assy - Adjustable Axle	2
		<i>(Includes Items # 6-18)</i>	
4.	118131	Bolt, Hex, 3/4" x 8" UNC, Gr8, Pl	2
5.	118422	Nut, Lock, 3/4" UNC, Gr5, Pl	2
6.	245121	Assy - Axle, Adjustable, Shuttlekart 800, Black c/w nut	1
7.	131363	Seal, Grease - CR43771	1
8.	131361	Cone, Inner - HM218248	1
9.	131359	Cup, Inner <i>(Included with hub)</i>	1
10.	131358	Hub - H1020 - c/w Cups - UNP	1
11.	131366	Gasket, Dust Cap, 4 Hole	1
12.	131360	Cup, Outer <i>(Included with hub)</i>	1
13.	131362	Cone, Outer - HM212049	1
14.	118586	Washer, Flat, 2-1/8" ID x 3-3/4" x 1/4" Thick	1
15.	118711	Nut, Slotted, 2" UNF, Gr5	1
16.	118903	Pin, Cotter, 3/8" x 4"	1
17.	131365	Cap, Dust - DC28 - 4H - Black	1
18.	118641	Bolt, Hex, 5/16" x 1/2" UNC, Gr5, Pl	4
19.	131371	Wheel, 30.5L x 32 AWT - 12 Ply Diamond (Option #1)	2
	131372	Wheel, 30.5L x 32 DTII - 14 Ply Lug RH } (Option #2)	1
	131373	Wheel, 30.5L x 32 DTII - 14 Ply Lug LH }	
		<i>(Includes Items #20-22)</i>	
20.	127013	Tire, 30.5L x 32 AWT - 12 Ply (Option #1)	1
	127014	Tire, Wheel, 30.5L x 32 DTII - 14 Ply (Option #2)	1
21.	127015	Valve Stem TR618A	1
22.	131370	Rim, DW27A x 32 - 10H - 1-1/2" P/O	1
23.	118712	Nut, Hex - Wide Base, 3/4" UNF, Gr8, Pl	10
24.	245187	Assy, Ladder, Lower, Yellow	1
25.	143108	Spring, Ext, 1" Dia x 0.125W x 3-1/2"	2
26.	118420	Nut, Lock, 1/2" UNC, Pl, Unitorq	2
27.	118011	Bolt, Hex, 1/2" x 1-1/2" UNC, Gr5, Pl	2
28.	245181	Assy, Ladder, Upper, Yellow	1
29.	118005	Bolt, Hex, 3/8" x 1" UNC, Gr5, Pl	4
30.	118503	Washer, Lock, 3/8", Pl	4
31.	118403	Nut, Hex, 3/8" UNC, Gr5, Pl	4
32.	245272	Bearing, Plastic, 3/16" x 32" x 38	1
33.	245070	Assy, Transition Box/Tube - Yellow	1
34.	245105	Assy, Tube/End Auger, Yellow	1
35.	133051	Downspout, Flexible	1
36.	132034	Jack, Sidewind, 8000 lb, Tube Mnt	1
37.	124001	Assy, Ag Hitch, Yellow	1
38.	245192	Assy, Support, Pillow Block Bearing, Yellow	1
39.	118456	Nut, Lock, 1" UNC, Gr5, Pl	2
40.	118624	Bolt, Hex, 1" x 7-1/2" UNC, Gr5, Pl	2
41.	245274	Seal, Window, Rubber	3
42.	245273	Window, 1/4" x 9" x 18"	3
43.	2454202	Bracket, Window Support, Black	3
44.	118110	Bolt, Hex, 5/16" x 1" UNC, Gr5, Pl	18
45.	118427	Nut, Hex, 5/16" UNC, Gr5, Pl	18

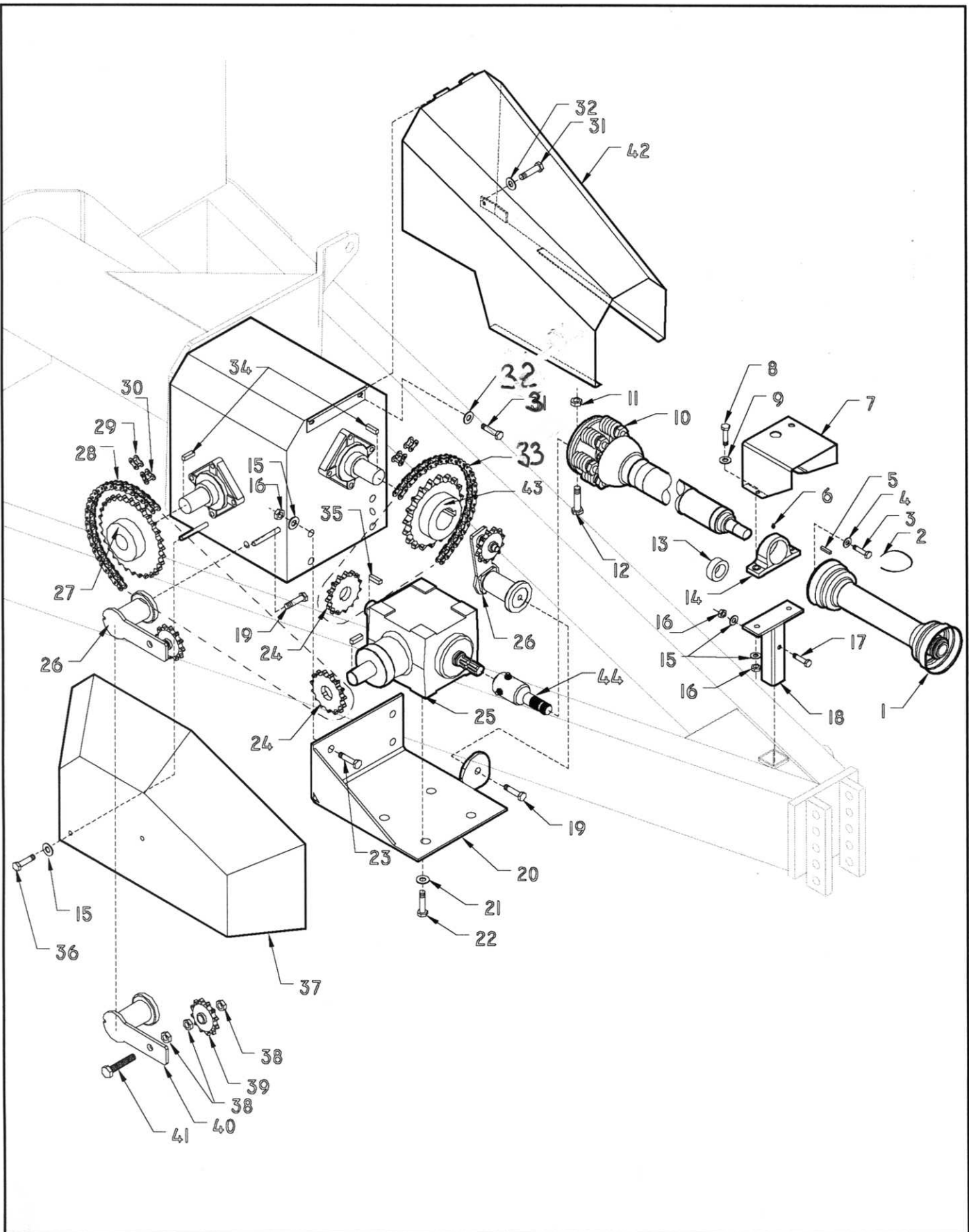


<u>Item</u>	<u>Part #</u>	<u>Description</u>	<u>Quantity</u>
1.	245268	Shaft, Indicator, 1" x 25-1/2", PI	1
2.	245269	Dial, Indicator	1
3.	118503	Washer, Lock, 3/8", PI.....	1
4.	118005	Bolt, Hex, 3/8" x 1" UNC, Gr5, PI	1
5.	118849	Pin, Cotter, 1/4" x 2-1/2"	1
6.	120038	Chain, Roller #100, 13 Link	2
7.	120005	Link, Connector #100 - STD	4
8.	245140	Assy - Rockshaft, Yellow	1
9.	245150	Assy- Flow Control Gate, Yellow	1
10.	118721	Bolt, Hex, 1/2" x 4-1/2" UNC, Gr8, PI	8
11.	245237	Coupler Shaft, 1-15/16" x 14", PI	1
12.	118729	Nut, Lock, 1/2" UNC, GrC, PI, Unitorq	8
13.	245156	Assy - Auger, Rear, 10-3/4" x 83", Yellow	1
14.	245271	Cover, Access/Bearing - 1/2" Polycarbonate	1
15.	118504	Washer, Lock, 1/2", PI	13
16.	118009	Bolt, Hex, 1/2" x 1-1/4" UNC, Gr5, PI	9
17.	117018	Bearing Unit, 4H Flange - 1-15/16", L Collar	2
18.	118026	Bolt, Hex, 5/8" x 2" UNC, Gr5, PI	8
19.	118011	Bolt, Hex, 1/2" x 1-1/2" UNC, Gr5, PI	4
20.	245236	Tailsft, 1-15/16" x 9", PI	1
21.	245220	Assy, Support Bearing, 4H, 1-15/16" c/w L Collar.....	1
22.	245158	Assy - Auger, Front, 10-3/4" x 101-7/8", Yellow	1
23.	245275	Bush, Spacer, 2-1/4" OD x 1.947 ID x 1/2" LG, PI	1
24.	118407	Nut, Hex, 5/8" UNC, Gr5, PI	8
25.	118508	Washer, Lock, 5/8" PI.....	8
26.	245238	Tailsft, 1-15/16" x 12 c/w 1/2" Keyway, PI	1
27.	118587	Washer, Flat, 1/2" SAE, PI	9
28.	117015	Insert, Bearing, 1-15/16"	1
29.	117016	Collar, Lock, 1-15/16" Bearing	1

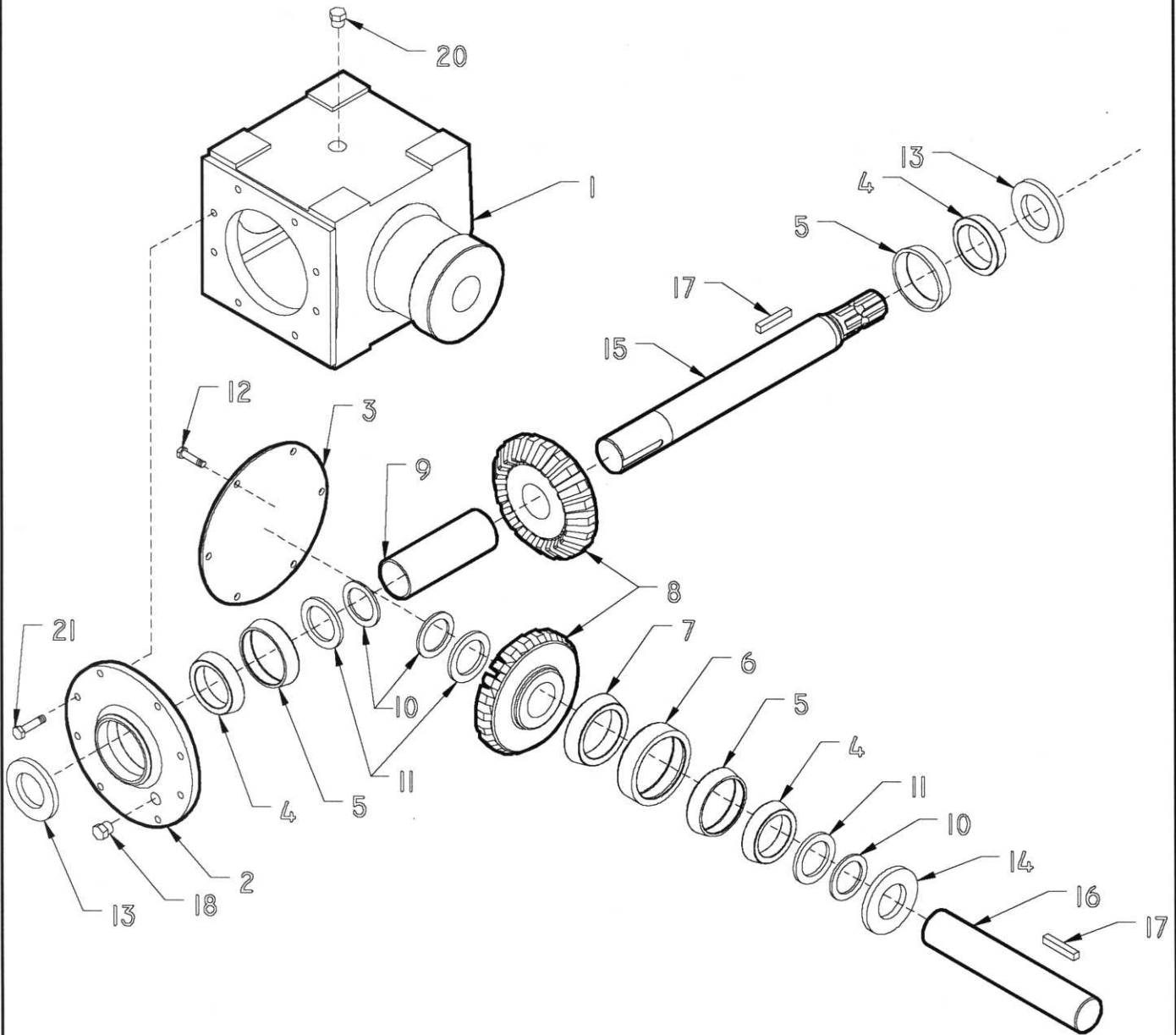
<u>Item</u>	<u>Part #</u>	<u>Description</u>	<u>Quantity</u>
1.	245070	Assy, Transition Box/Tube, Yellow	1
2.	245233	Assy, Lock Plate, Yellow	1
3.	118829	Pin, Hair, Snap, 1/8"	4
4.	132032	Pin, 1" x 2-1/8" EFF, PI	2
5.	245165	Jack, Turn Buckle, 13-3/4" - 17-3/4", Black	1
6.	245105	Assy, End Auger Tube	1
7.	118407	Nut, Hex, 5/8" UNC, Gr5, PI	8
8.	118508	Washer, Lock, 5/8", PI.....	8
9.	118037	Bolt, Hex, 5/8" x 6" UNC, Gr5, PI	4
10.	143107	Spring, Compression, 0.975" OD x 0.162W x 4", Black	4
11.	117018	Bearing Unit, 4H, Flange, 1-15/16", c/w Locking Collar	1
12.	245223	Assy, Support Bearing, Tapped, 1-15/16" c/w L Collar	1
13.	118512	Washer, Flat, 1/2", PI	3
14.	118504	Washer, Lock, 1/2", PI	3
15.	118011	Bolt, Hex, 1/2" x 1-1/2" UNC, Gr5, PI	3
16.	245229	Assy, Hinge Pin, PI.....	1
17.	118405	Nut, Hex, 1/2" UNC, Gr5, PI.....	1
18.	118129	Bolt, Hex, 3/8" x 1-1/4" UNC, Gr5, PI	1
19.	118511	Washer, Flat, 3/8", PI	1
20.	245216	Assy, Clean Out Gate, Yellow	1
21.	118026	Bolt, Hex, 5/8" x 2" UNC, Gr5, PI	4
22.	245238	Tailsft, 1-15/16" x 12", c/w 1/2" Keyway	1
23.	245275	Bush, Spacer, 2-1/4" OD x 1.947" ID x 1/2" Long, PI.....	1
24.	245160	Auger Assy, Lower, 14-3/4" x 80", Yellow	1
25.	245239	Shaft, Tapered, 1-15/16" x 12", PI	1
26.	245226	Assy, Cog, Yellow	1
27.	118905	Pin, Roll, Double, 1/2" x 3"	1
28.	245162	Auger Assy, Upper, 14-3/4" x 104-1/2", Yellow	1
29.	118643	Bolt, Hex, 1/2" x 4" UNC, Gr5, PI	6
30.	118420	Nut, Lock, 1/2" UNC, Gr5, PI, Unitorq	6
31.	245240	Tailsft, 1-15/16" x 11", PI	1
32.	118908	Pin, Roll, 3/8" x 2-1/4"	1
33.	243746	Bolt, Hex, 1" x 4-1/2" UNC, c/w Grease Fitting	1
34.	118456	Nut, Lock, 1" UNC, Gr5, PI	1
35.	245094	Pad, Neoprene, 1/4" x 8" x 23"	1
36.	245096	Seal, Neoprene, 1/4" x 1" x 27"	1



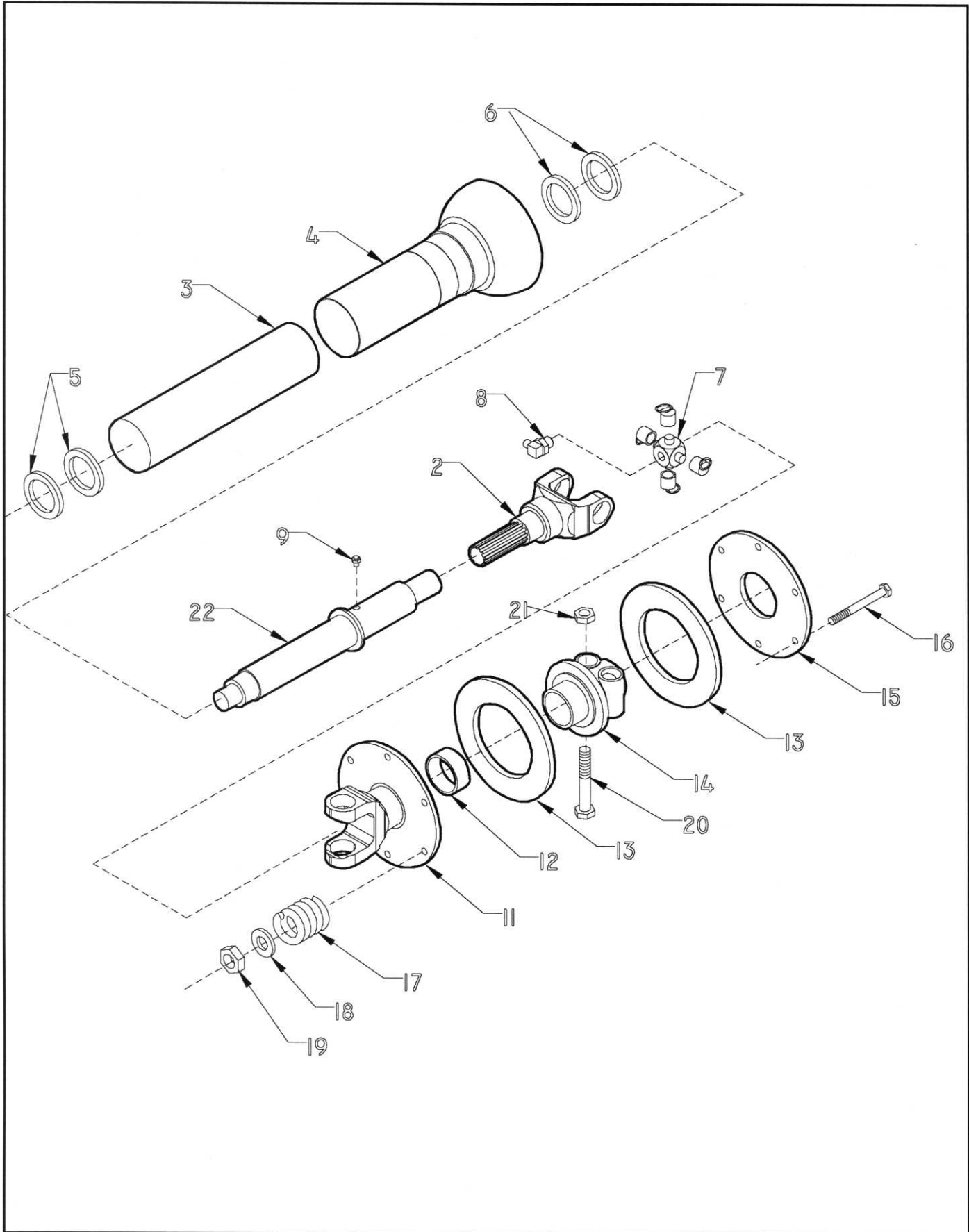
<u>Item</u>	<u>Part #</u>	<u>Description</u>	<u>Quantity</u>
1.	121397	Cylinder, Hydraulic, 3" x 8", DIL, Black, c/w D/CTRL	1
2.	141504	Elbow, 90°, 3/4" JIC (M) x 3/4" ORB (M)	6
3.	126605	Hose, Hydraulic, 3/8" x 18", 2WB, 3/4" JIC (F), SW	1
4.	126606	Hose, Hydraulic, 3/8" x 30", 2WB, 3/4" JIC (F), SW	1
5.	141108	Union, Bulkhead, 3/4" JIC (MXM), c/w Nut	2
6.	126604	Hose, Hydraulic, 3/8" x 300", 2WB, 3/4" JIC (F), SW	2
7.	121674	Cylinder, Hydraulic, 3" x 16", DIL, Black, c/w Pins	1
8.	121818	Cylinder, Hydraulic, 3-1/2" x 16", DIL, Black,	1
9.	126607	Hose, Hydraulic, 3/8" x 228", 2WB, 3/4" JIC (F), SW	4
10.	133008	Tie, Hose, Plastic, 3/32" x 9/64" x 11", Black	3
11.	118427	Nut, Hex, 5/16" UNC, Gr5, PI	9
12.	118530	Washer, Lock, 5/16", PI	9
13.	650256	Hose Clip, 2 Hose, PI	9
14.	660747	Hose Clip, 4 Hose, PI	3
15.	141514	Nipple, 1/2" NPT (M) x 3/4" JIC (M)	6
16.	141100	Adaptor, SW, 1/2" NPT (M) x 1/2" NPT (F-SW) .050 Oriface	6
17.	141601	Coupling, 1/2", Pioneer (M)	6
18.	118026	Bolt, Hex, 5/8" x 2" UNC, Gr5, PI	1
19.	118514	Washer, Flat, 5/8", PI	1
20.	143111	Holder, Hose, Flexible	1
21.	118508	Washer, Lock, 5/8", PI	1
22.	118407	Nut, Hex 5/8" UNC, Gr5, PI	1



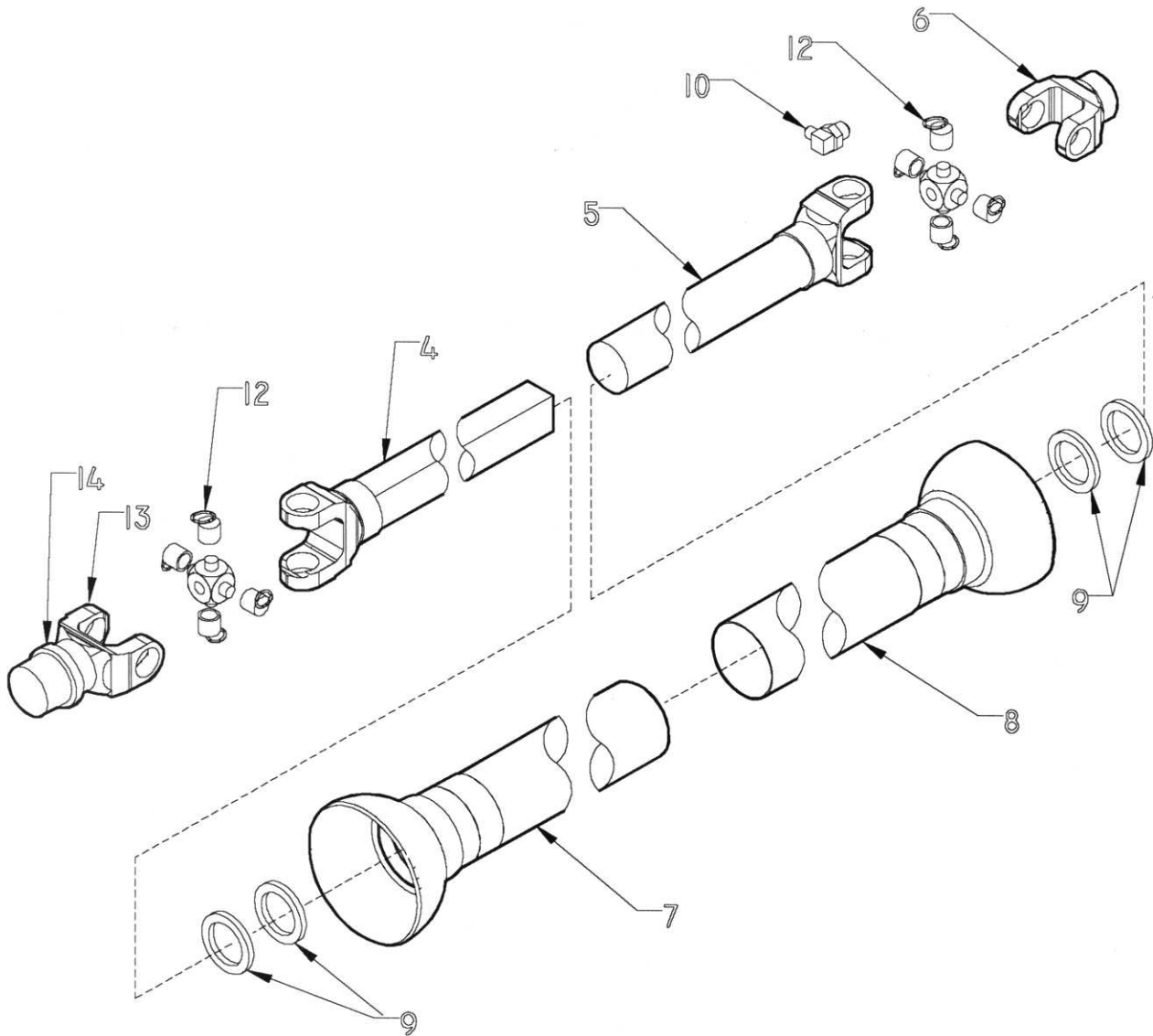
<u>Item</u>	<u>Part #</u>	<u>Description</u>	<u>Quantity</u>
1.	119265	Shaft, Slider, 28.1 LOA-Weasler 14R - 1-3/8" 21 Spline	1
2.	-----	Tie Wire (Incl. w/ part #119420)	1
3.	-----	Bolt, Hex - Drilled, 1/2" x 1-1/4" UNF (Incl. w/ part #119420)..	1
4.	-----	Washer, Flat, 1-1/2" OD x 33/64" ID x 1/4" Thick	1
5.	-----	Key, 3/8" x 5/16" x 1-3/8" Long (Incl. w/ part #119420)	1
6.	-----	Grease Fitting (Incl. w/ part #117023)	1
7.	245196	Shield, Front PTO, Yellow	1
8.	118014	Bolt, Hex, 1/2" x 2" UNC, Gr5, PI	2
9.	118512	Washer, Flat, 1/2", PI	2
10.	119420	Shaft, Drive c/w Torque Limiter, Weasler 35R47.03-58.09 ..	1
11.	118420	Nut, Lock, 1/2" UNC, Gr5, PI	2
12.	118112	Bolt, Hex, 1/2" x 3" UNC, Gr5, PI	2
13.	117090	Insert, Bearing, 1-3/8"	1
14.	117023	Bearing Unit, Pillow Block, 1-3/8"	1
15.	118504	Washer, Lock, 1/2", PI	9
16.	118405	Nut, Hex, 1/2" UNC, Gr5, PI	7
17.	118082	Bolt, Hex, 1/2" x 3-1/2" UNC, Gr5, PI	1
18.	245192	Assy, Support, Pillow Block Bearing	1
19.	118646	Bolt, Hex 16mm x 60mm UNC, Gr8.8, PI	2
20.	245197	Assy, Gearbox Holder	1
21.	118508	Washer, Lock, 5/8", PI	4
22.	118024	Bolt, Hex, 5/8" x 1-1/2" UNC, Gr5, PI	4
23.	118011	Bolt, Hex, 1/2" x 1-1/2" UNC, Gr5, PI	4
24.	122059	Sprocket, 80B15 (15 Tooth), 1-3/4" Bore - 3/8" Keyway	2
25.	119431	Gearbox, 1:1, PG906, 1-3/4" x 1-3/4" x 1-3/8", 6 SPL	1
26.	124007	Chain Tightener, Rosta c/w 80A12 Idler	2
		<i>(Consists of Items # 38-41)</i>	
27.	122061	Sprocket, 80B30 (30 Tooth), 1-15/16 Bore - 1/2" Keyway	1
28.	120040	Chain, Roller #80, 61 Link	1
29.	120002	Link, Connector, #80, STD	2
30.	120003	Link, Offset, #80, STD (If Required)	2
31.	118129	Bolt, Hex, 3/8" x 1-1/4" UNC, Gr5, PI	3
32.	118511	Washer, Flat, 3/8", PI	3
33.	120039	Chain, Roller #80, 37 Link	1
34.	245277	Key, 1/2" x 1/2" x 2-1/2"	2
35.	245276	Key, 3/8" x 3/8" x 2"	2
36.	118008	Bolt, Hex, 1/2" x 1" UNC, Gr5, PI	2
37.	245209	Assy, Side Shield, Yellow	1
38.	118435	Nut, Jam, 3/4" UNC, Gr2, PI	6
39.	122001	Sprocket, Idler, 80A12 c/w Bearing, Black	2
40.	124008	Tightener Base, Rosta, SE38	2
41.	245310	Assy, Rod, Threaded, 3/4" x 3" UNC, PI	2
42.	245203	Assy, Front Shield, Yellow	1
43.	122063	Sprocket, 80B19 (19Tooth), 1-15/16 Bore - 1/2" Keyway	1
44.	119419	Adaptor, Splined, 1-3/4" 20 Spline - 1-3/8" 21 Spline	1



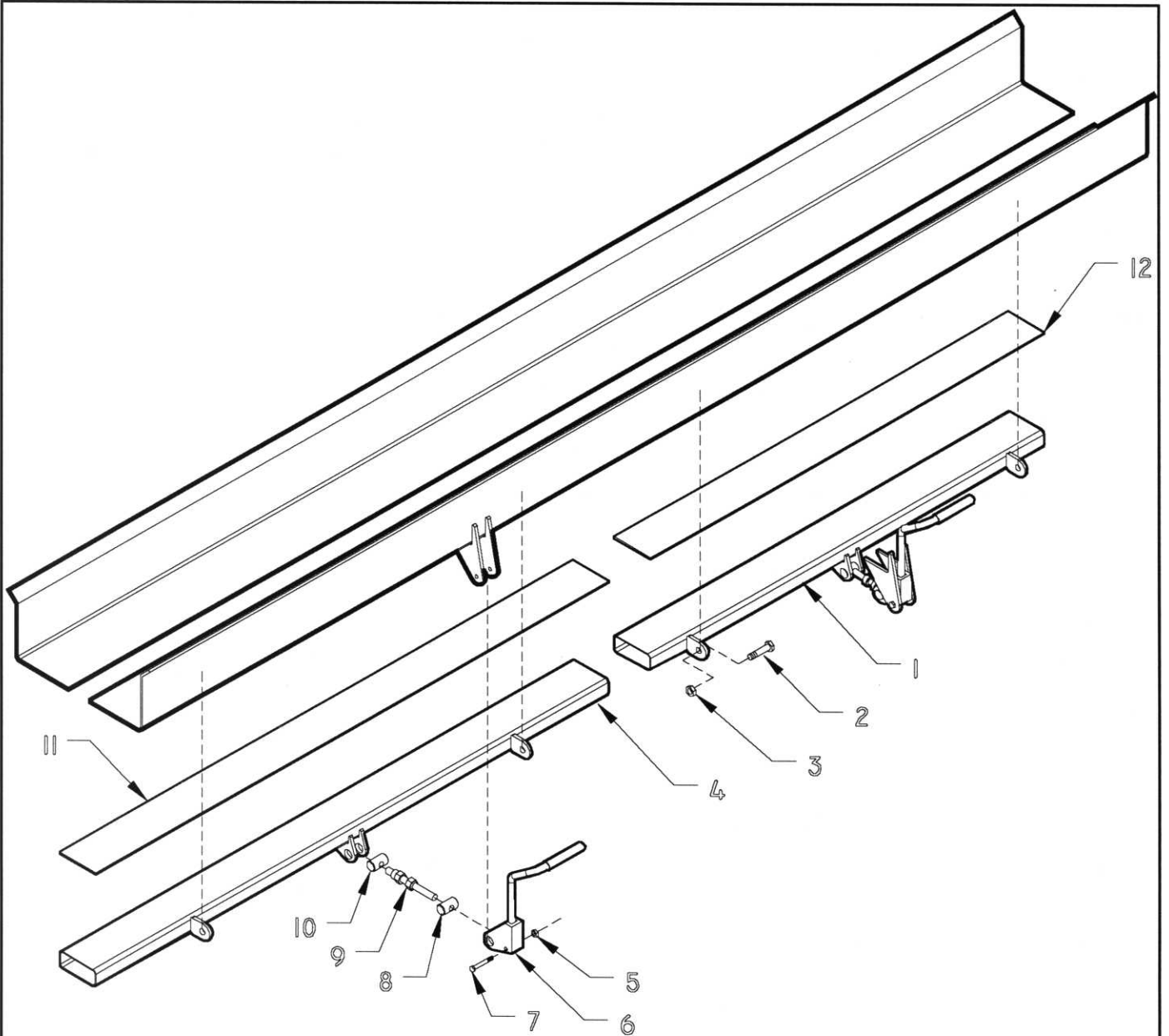
<u>Item</u>	<u>Part #</u>	<u>Description</u>	<u>Quantity</u>
1.	119432	Housing (PG# 1017)	1
2.	119433	Cover, Open, 3/8" NPT (PG# 4142-2)	1
3.	119434	Cover, Plate (PG# 4134)	1
4.	119435	Cone, Bearing, 25581	3
5.	131023	Cup, Bearing, 25520	3
6.	119436	Cone, Bearing, 3782	1
7.	119437	Cup, Bearing, 3730	1
8.	119438	Gear, 22 Tooth, (PG# 1290)	2
9.	119439	Spacer (PG# 2853)	1
10.	119440	Snap Ring, 5160-175 (PG# 1620)	3
11.	119441	Washer, 1-3/4" ID x .179 (PG# 2855)	3
12.	118187	Bolt, Hex, 3/8" x 1/2" UNC, Gr5, PI	8
13.	119442	Seal, Oil CR17678 (PG# 1488)	2
14.	119443	Seal, Oil (PG# 1489)	1
15.	119444	Shaff, Thru (PG# 4840)	1
16.	119445	Shaff, Pinion (PG# 4563)	1
17.	119446	Key, 3/8" SQ x 1.46 (PG# 1659)	2
18.	119447	Plug, Pipe, 3/8" NPT (PG# 1872)	1
19.	119448	Plug, Pipe, 1/2" NPT (PG# 1862)	1
20.	119449	Plug, Pipe, Vent, 1/2" NPT (PG# 1880)	1
21.	118005	Bolt, Hex, 3/8" x 1" UNC, Gr5, PI	8



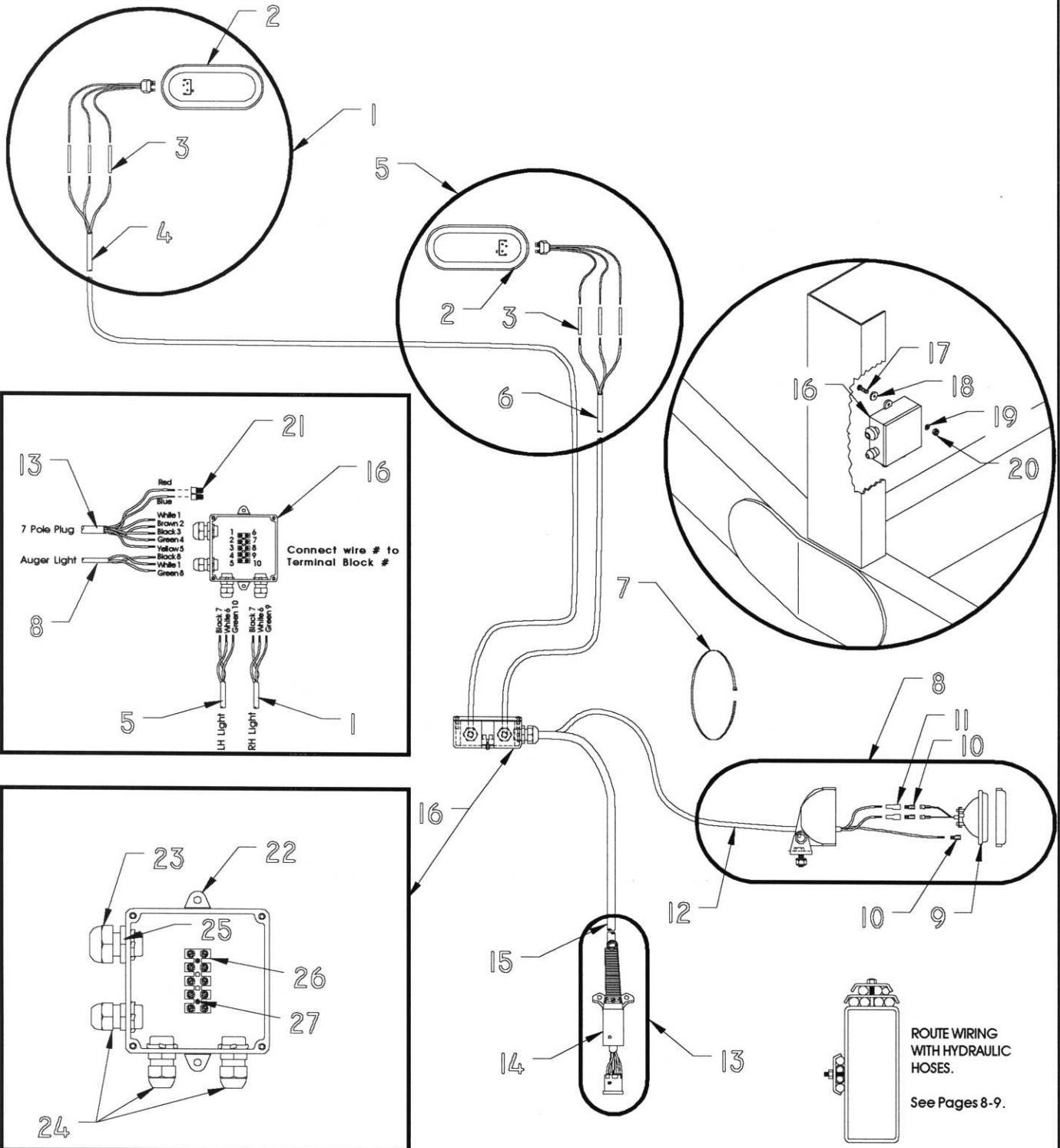
<u>Item</u>	<u>Part #</u>	<u>Description</u>	<u>Quantity</u>
1.	119420	Assy, Slider Shaft/Clutch, 1-3/8" - 6 Spl, Weasler 1 <i>(Includes Items # 2-22)</i>	
2.	119403	Assy, Yoke/Shaff - 23.06", Weasler # 99-6808 1	
3.	119422	Guard, Inner, Weasler # 96-18450 1	
4.	119405	Guard, Outer, Weasler # 97-16808 1	
5.	119407	Kit, Repair, Nylon, Weasler # 19-11106 1	
6.	119404	Kit, Repair, Nylon, Weasler # 19-11105 1	
7.	119129	Kit, Cross & Bearing 1	
8.	119262	Grease Fitting 1/8 NPT - 75 Degrees..... 1	
9.	118335	Grease Fitting 1/4 - 28 AMNF Straight Thread 1	
10.	119402	Assy, Clutch, Friction, Weasler # 26-11582 1 <i>(Consists of Items #11-21 Inclusive)</i>	
11.	119278	Assy, Yoke/Plate - TL, Weasler # 35051-1081 1	
12.	-----	Bushing, Bronze (not sold seperetely) 1	
13.	119280	Disc, Weasler # 19-44403 1	
14.	119608	Pl, Hub, 6 Spl, Clamp, Weasler # 26-10752 1	
15.	119282	Plate, Pressure - TL, Weasler # 101-1146 1	
16.	118139	Bolt, Hex, 3/8" x 4" UNC, Gr5, Pl 6	
17.	119283	Spring, Compression, TL, Weasler # 23-10037 6	
18.	119284	Guide, Spring Washer, Weasler # 11-10036 6	
19.	118417	Nut, Hex, 3/8" UNC, Gr5, Pl 6	
20.	118112	Bolt, Hex, 1/2" x 3" UNC, Gr5, Pl 2	
21.	118420	Nut, Lock, 1/2" UNC, Gr5, Pl 2	
22.	119423	Tube, Slider, Weasler # 98-18450 1	
23.	119409	Joint/Shaft/Torque Limiter/Guard Assy - Weasler #93-16808 1 <i>(Consists of Items #2, 7, 8, & 10)</i>	
24.	119410	Tube/Shaft/GuardAssembly - Weasler #92-16808 1 <i>(Consist of Items #3, 5, 9, & 22)</i>	



<u>Item</u>	<u>Part #</u>	<u>Description</u>	<u>Quantity</u>
1.	119265	Slider Shaft, Weasler, 27.7", 1-15/16" Yoke, 21 SPL	1
2.	119266	Shaft, Half-Bar c/w Guard - 21 SPL, QD	1
	119271	Shaft, Half-Bar w/o Guard - 21 SPL, QD	1
3.	119253	Shaft, Half-Tube, 1-15/16" c/w Guard	1
	119272	Shaft, Half-Tube, 1-15/16" w/o Guard	1
4.	119254	Yoke/Bar, 17.38"	1
5.	119255	Yoke/Tube 16.12" Long	1
6.	119257	Yoke, 1-15/16" Bore	1
7.	119258	Shield, Outer, PVC	1
8.	119259	Shield, Inner, PVC	1
9.	119428	Kit, Nylon Repair	2
10.	119262	Grease Fitting, 1/8" NPT - 75°	2
11.	118355	Grease Fitting, 1/4" - 28 AMNF - Straight	1
12.	119118	Kit, Cross & Bearing	2
13.	119267	Yoke, 1-3/8" - 21 SPL, QD	1
14.	119264	Kit, Repair, SPG Lock	1

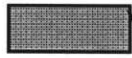
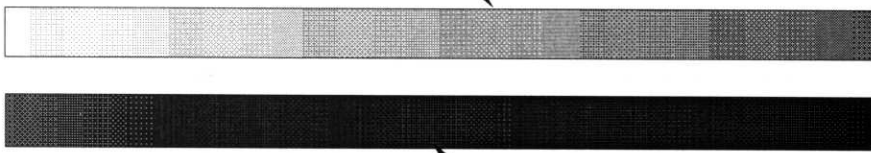


<u>Item</u>	<u>Part #</u>	<u>Description</u>	<u>Quantity</u>
1.	245257	Assy, Clean Out Tube, Short, Yellow	1
2.	118026	Bolt, Hex, 5/8" x 2" UNC, Gr5, PI	4
3.	118447	Nut, Lock, 5/8" UNC, Gr5, PI	4
4.	245263	Assy, Clean Out Tube, Long, Yellow	1
5.	118420	Nut, Lock, 1/2" UNC, Gr5, PI, Unitorq	2
6.	245246	Assy, Clean-Out Handle, Yellow	2
7.	118420	Nut, Lock, 1/2" UNC, Gr5, PI, Unitorq	2
8.	245255	Pin, 5/8" UNC, LH, PI	2
9.	245250	Assy, Threaded Rod, 5/8" UNC, RH/LH, PI	2
10.	245254	Pin, 5/8" UNC, RH, PI	2
11.	245265	Seal, Neoprene, Long	1
12.	245261	Seal, Neoprene, Short	1



<u>Item</u>	<u>Part #</u>	<u>Description</u>	<u>Quantity</u>
1.	245304	Assy, Tail Light/Wire Harness, RH	1
2.	129023	Sealed Lamp, Oval, S/T/TL, Red, DBL	2
3.	245296	Tube, Shrink, 3/16" x 2"	6
4.	245305	Wire, Electrical, 3-16 GA x 20'	1
5.	245298	Assy, Tail Light/Wire Harness, LH	1
6.	245299	Wire, Electrical, 3-16 GA x 14'-6"	1
7.	133008	Tie, Hose, Plastic, Black, 3/32" x 9/64" x 11"	3
8.	245292	Assy, Auger Light/Wire Harness	1
9.	129025	Lamp, Halogen H3, Hella, AS 115FF	1
10.	129030	Connector, Electrical, F, 16/14 GA, Non Insul	3
11.	129032	Boot, Insulating, Electrical	2
12.	245293	Cable, 3Wire, 16GA, Black/White/Green x 23' Long	1
13.	245290	Assy, Plug/Socket/Cable, 7 Pole, 20'	1
14.	129027	Plug/Socket, Electrical, 7 Pole	1
15.	245291	Cable, Electrical, 7 Wire x 20'	1
16.	245309	Junction Box, Electrical, Drilled	1
		<i>(Includes Items # 22-27)</i>	
17.	118713	Capscrew, Pan, #10-24 x 3/4"	2
18.	118588	Washer, Rubber	2
19.	118715	Washer, Flat, #10, Stainless	2
20.	118714	Nut, Lock, Nylon, #10-24, Stainless	2
21.	129036	Connector, Wire, Nut Style, Nylon Insulated, Orange	2
22.	245303	Junction Box, Drilled, 5" x 5" x 2"	1
23.	129034	Connector, Straight Cord, 0.6 ID	1
24.	129033	Connector, Straight Cord, 0.5 ID	3
25.	118717	Locknut, 1/2" NPT	4
26.	129035	Terminal Strip, 5 Connection	1
27.	118716	Screw, #8 x 1/2", Pl	2

shuttlekart
800



Degeleman



IMPORTANT

CHAIN MAINTENANCE
Lubricate and check chain tension daily. Tighten chain to remove excess slack.

ENTRETIEN DES CHAINES
Lubrifier et vérifier la tension des chaînes a chaque jour. Serrer la chaîne pour enlever le jeu excessif.

ATTENTION	CAUTION
<ol style="list-style-type: none"> 1. Lire et comprendre le manuel de l'opérateur avant de mettre la machine en marche. 2. Utiliser la cheville d'attache avec un dispositif de blocage mécanique. 3. Eloigner tout spectateur, spécialement les enfants, avant le démarrage. 4. Baisser la machine au sol, arrêter le moteur du tracteur, fixer le frein de stationnement et enlever le chef de contact avant de faire service ou tout réparation. 5. Enlever la pression avant de "travailler" sur le système hydraulique. Il faut toujours utiliser une pièce de bois ou un carton pour chercher les "fuites". 6. Reviser annuellement les instructions de sécurité. 	<ol style="list-style-type: none"> 1. Read and understand the Operator's Manual before operating. 2. Use hitch pin with a mechanical locking device. 3. Clear area of bystanders, especially small children, before starting. 4. Lower machine to ground, stop tractor engine, set park brake and remove ignition key before servicing or repairing. 5. Relieve pressure before working on hydraulic system. Use a piece of wood or cardboard when searching for leaks. 6. Review safety instructions annually.

AVERTISSEMENT
WARNING

ROTATING PART HAZARD
Can cause serious injury or death.
Keep all guards and shields in place.
Keep hands, feet and clothing away from moving parts.

PIECES EN MOUVEMENT
Peut causer de blessures graves et même mortelles.
Tenir les gardes et écran protecteurs bien en place.
Tenir les mains et pieds éloignés de tout déplacement.

DANGER

ROTATING DRIVELINE
Can cause serious injury or death.
Keep all guards and shields in place when operating.
Operate only at 1000 RPM.

LIGNE DE COMMANDE ROTATIVE
Peut causer des blessures graves et même mortelles.
Tenir toutes gardes de sécurité en place pendant que la machine est en marche.

AVERTISSEMENT
WARNING

ROTATING PART HAZARD
Can cause serious injury or death.
Keep all guards and shields in place.
Keep hands, feet and clothing away from moving parts.

PIECES EN MOUVEMENT
Peut causer de blessures graves et même mortelles.
Tenir les gardes et écran protecteurs bien en place.
Tenir les mains et pieds éloignés de tout déplacement.

DANGER

Flowing grain traps and suffocates victim in seconds! You can die in seconds in flowing grain!

WARNING

CRUSHING HAZARD
Can cause serious injury or death.
Keep limbs free of area between pivoting auger and cart frame.
Do not stand directly below auger.

WARNING

FALLING HAZARD
Can cause serious injury or death.
Never allow children to play on ladder.
Always fold ladder when not in use.

WARNING

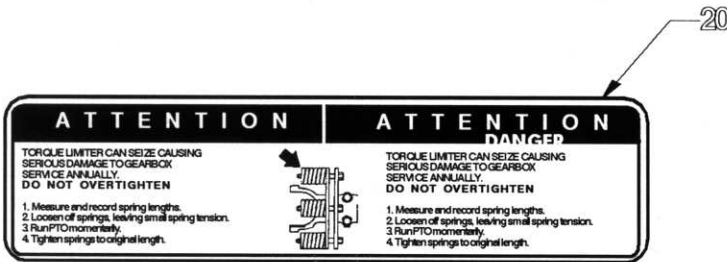
PIVOTING AUGER
Can cause serious injury or death.
Clear area of all bystanders while raising/lowering auger.
Do not stand directly below auger.

DANGER

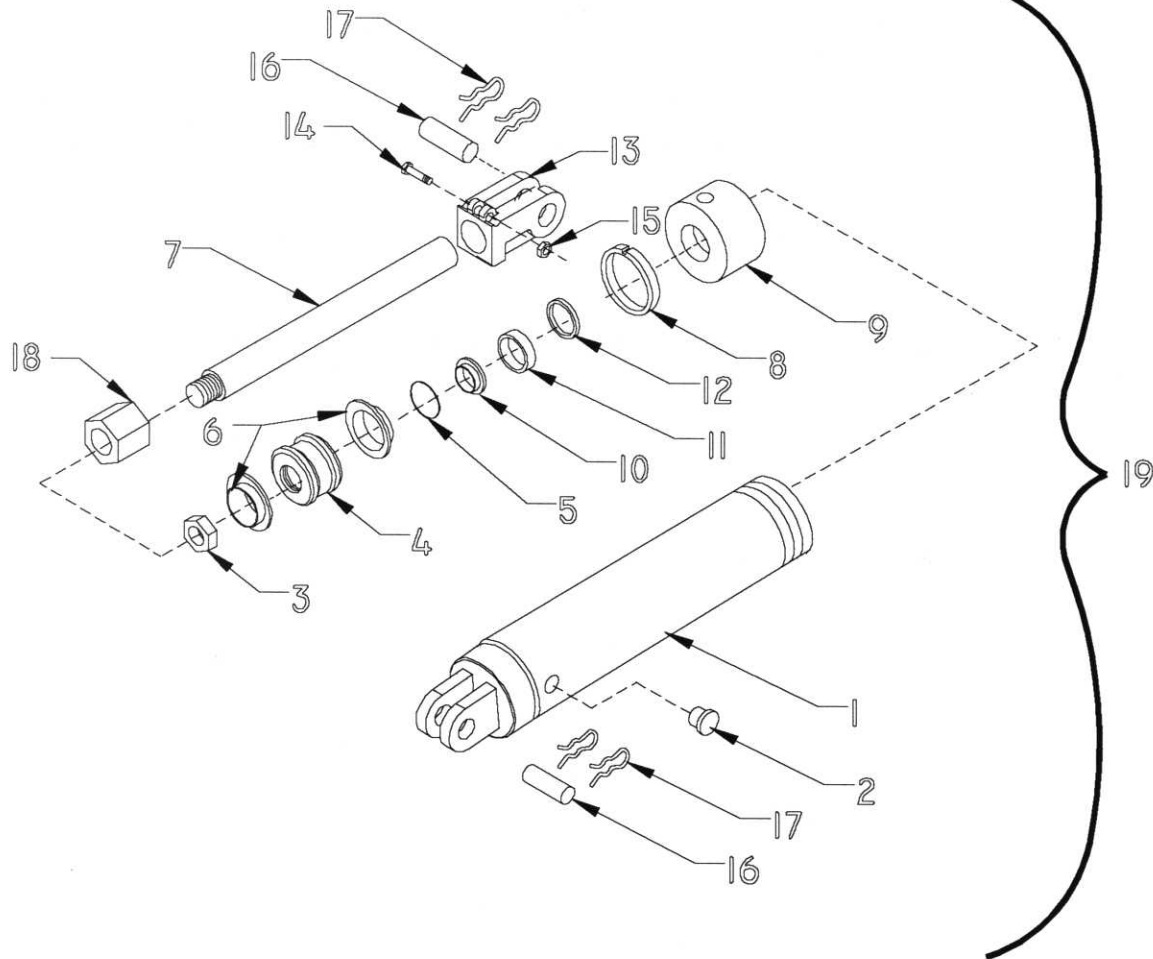
ROTATING AUGER
Can cause serious injury or death.
Keep all limbs and clothing clear of moving auger components.
Do not attempt to unlog auger while tractor is running.

WARNING

PINCHING HAZARD
Can cause serious injury.
Keep hands clear of pivoting auger while unfolding.
Clear area of all bystanders while unfolding.

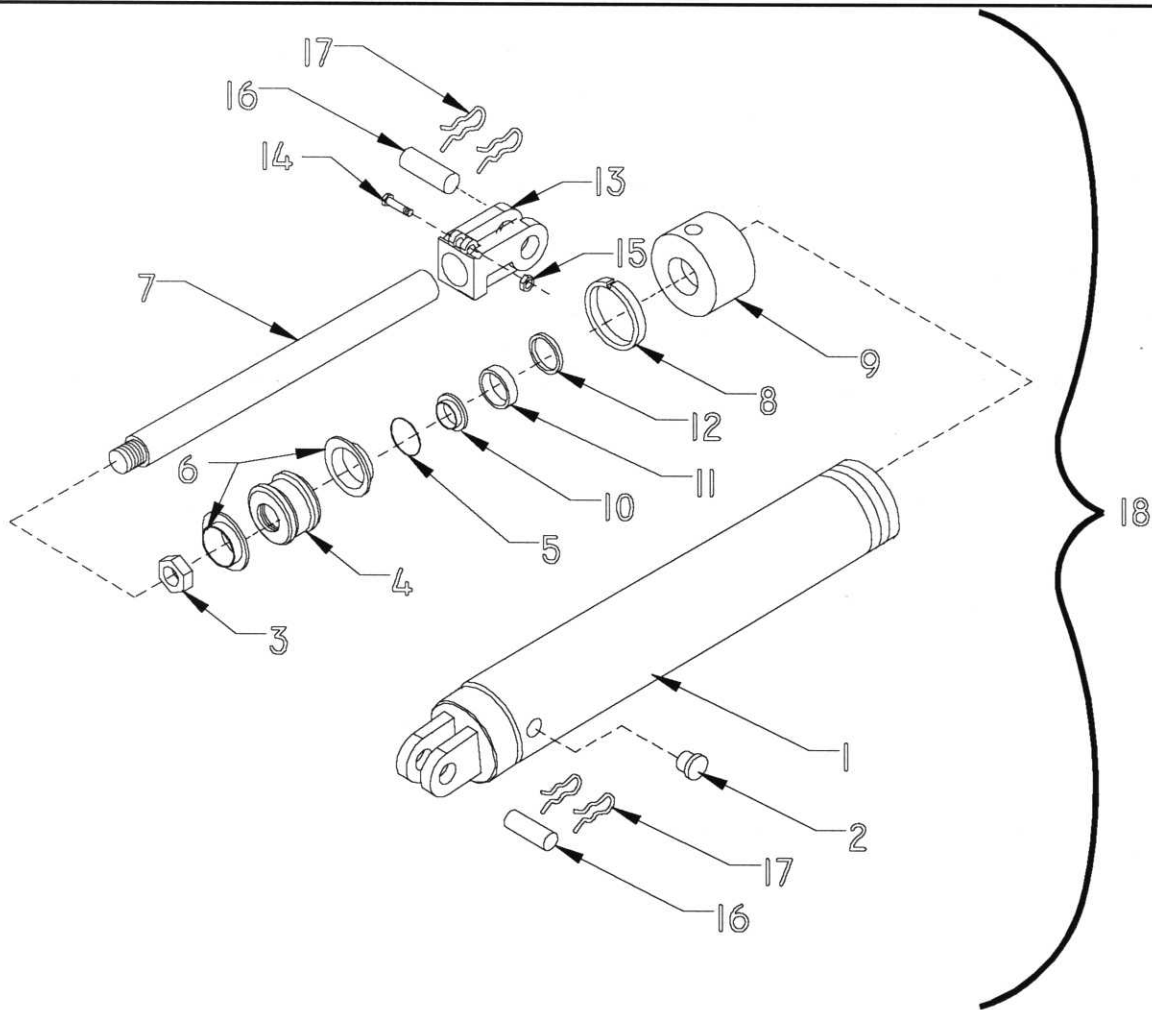


<u>Item</u>	<u>Part #</u>	<u>Description</u>	<u>Quantity</u>
1.	142486	Decal, Shuttlekart	2
2.	142487	Decal, 800	2
3.	142488	Decal, Graduated Shade, Lighter	2
4.	142489	Decal, Graduated Shade, Darker	2
5.	142279	Reflector Tape, Amber	2
6.	142280	Reflector Tape, Red	2
7.	142407	Decal, Chain Maintenance	2
8.	142008	Decal, Degelman, 6" x 25-3/4"	2
9.	142156	Decal, Slow Moving Vehicle	1
10.	142383	Decal, Caution, 6 Point	1
11.	142359	Decal, Warning - Rotating Parts - Chain	2
<i>Items # 12-13 are for PTO Drive Machines Only</i>			
12.	142373	Decal, Danger - Rotating Drive Line - 1000 PTO	2
13.	142358	Decal, Warning - Rotating Part - U-Joint	2
14.	142496	Decal, Danger, Flowing Grain	1
15.	142500	Decal, Warning, Crushing Hazard	1
16.	142501	Decal, Warning, Falling Hazard	1
17.	142502	Decal, Warning, Pivoting Auger	1
18.	142503	Decal, Warning, Rotating Auger	1
19.	142504	Decal, Warning, Pinching Hazard	1
20.	142483	Tool, Clutch Plate - "Crack Clutch Plate Before Use"	1



<u>Item</u>	<u>Part #</u>	<u>Description</u>	<u>Quantity</u>
1.	121615	Assy, Barrel, 3" x 8" Cylinder, DIL	1
2.	121326	Plug, Port, 3/4" ORB (M), Plastic	2
3.	118441	Nut, Lock, 7/8" UNF Gr5, PI, Unitorque	1
4.	121606	Piston, 3" Cylinder (U-Cup Type), DIL	1
5.	121340	O-Ring, 7/8" ID x 1/16", #20	1
6.	121347	U-Cup, 2-1/2" ID x 3" OD	2
7.	121618	Rod, Cylinder, 3" x 8", DIL	1
8.	121745	Ring, Lock, 3" Cylinder, DIL	1
9.	121624	Cap, Open, 3" Cylinder, 1-1/4" Rod, DIL	1
10.	121348	U-Cup, 1-1/4" ID x 1-5/8" OD	1
11.	121349	Wiper, Rod, 1-1/4" ID x 1-5/8" OD	1
12.	121346	O-Ring, 3-3/8" ID x 1/8", #237	1
13.	121608	Clevis, Rod, 1-1/4", 12UNF, DIL	1
14.	118136	Bolt, Hex, 3/8" x 1-1/2" UNC, Gr5, PI	1
15.	118403	Nut, Hex, 3/8" UNC, Gr5, PI	1
16.	121941	Pin, 1" DIA x 2-7/8" EFF, PI, N/Drilled	2
17.	118882	Pin, Hair, 3/16" x 2-3/4" PI N/D Pin	4
18.	121642	Assy, Depth Control, DIL Cylinder, PI	1
19.	121397	Assy, Hydraulic Cylinder, 3" x 8" c/w pins & DC	1

Includes Items #1-18



<u>Item</u>	<u>Part #</u>	<u>Description</u>	<u>Quantity</u>
1.	121672	Assy, Barrel, 3" x 16" Cylinder, DIL	1
2.	121326	Plug, Port, 3/4" ORB (M), Plastic	2
3.	118441	Nut, Lock, 7/8" UNF Gr5, PI, Unitorque	1
4.	121606	Piston, 3" Cylinder (U-Cup Type), DIL	1
5.	121340	O-Ring, 7/8" ID x 1/16", #20	1
6.	121347	U-Cup, 2-1/2" ID x 3" OD	2
7.	121658	Rod, Cylinder, 3" & 3-1/2" x 16", DIL	1
8.	121745	Ring, Lock, 3" Cylinder, DIL	1
9.	121607	Cap, Open, 3" Cylinder, 1-1/2" Rod, DIL	1
10.	121335	U-Cup, 1-1/2" ID x 1-7/8" OD	1
11.	121333	Wiper, Rod, 1-1/2" ID x 1-7/8" OD	1
12.	121346	O-Ring, 3-3/8" ID x 1/8", #237	1
13.	121608	Clevis, Rod, 1-1/4", 12UNF, DIL	1
14.	118136	Bolt, Hex, 3/8" x 1-1/2" UNC, Gr5, PI	1
15.	118403	Nut, Hex, 3/8" UNC, Gr5, PI	1
16.	121941	Pin, 1" DIA x 2-7/8" EFF, PI, N/Drilled	2
17.	118882	Pin, Hair, 3/16" x 2-3/4" PI N/D Pin	4
18.	121674	Assy, Hydraulic Cylinder, 3" x 16" c/w pins	1

