

# hi-lift picker

R570H

Hydraulic Motor Drive Kit

## Parts/Assembly Manual

EFFECTIVE DATE:  
APRIL, 1997



***Degelman***

142505

<b>Assembly .....</b>	<b>2</b>
<b>Parts .....</b>	<b>4</b>

Read and understand the Operator's Manual before operating this machine.

**NOTE:** There is a left and right trailer wheel assembly. The right side is pictured, the left side is opposite. "Right Hand" (RH) and "Left Hand" (LH) sides are determined by facing in the direction of forward travel.

Degelman Industries Ltd. reserves the right to make alterations and/or improvements to its products at any time without incurring any obligations to make such changes to products previously manufactured.

Follow the sequence of steps contained in this manual to assist in setting up the 50 ft. and 70 ft. Harrow Drawbar.

Use care and caution when handling components to prevent personal injury.



*This safety alert symbol identifies important safety messages. When you see this symbol be alert to the possibility of personal injury and carefully read the message that follows.*

**WE PROVIDE**

- complete operating instructions
- complete repair parts lists
- written warranty protection
- ten year parts availability

If any questions arise related to the replacement parts or assembly of this machine, please feel free to contact the manufacturer. Direct inquiries to:

Degelman Industries Ltd.  
P. O. Box 830  
272 Industrial Drive  
Regina, Saskatchewan  
S4P 3B1 Canada

Telephone: (306) 543-4447  
Toll Free: 1-800-667-3545  
FAX: (306) 543-2140



Printed in Canada April, 1997

### MACHINE PREPARATION

1. Position the rock picker on a hard flat surface and block the right side wheel.
2. Jack up the rear left corner and block properly before removing left side wheel.
3. If the rock picker has been in operation, remove the drive chain and any component in the area that may interfere with the hydraulic motor kit installation (Including chain shields).

### HYDRAULIC MOTOR INSTALLATION

4. Refer to Figure 1. Using 5/8" x 2" bolts shown, attach mount assembly to baseplate located between parallel frame members on the left side of the machine.
5. Refer to Figure 2. Using 1/2" x 2" capscews shown, attach hydraulic motor to motor mount assembly in orientation shown.
6. Refer to Figure 3. Place woodruff key into slot on motor shaft and slide 12 tooth tapered bore sprocket into place as shown. Secure sprocket in place with slotted nut and cotter pin shown.

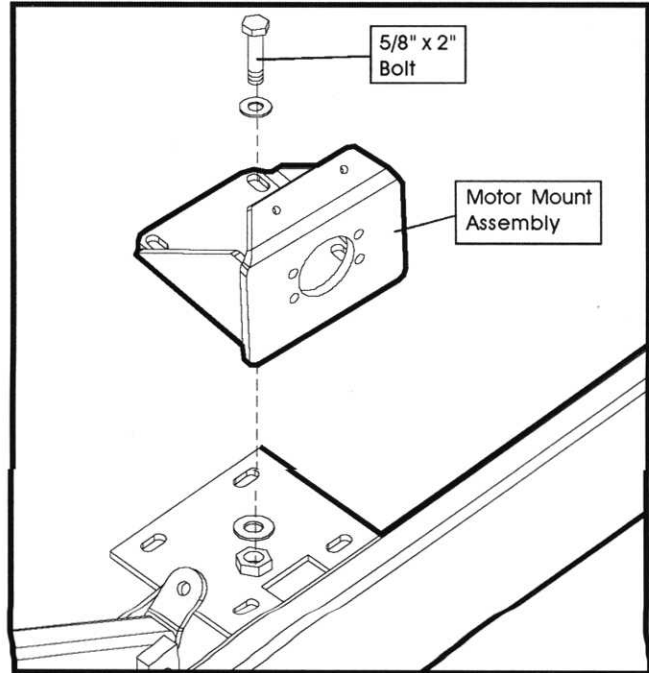


FIGURE 1

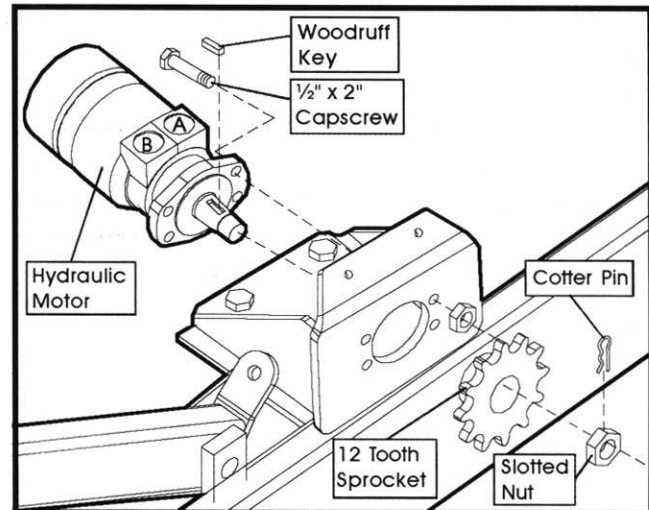


FIGURE 2

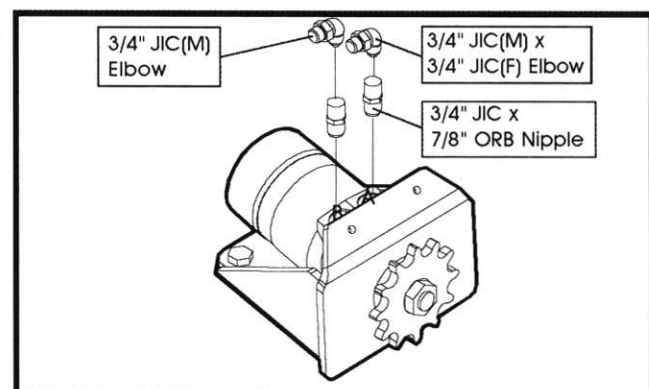
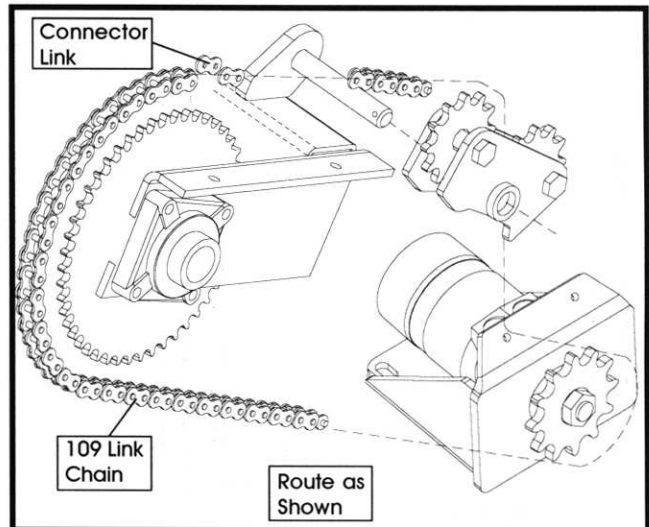


FIGURE 3

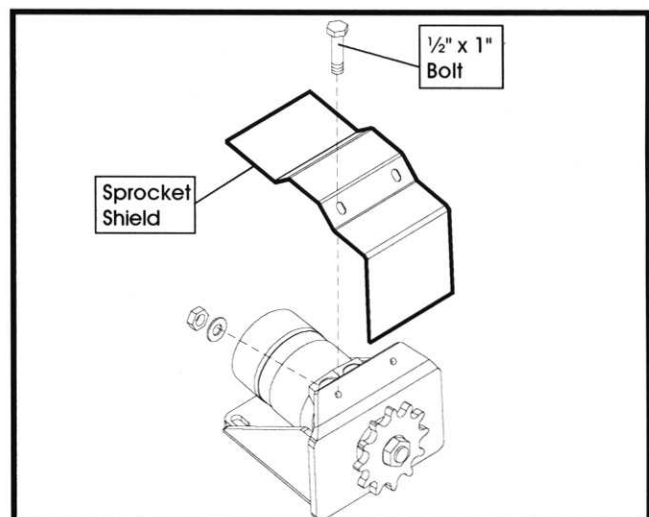
7. Refer to Figure 3. Attach 3/4" JIC x 7/8" ORB Nipples to hydraulic motor ports as shown.
8. Refer to Figure 3. Attach 3/4" JIC (M) elbow to nipple in Port B as shown. Attach 3/4" JIC (M) x 3/4" JIC(F) elbow to nipple in port A as shown.

9. Refer to Figure 5. Route 109 Link #80 Roller chain through reel sprocket, chain tightener assembly and hydraulic motor sprocket as shown. Use connector link supplied to join the ends.

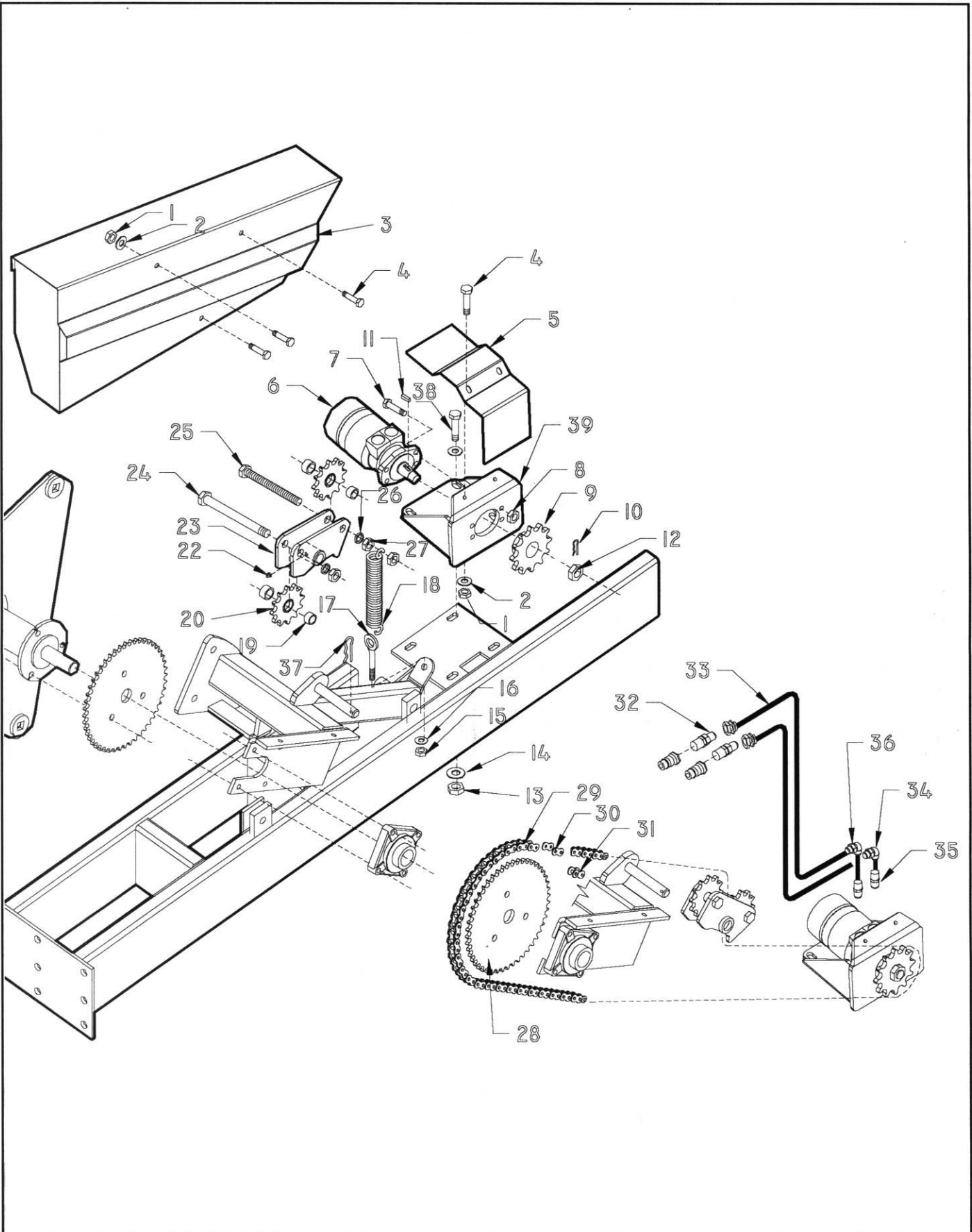


**FIGURE 5**

10. Refer to Figure 6. Attach hydraulic motor sprocket shield using  $\frac{1}{2}$ " x 1" bolts as shown. Re-attach large chain shield.



**FIGURE 6**



**Hydraulic Drive Kit**

Effective Date: November, 1995

**Parts List****hi-lift picker**  
106571000

<u>Item</u>	<u>Part #</u>	<u>Description</u>	<u>Quantity</u>
1.	118405	Nut, Hex, 1/2" UNC, Gr5, PI .....	5
2.	118504	Washer, Lock, 1/2", PI .....	5
3.	253001	Assembly, Drive Shield, Yellow .....	1
4.	118008	Bolt, Hex, 1/2" x 1" UNC, Gr5, PI .....	5
5.	226643	Shield, Hydraulic Motor Sprocket, Yellow .....	1
6.	226632	Motor, Hydraulic, Ross, 18 cu in, c/w Cross Port Relief .....	1
7.	118709	Capscrew - Socket Flat Head, 1/2" x 2" UNF, Gr5 .....	4
8.	118710	Nut, Dbhex, Lock, 1/2" UNF, Gr8, PI .....	4
9.	241156	Sprocket #80 12 Tooth - Tapered Bore .....	1
10.	118892	Pin, Cotter, 5/32" x 2" .....	1
11.	226600	Key, Woodruff, #1008 .....	1
12.	118491	Nut, Hex, Slot, 1" - 20 UNF .....	1
13.	118407	Nut, Hex, 5/8" UNC, PI .....	4
14.	118508	Washer, Lock, 5/8", PI .....	4
15.	118448	Nut, Lock, 5/8" UNC, PI .....	1
16.	118514	Washer, Flat, 5/8", PI .....	1
17.	118240	Bolt, Eye, 5/8" x 5-1/4", UNC, PI .....	1
18.	143027	Spring, Chain Tightener .....	1
19.	222041	Bushing, Spacer .....	4
20.	122001	Assy, Idler Sprocket .....	2
22.	118335	Grease Fitting, 1/4 AMNF Straight .....	1
23.	250544	Assy, Chain Tightener Frame .....	1
24.	118052	Bolt, Hex, 3/4" x 3 1/2" UNC, Gr5, PI .....	1
25.	250548	Support, Sprocket Shaft/Spring, 3/4" x 4-1/2" .....	1
26.	118509	Washer, Lock, 3/4", PI .....	2
27.	118410	Nut, Hex, 3/4" UNC, PI .....	2
28.	122015	Sprocket 80A48 - 3 Hole - 4 3/4" Bore .....	1
29.	120015	Chain, Roller, #80 - 109 Link .....	1
30.	120002	Link, Connector, #80 - STD .....	1
31.	120003	Link, Offset, #80 - STD .....	1
32.	141514	Nipple, 1/2" NPT (M) x 3/4" JIC (M) .....	4
33.	126571	Hose, 1/2" x 156 2WB, 3/4" JIC (F) SW .....	2
34.	141518	Elbow, 90°, 3/4" JIC (M) x 3/4" JIC (F) SW .....	1
35.	141539	Nipple, 3/4" JIC (M) x 7/8" ORB (M) .....	2
36.	141513	Elbow, 90°, 3/4" JIC (M) .....	1
37.	118838	Pin, Cotter, 1/4" x 1-1/2" .....	1
38.	118026	Bolt, Hex, 5/8" x 2" UNC, Gr5, PI .....	4
39.	226640	Assy, Hydraulic Motor Mount, Yellow .....	1

# ***Degelman***

## **WE PROVIDE**

- **complete operating instructions.**
- **complete repair parts lists.**
- **written warranty protection.**
- **ten year parts availability.**

**————— Quality in Equipment —————**

**BEST IN THE FIELD WHERE IT COUNTS . . .**