

# ***Degelman***

**Super Picker  
6800**



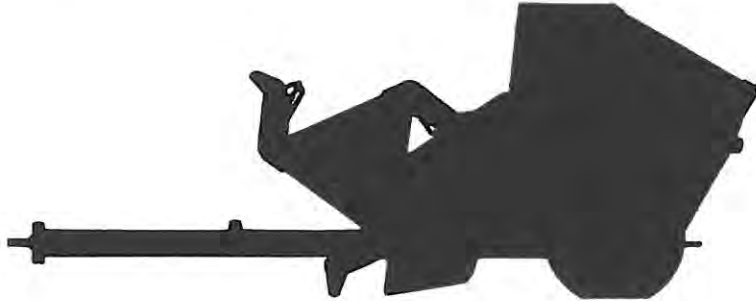
**PARTS  
MANUAL**

142349

JAN 91

***farm implements***

# INTRODUCTION



When ordering replacement parts be sure to include the machine Model Number and Serial Number along with the Part Number, Description and Quantity of component required.

"Right Hand" (RH) and "Left Hand" (LH) sides are determined by facing in the direction of forward travel.

This manual contains both Imperial Units of measure (inches-in./feet-ft.) and SI Metric Units of measure (millimetres-mm/metres-m).

Record for handy reference the machine model number, serial number and date of purchase to assist your dealer in providing you with prompt and efficient service. For your convenience, a space is provided for recording this information.

Model No. \_\_\_\_\_

Serial No. \_\_\_\_\_

Date of Purchase \_\_\_\_\_

If any questions arise related to the replacement parts of this machine, please feel free to contact the manufacturer. Direct inquiries to :

**Degelman Industries Ltd.**

P. O. Box 830

272 Industrial Drive

Regina, Saskatchewan

S4P 3B1

Canada

Telephone: (306) 543-4447

FAX: (306) 543-2140

**Degelman Industries Ltd.** reserves the right to make alterations and/or improvements to its products at any time without incurring any obligations to make such changes to products previously manufactured.

**Printed in Canada**

# CONTENTS

## BASIC COMPONENTS

- Frame Components	2
- Grille/Flange Bearing & Chain Tightener Components	3
- Hopper Box & Rock Guard Components	4
- Reel & Paddle Components	6
- Hitch Pole Components	7
- Hub & Spindles	8
- Wheel & Hub Units	10
- Chain Tightener	11

## HYDRAULIC LAYOUTS & COMPONENTS

- Machines equipped with MANUAL ANGLING on Hitch Pole	12
- Machines equipped with HYDRAULIC ANGLING on Hitch Pole	13
- Machines equipped with HYDRAULIC ANGLING on Hitch Pole and SELECTOR VALVE	14
- Manual Angling Unit	16
- Hydraulic Cylinder 3 x 8 in. Stroke-DIL	17
- Hydraulic Cylinder 3 x 31 in. Stroke-DIL	18

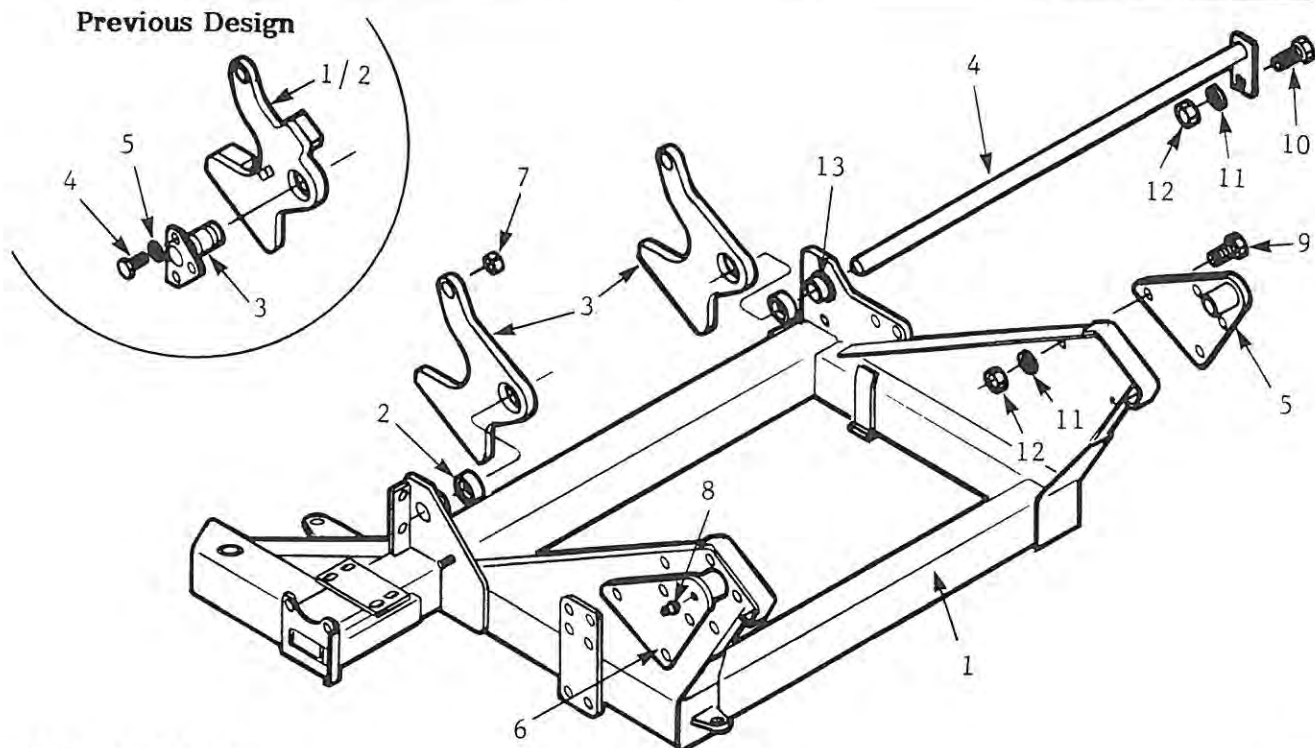
## DRIVE SYSTEMS & COMPONENTS

- Ground Drive Layout	19
- Clutch Unit	20
- Hydraulic Cylinder 1 3/8 x 1 1/2 in. Stroke-DIL	21
- PTO Drive Layout	22
- Gear Box 6.66:1 - Hub City	24
- Drive Line c/w Constant Velocity Joint-Weasler (540/1000 PTO with CV System)	26
- Drive Shaft c/w Torque Limiter-Weasler (540/1000 PTO with CV System)	27
- Slider Shaft c/w Quick Disconnect-Weasler-14NW (540 PTO w/o CV System)	28
- Drive Shaft c/w Torque Limiter-Weasler (540 PTO w/o CV System)	29
- Hydraulic Motor Drive Layout	30
- Hydraulic Motor - Charlynn	32

## MISCELLANEOUS

- Hydraulic Hose Holder, Clips & Hose Ties	33
- Safety Shields	34
- Decals	36
- Publications	38
- Safety Chain	39

## FRAME COMPONENTS

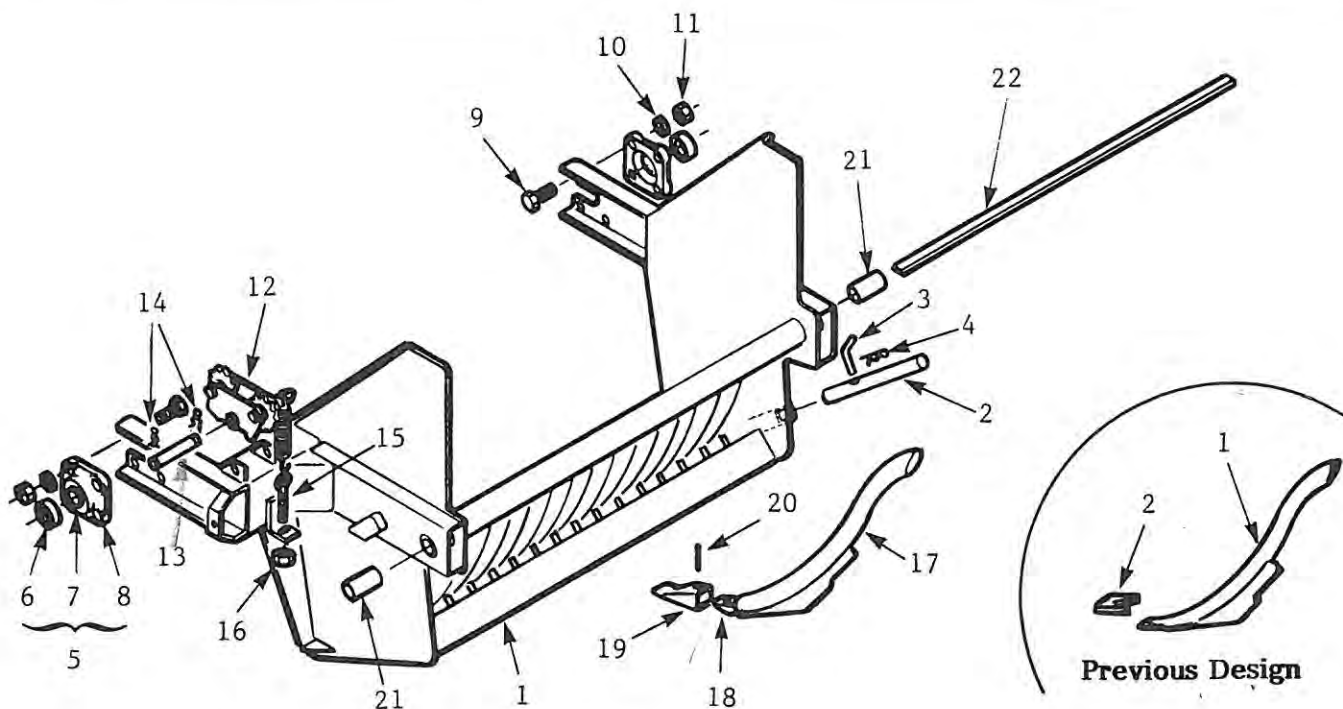


ITEM	PART No.	DESCRIPTION	QTY.
1	240761	Frame Assembly - RP/S4-6801	1
2	240499	Bushing 101.6 OD x 88.5 ID x 25mm long-Nylatron	2
3	241018	Floatation Assembly - 6800	1
4	241021	Pin Assembly 57.2 dia. x 1755mm (effective)	1
5	240502	Plate, Pivot Assembly - RH-RP/S4	1
6	240503	Plate, Pivot Assembly - LH-RP/S4	1
7	117111	Bushing 1 1/2 OD x 1/8 Wall x 1 in. long-Spring Steel	2
8	118335	Grease Fitting 1/4-28 AMNF-Straight	2
9	118024	Bolt, Hex 5/8 x 1 1/2 in. UNC, Gr5, Plated	8
10	118026	Bolt, Hex 5/8 x 2 in. UNC, Gr5, Plated	1
11	118508	Washer, Lock 5/8 in. Plated	9
12	118407	Nut, Hex 5/8 in. UNC, Gr5, Plated	9
13	240448	Bushing, Hub - Frame - 6800 (2 1/4 in. ID nominal)-Weld-on	2

### Previous Design

1	240508	Floatation Assembly - RH-RP/S4	1
2	240509	Floatation Assembly - LH-RP/S4	1
3	240512	Pin Assembly 72 dia. x 245mm (effective)-Hardened	2
4	118186	Bolt, Hex 1/2 x 1 1/4 in. UNC, Gr8, Plated	6
5	118504	Washer, Lock 1/2 in. Plated	6

**GRILLE/FLANGE BEARING & CHAIN TIGHTENER COMPONENTS**



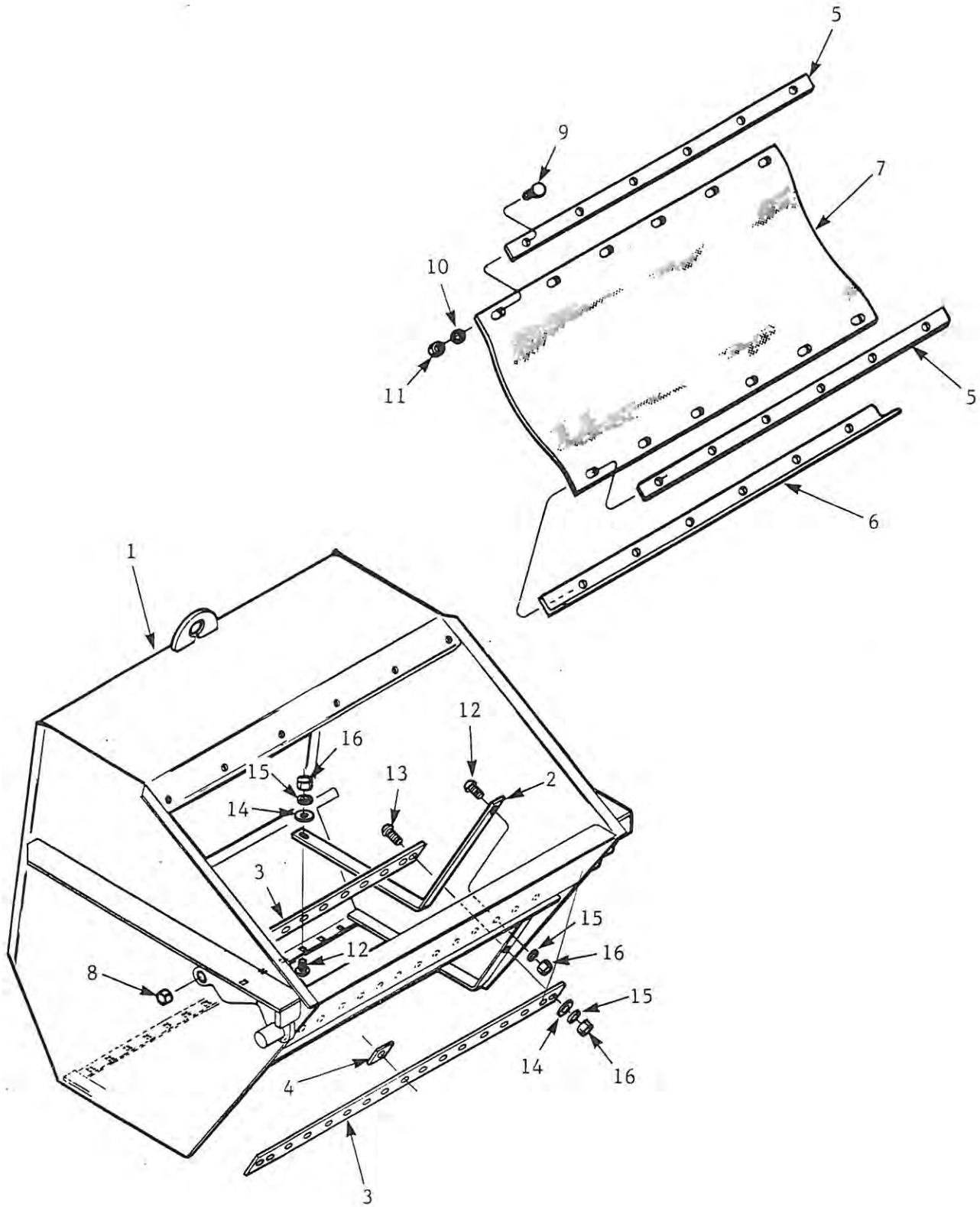
ITEM	PART No.	DESCRIPTION	QTY.
1	240581	Grille Assembly - 6800	1
2	240278	Shaft, Transport Lock - RP/S2-Red	1
3	240277	Pin 20 x 54mm long (effective)-Red	1
4	118830	Pin, Hair 4.5 x 83mm-Plated	1
5	117018	Bearing Unit, Flange - 4 Hole-1 15/16 in.	2
6	117016	Collar, Lock 1 15/16 in. Bearing	1
7	117015	Insert, Bearing 1 15/16 in.	1
8	117017	Casting, Flange - 4 Hole-1 15/16 in. Bearing	1
9	118026	Bolt, Hex 5/8 x 2 in. UNC, Gr5, Plated	8
10	118508	Washer, Lock 5/8 in. Plated	8
11	118407	Nut, Hex 5/8 in. UNC, Gr5, Plated	8
12	240541	Chain Tightener Assembly - 6800 c/w Spring	1
13	121946	Pin 25.4 x 135mm (effective)-Plated-N/D	1
14	118882	Pin, Hair 3/16 x 2 3/4 in.-Plated-N/D	2
15	118240	Bolt, Eye 5/8 x 5 1/4 in. UNC, Gr5, Plated	1
16	118448	Nut, Lock 5/8 in. UNC, Gr5, Plated	1
17	241008	Tooth Assembly - Grille - 6800 (weld-on)	15
18	240925	Cast Stub - Grille Tooth (weld-on)	15
19	240927	Cast Tip - Grille Tooth	15
20	118857	Pin, Roll 3/8 x 2 in.	15
21	117121	Bushing 72.77 OD x 57.66 ID x 101mm-Nylatron	2
22	241013	Bar 4.8 x 25.4 x 1422mm	1

**Previous Design**

1	240553	Tooth Assembly - 6800 (weld-on)	15
2	240395	Tooth, Grille Tip	15

**NOTE:** Remove Items #21 and #22 to fit previous models which have the two short grille pins (See Previous Design on Page #2)

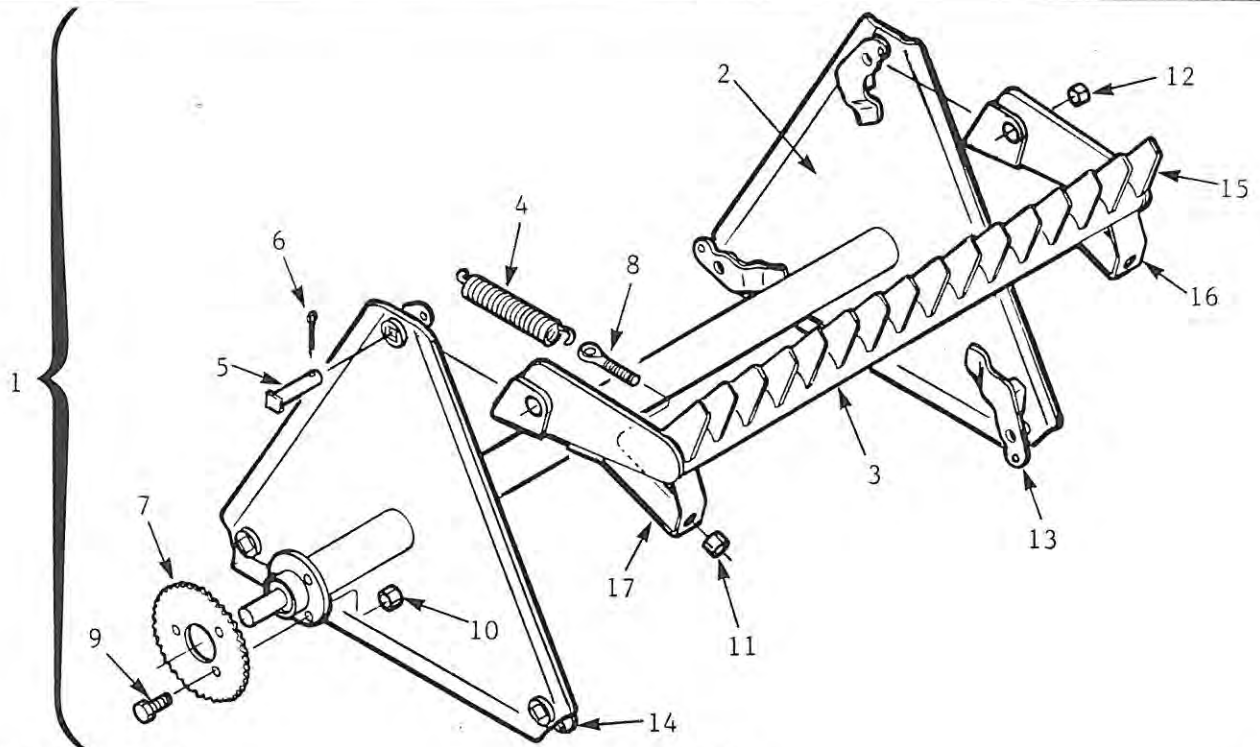
HOPPER BOX & ROCK GUARD COMPONENTS



**HOPPER BOX & ROCK GUARD COMPONENTS**

ITEM	PART No.	DESCRIPTION	QTY.
1	240478	Box, Hopper - RP/S4-6800	1
2	240419	Strap, Box - RP/S3-9 x 50 x 1376mm	1
3	240423	Bar, Bolt - 17 Hole-43 & 95mm hole centres	2
4	240156	Bar, Spacer - 1 Hole-9 x 42 x 50mm long	15
5	240495	Bar, Bolt - 6 Hole-280mm hole centres	2
6	240496	Angle, Bolt - 6 Hole-280mm hole centres	1
7	240497	Flap, Rock 915 x 1560mm	1
8	117111	Bushing 1 1/2 OD x 1/8 Wall x 1 in. long-Spring Steel	2
9	118136	Bolt, Hex 3/8 x 1 1/2 in. UNC, Gr5, Plated	12
10	118503	Washer, Lock 3/8 in. Plated	12
11	118403	Nut, Hex 3/8 in. UNC, Gr5, Plated	12
12	118218	Bolt, Carriage 1/2 x 1 1/2 in. UNC, Gr5, Plated	28
13	118219	Bolt, Carriage 1/2 x 2 in. UNC, Gr5, Plated	17
14	118512	Washer, Flat 1/2 in. Plated	31
15	118504	Washer, Lock 1/2 in. Plated	45
16	118405	Nut, Hex 1/2 in. UNC, Gr5, Plated	45

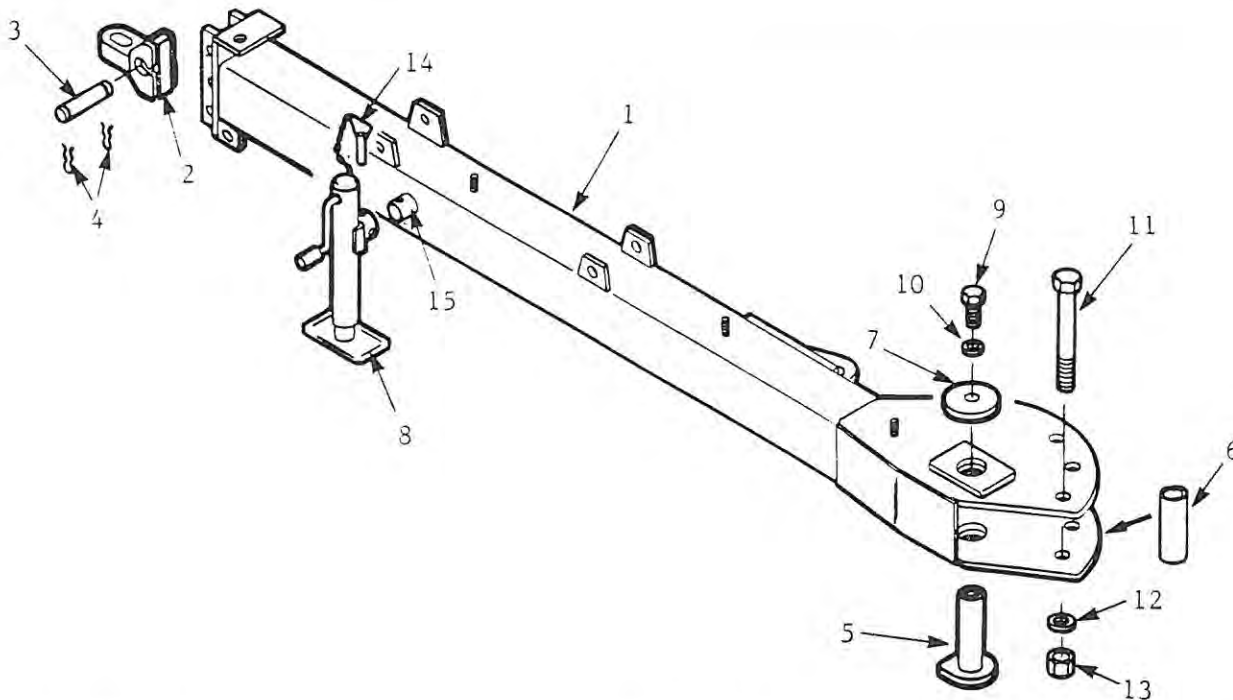
REEL & PADDLE COMPONENTS



ITEM	PART No.	DESCRIPTION	QTY.
1	240475	Reel Shaft/Paddle Assembly - 6800	1
2	240457	Shaft, Reel-Assembly - 3 Paddle-RP/S4	1
3	240463	Paddle Assembly - Round-RP/R	3
4	143005	Spring, Tension 10 3/4 in. x 18 Coil	6
5	118801	Pin, Square Head 1 x 2 3/4 in. (effective)	6
6	118838	Pin, Cotter 1/4 x 1 1/2 in.	6
7	122046	Sprocket 80A48 - 3 Hole-4 3/4 in. Bore	1
8	118241	Bolt, Eye 3/4 x 5 1/4 in. UNC, Gr5, Plated	6
9	118269	Bolt, Hex 3/4 x 2 in. UNF, Gr8, Plated	3
10	118466	Nut, Lock 3/4 in. UNF, Gr8, Plated	3
11	118422	Nut, Lock 3/4 in. UNC, Gr5, Plated	6
12	117114	Bushing 1 1/4 OD x 1/8 Wall x 1 1/4 in. long-Spring Steel	6
<b>Weld-on Replacement Parts</b>			
13	209030	Ear, Spring-Assembly - RH	3
14	209040	Ear, Spring-Assembly - LH	3
15	240470	Paddle Tooth - Round-16mm c/w Hard Surfacing	48
16	240473	Brace, Spring - RH-Round Paddle	3
17	240474	Brace, Spring - LH-Round Paddle	3

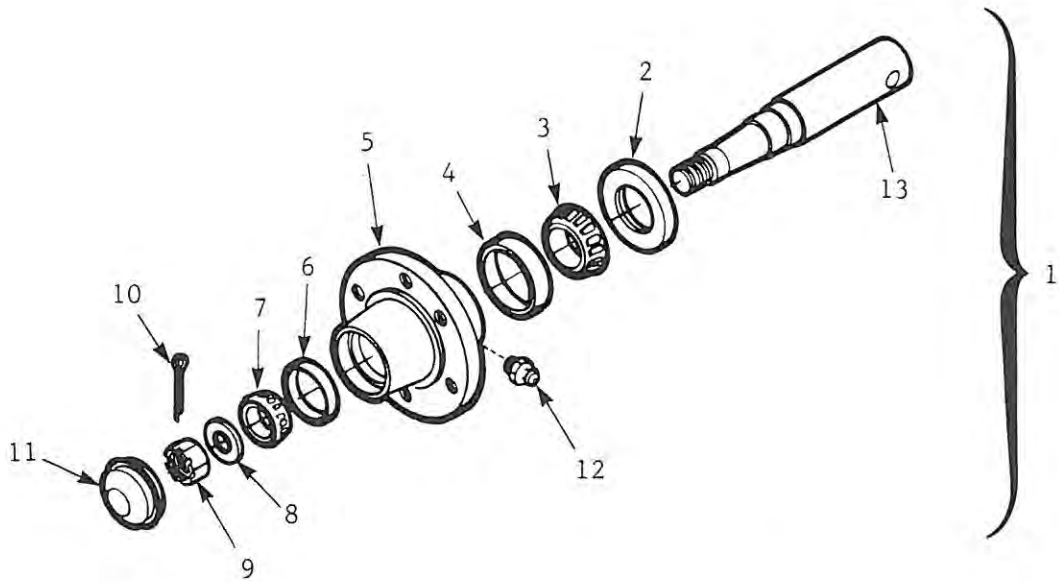


## HITCH POLE COMPONENTS

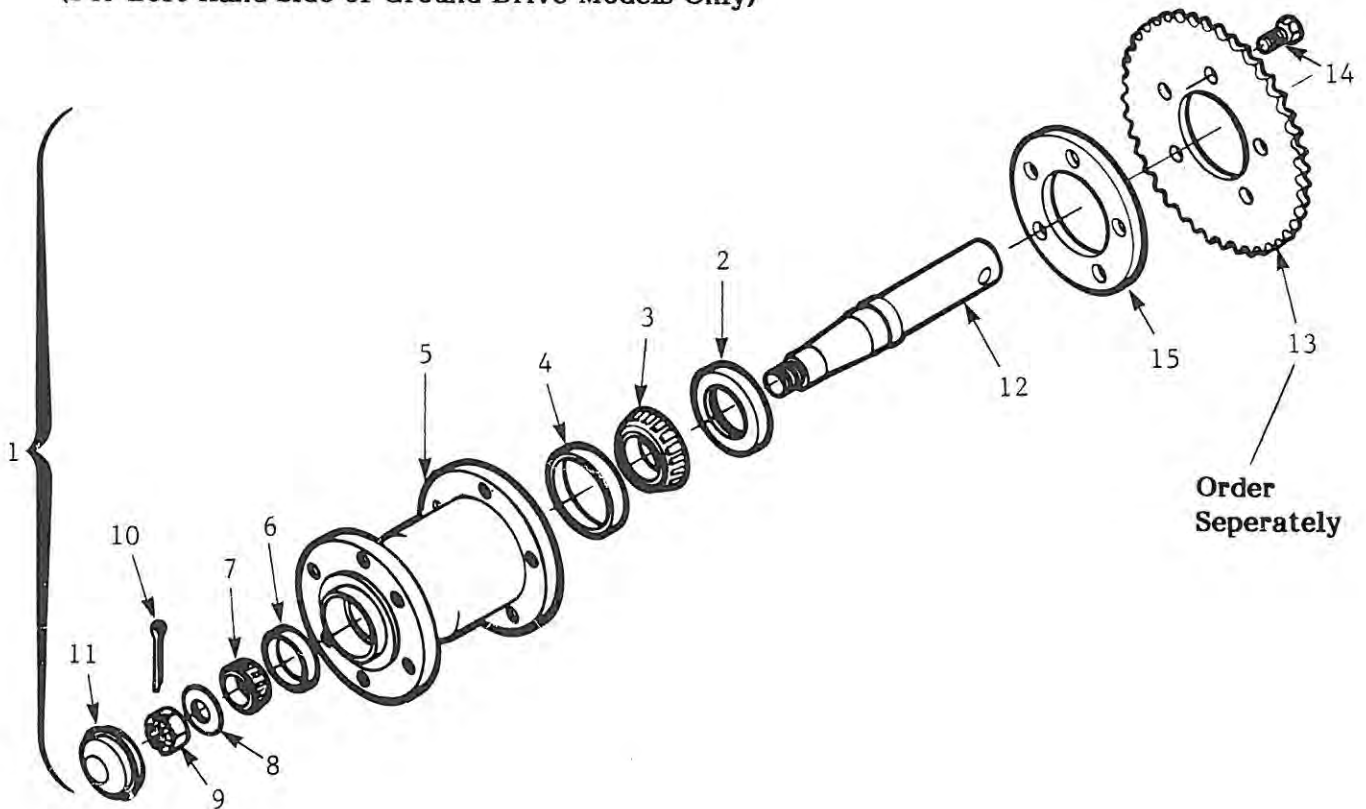


ITEM	PART No.	DESCRIPTION	QTY.
1	240516	Pole Assembly - RP/S4-6800	1
2	240208	Lug, Hitch Assembly	1
3	121944	Pin 25.4 x 110mm (effective)-Plated-N/D	1
4	118882	Pin, Hair 3/16 x 2 3/4 in.-Plated-N/D	2
5	240042	Pin Assembly 52 x 205mm long (effective)	1
6	240094	Bushing 39.7 OD x 6.4 Wall x 154mm long	2
7	229030	Washer, Flat 20 ID x 102 OD x 9mm	1
8	132005	Jack, Side Wind SWS-150-DTSF	1
9	118040	Bolt, Hex 3/4 x 1 1/2 in. UNC, Gr5, Plated	1
10	118509	Washer, Lock 3/4 in. Plated	1
11	118113	Bolt, Hex 1 x 9 in. UNC, Gr5, Plated	2
12	118510	Washer, Lock 1 in. Plated	2
13	118412	Nut, Hex 1 in. UNC, Gr5, Plated	2
14	118879	Pin, Hitch Jack 9/16 in. dia.	1
<b>Weld-on Replacement Part</b>			
15	132015	Bushing 50.8 OD x 6.4 Wall x 58mm-Jack Bracket	1

# HUBS & SPINDLES



(For Left Hand Side of Ground Drive Models Only)

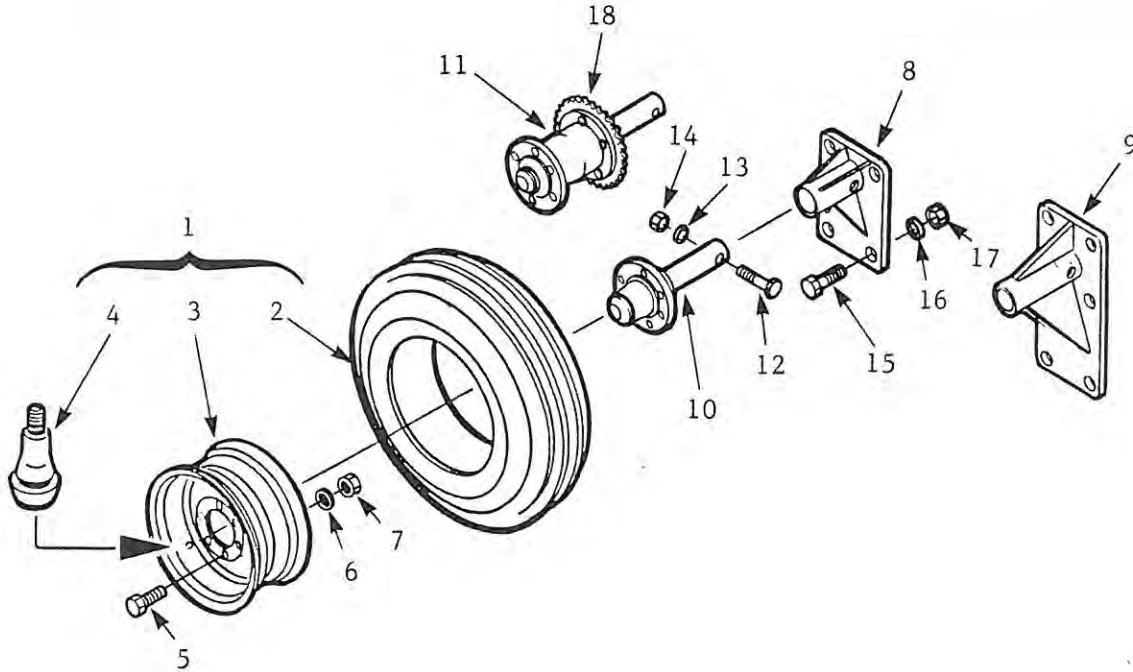


**HUBS & SPINDLES**

ITEM	PART No.	DESCRIPTION	QTY.
1	{ 131324	Hub/Spindle Assembly - H618-2 3/16 x 12 in. (15 in. wheels)	2
	{ 131333	Hub/Spindle Assembly - H618-2 3/16 x 14 1/4 in. (16.1 in. wheels)	
2	131026	Dust Seal CR#20140-2.000 in. ID	1
3	131022	Cone, Bearing #25580-1.750 in. ID	1
4	131023	Cup, Bearing #25520-3.265 in. OD	1
5	131013	Hub H618G c/w Cups #4 & 6	1
6	131025	Cup, Bearing LM48510-2.563 in. OD	1
7	131024	Cone, Bearing LM48548-1.375 in. OD	1
8	131020	Washer, Flat 1 in. SAE	1
9	118423	Nut, Slotted 1 in. UNS, Gr5	1
10	118835	Pin, Cotter 3/16 x 1 1/2 in.	1
11	131016	Cap, Hub H618 & H619 Hub	1
12	118335	Grease Fitting 1/4-28 AMNF-Straight	1
13	{ 131322	Spindle S618-2 3/16 x 12 in. Stress Proof c/w Nut #9	1
	{ 131334	Spindle S618-2 3/16 x 14 1/4 in. Stress Proof c/w Nut #9	

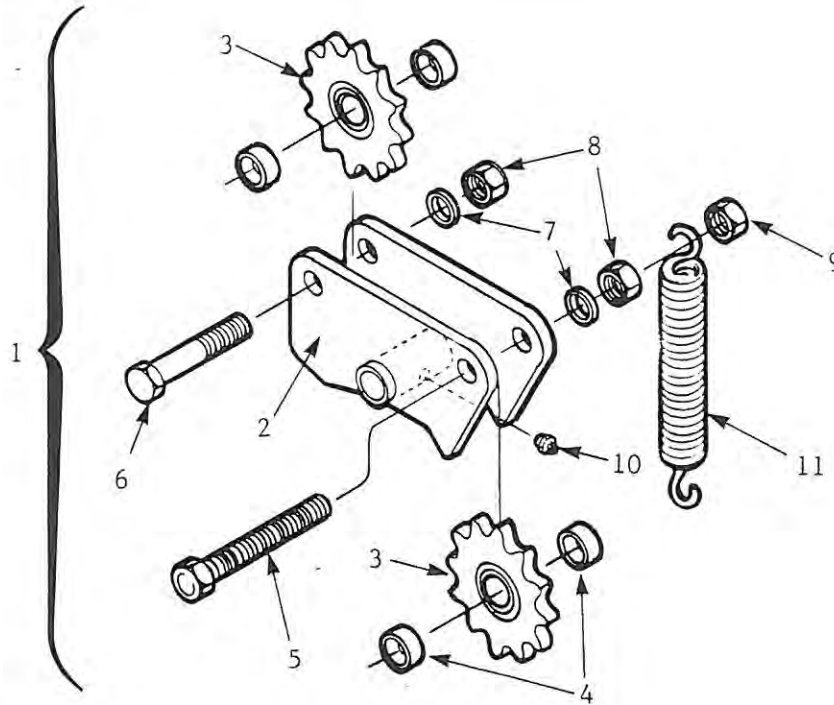
ITEM	PART No.	DESCRIPTION	QTY.
1	131330	Hub/Spindle/Spacer Assembly - H619 - 2 3/16 in. w/o Sprocket	1
2	131031	Seal, Dust CR#22644-2.250 in. ID	1
3	131027	Cone, Bearing #385A-2.000 in. ID	1
4	131028	Cup, Bearing #382A-3.813 in. OD	1
5	131012	Hub H619 c/w Cups #4 & 6	1
6	131025	Cup, Bearing #LM48510-2.563 in. OD	1
7	131024	Cone, Bearing #LM48548-1.375 in. ID	1
8	131020	Washer, Flat 1 in. SAE	1
9	118423	Nut, Slotted 1 in. UNS, Gr5	1
10	118835	Pin, Cotter 3/16 x 1 1/2 in.	1
11	131016	Cap, Hub H618 & H619 Hub	1
12	131331	Spindle S619 - 2 3/16 x 13 3/8 in. Stress Proof c/w Nut #9	1
13	122051	Sprocket 80A38 - RP/S4-Ground Drive (not included with Item #1)	1
14	118314	Bolt, Wheel 9/16 x 1 3/4 in. UNF, Gr5, Plated	5
15	122048	Ring, Spacer - H619 Hub - 1/2 in.	1
<b>Earlier Design Required with Reversed Rims</b>			
1	131325	Hub/Spindle Assembly - H619 - 2 3/16 in. c/w Sprocket	1
12	131323	Spindle S619 - 2 3/16 x 12 7/8 in. Stress Proof c/w Nut #9	1

## WHEEL & HUB UNITS



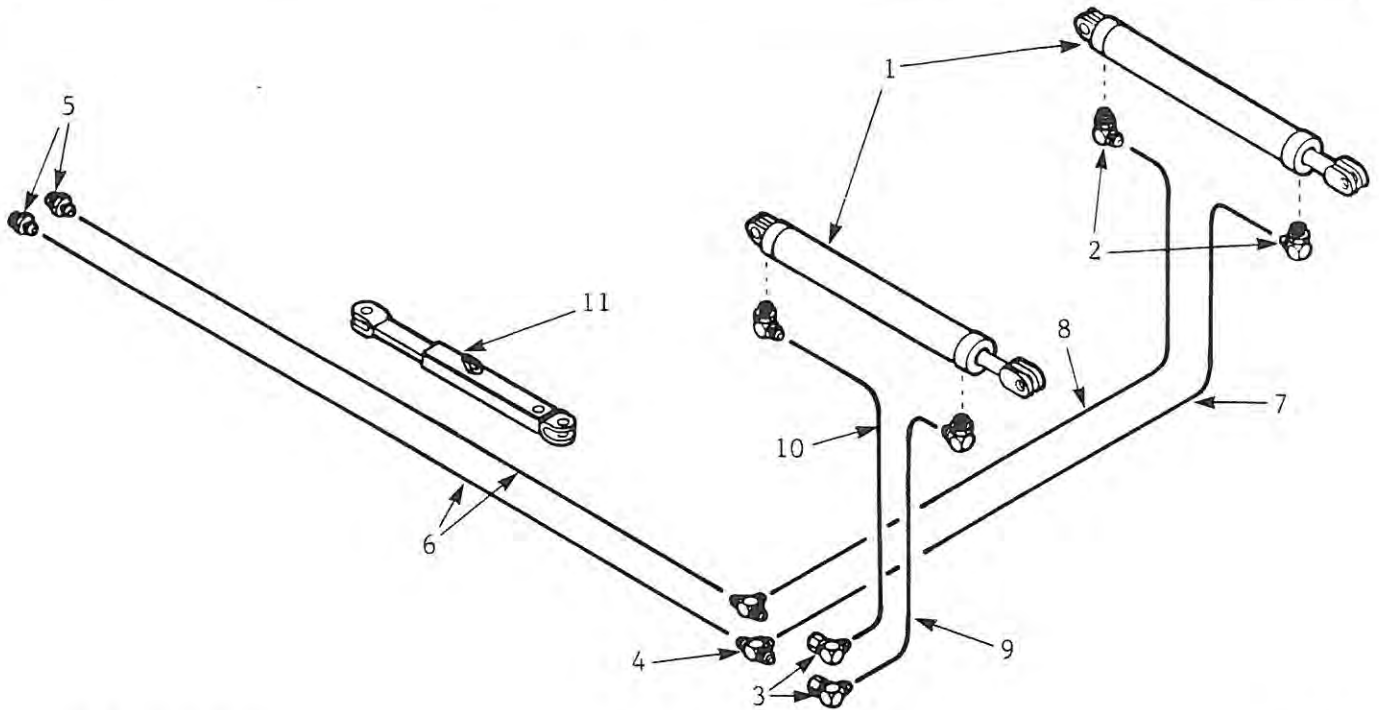
ITEM	PART No.	DESCRIPTION	QTY.
1	{ 131329	Wheel Assembly - 12.5L x 15-8 Ply - 3/4 in. Positive Offset	1
	{ 131335	Wheel Assembly - 16.5L x 16.1 - 6 Bolt - 1 1/8 in. Positive Offset	
2	127007	Tire 12.5L x 15-8 Ply Tubeless	1
3	{ 131328	Rim, Wheel 15 x 10LBH-6 Bolt - 3/4 in. Positive Offset	1
	{ 131336	Rim, Wheel 16.1 - 6 Bolt - 1 1/8 in. Positive Offset	
4	127006	Valve Stem-TR415	1
5	118314	Bolt, Wheel 9/16 x 1 3/4 in. UNF, Gr5, Plated	6
6	118507	Washer, Lock 9/16 in. Plated	6
7	118406	Nut, Hex 9/16 in. UNF, Gr5, Plated	6
8	240766	Axle/Bushing Assembly - 15 in. Wheels	1
9	240770	Axle/Bushing Assembly - 16.1 in. Wheels	1
10	{ 131324	Hub/Spindle Assembly-H618- 2 3/16 x 12 in. (15 in. wheels)	1
	{ 131333	Hub/Spindle Assembly-H618-2 3/16 x 14 1/4 in. (16.1 in. wheels)	
11	131330	Hub/Spindle/Spacer Assembly-H619-2 3/16 x 13 3/8 in. (15" wheels)	1
12	118126	Bolt, Hex 1/2 x 4 in. UNC, Gr5, Plated	1
13	118504	Washer, Lock 1/2 in. Plated	1
14	118405	Nut, Hex 1/2 in. UNC, Gr5, Plated	1
15	118047	Bolt, Hex 3/4 x 2 1/2 in. UNC, Gr5, Plated	a/r
16	118509	Washer, Lock 3/4 in. Plated	a/r
17	118410	Nut, Hex 3/4 in. UNC, Gr5, Plated	a/r
18	122051	Sprocket 80A38 - RP/S4-Ground Drive (order separately - not included with Item #11)	1

# CHAIN TIGHTENER



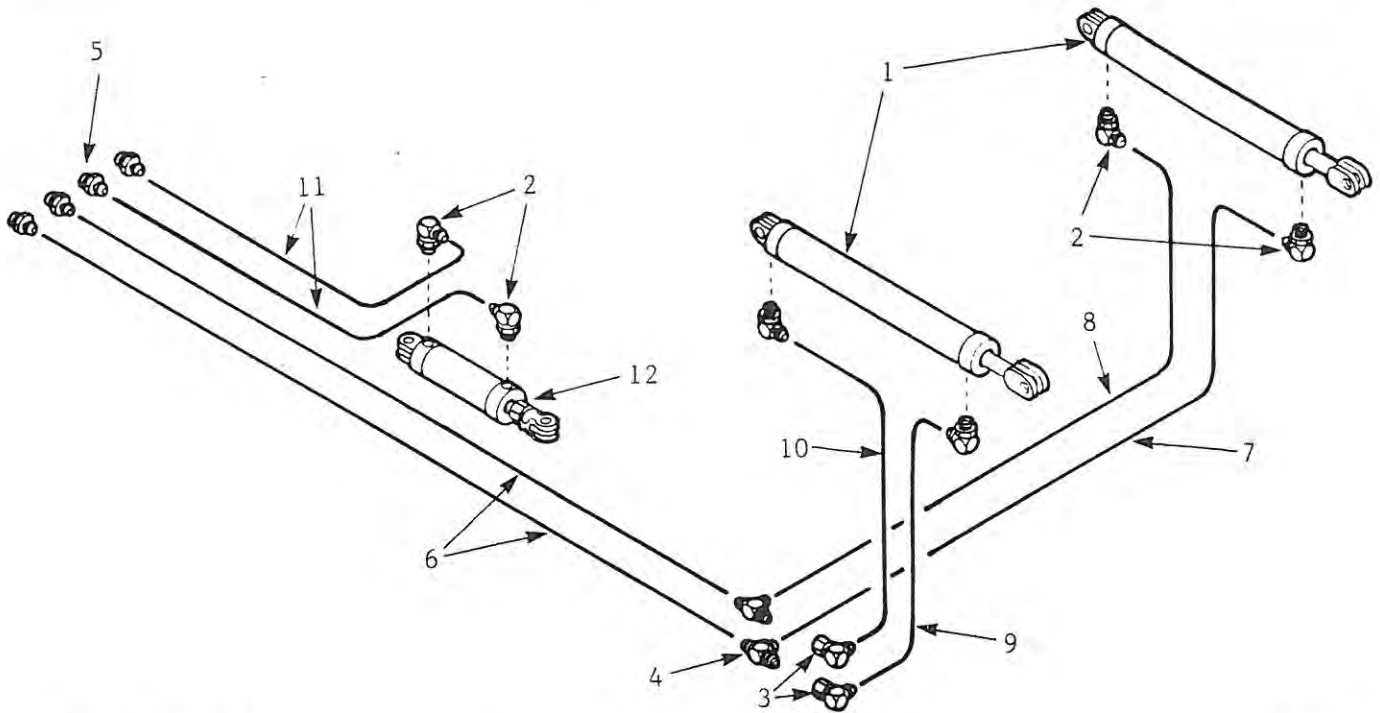
ITEM	PART No.	DESCRIPTION	QTY.
1	240541	Chain Tightener Assembly - 6800	1
2	240544	Frame, Chain Tightener - 6800	1
3	122001	Sprocket, Idler 80A12 c/w Bearing	2
4	222041	Bushing 1.050 OD x .154 Wall x 9/16 in.	4
5	240548	Threaded Rod/Nut Assembly - 3/4 in. UNC x 115mm long	1
6	118053	Bolt, Hex 3/4 x 3 1/2 in. UNC, Gr5, Plated	1
7	118509	Washer, Lock 3/4 in. Plated	2
8	118411	Nut, Hex 3/4 in. UNC, Gr5	2
9	118422	Nut, Lock 3/4 in. UNC, Gr5, Plated	1
10	118335	Grease Fitting 1/4-28 AMNF-Straight	1
11	143027	Spring, Tension 210mm x 20 Coil	1

**HYDRAULIC LAYOUT**  
(Machines equipped with **MANUAL ANGLING** on Hitch Pole)



ITEM	PART No.	DESCRIPTION	QTY.
1	121987	Cylinder, Hydraulic 3 x 31 in. - 1 1/4 Pins-DIL	2
2	141504	Elbow, 90° 3/4 JIC(M) x 3/4 ORB(M)	4
3	141518	Elbow, 90° 3/4 JIC(M) x 3/4 JIC(F-SW)	2
4	141501	Tee 3/4 JIC(MxMxM)	2
5	141514	Nipple 1/2 NPT(M) x 3/4 JIC(M)	2
6	126574	Hose 3/8 x 174 in. 2WB-3/4 JIC(F-SW)	2
7	126552	Hose 3/8 x 144 in. 2WB-3/4 JIC(F-SW)	1
8	126517	Hose 3/8 x 124 in. 2WB-3/4 JIC(F-SW)	1
9	126577	Hose 3/8 x 70 in. 2WB-3/4 JIC(F-SW)	1
10	126548	Hose 3/8 x 50 in. 2WB-3/4 JIC(F-SW)	1
11	--	Manual Angling Unit (See Page #16 for Details)	1

**HYDRAULIC LAYOUT**  
(Machines equipped with **HYDRAULIC ANGLING** on Hitch Pole)



ITEM	PART No.	DESCRIPTION	QTY.
1	121987	Cylinder, Hydraulic 3 x 31 in. - 1 1/4 Pins-DIL	2
2	141504	Elbow, 90° 3/4 JIC(M) x 3/4 ORB(M)	6
3	141518	Elbow, 90° 3/4 JIC(M) x 3/4 JIC(F-SW)	2
4	141501	Tee 3/4 JIC(MxMxM)	2
5	141514	Nipple 1/2 NPT(M) x 3/4 JIC(M)	4
6	126574	Hose 3/8 x 174 in. 2WB-3/4 JIC(F-SW)	2
7	126552	Hose 3/8 x 144 in. 2WB-3/4 JIC(F-SW)	1
8	126517	Hose 3/8 x 124 in. 2WB-3/4 JIC(F-SW)	1
9	126577	Hose 3/8 x 70 in. 2WB-3/4 JIC(F-SW)	1
10	126548	Hose 3/8 x 50 in. 2WB-3/4 JIC(F-SW)	1
11	126587	Hose 3/8 x 154 in. 2WB-3/4 JIC(F-SW)	2
12	121397	Cylinder, Hydraulic 3 x 8 in. - DIL	1



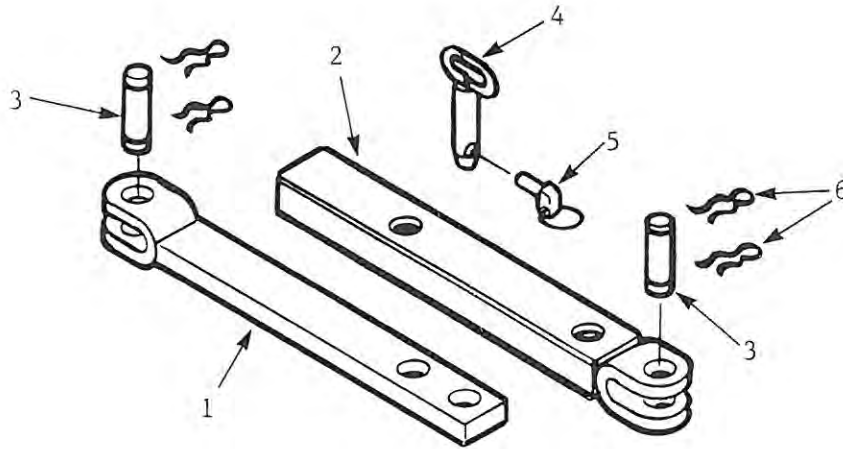


## HYDRAULIC LAYOUT

(Machines equipped with **HYDRAULIC ANGLING** on Hitch Pole with a **SELECTOR VALVE**)

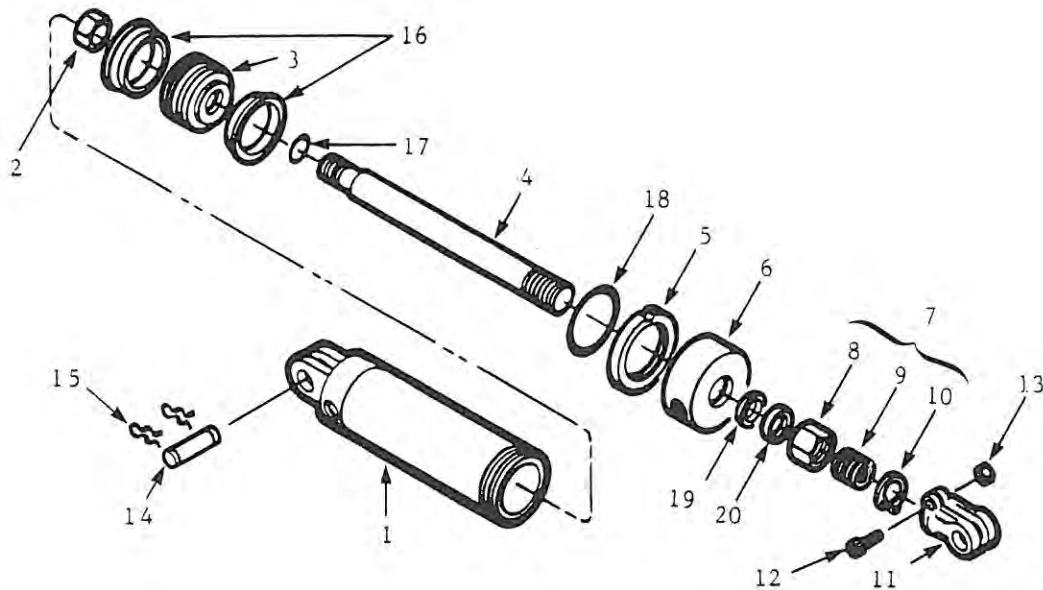
ITEM	PART No.	DESCRIPTION	QTY.
1	121987	Cylinder, Hydraulic 3 x 31 in. - 1 1/4 Pins-DIL	2
2	141504	Elbow, 90° 3/4 JIC(M) x 3/4 ORB(M)	6
3	141518	Elbow, 90° 3/4 JIC(M) x 3/4 JIC(F-SW)	2
4	141501	Tee 3/4 JIC(MxMxM)	2
5	141514	Nipple 1/2 NPT(M) x 3/4 JIC(M)	2
6	126574	Hose 3/8 x 174 in. 2WB-3/4 JIC(F-SW)	2
7	126552	Hose 3/8 x 144 in. 2WB-3/4 JIC(F-SW)	1
8	126517	Hose 3/8 x 124 in. 2WB-3/4 JIC(F-SW)	1
9	126577	Hose 3/8 x 70 in. 2WB-3/4 JIC(F-SW)	1
10	126548	Hose 3/8 x 50 in. 2WB-3/4 JIC(F-SW)	1
11	126547	Hose 3/8 x 42 in. 2WB-3/4 JIC(F-SW)	2
12	126585	Hose 3/8 x 25 in. 2WB-3/4 JIC(F-SW)	2
13	121397	Cylinder, Hydraulic 3 x 8 in. - DIL	1
14	141559	Valve, Selector 9/16 ORB -6 Port	1
15	141560	Elbow, 90° 3/4 JIC(M) x 9/16 ORB(M)	4
16	141561	Nipple 3/4 JIC(M) x 9/16 ORB(M)	2
17	240668	Wire Harness - Solenoid-Picker	1
18	240670	Wire Harness - Solenoid-Tractor c/w Switch	1
19	129006	Switch, Toggle 12V/16 Amp-Red	1
20	240743	Bracket, Solenoid - Hydraulic Motor Drive/Clutch Drive	1
21	118135	Bolt, Hex 1/4 x 3 in. UNC, Gr5, Plated	2
22	118533	Washer, Lock 1/4 in. Plated	2
23	118402	Nut, Hex 1/4 in. UNC, Gr5, Plated	2

MANUAL ANGLING UNIT



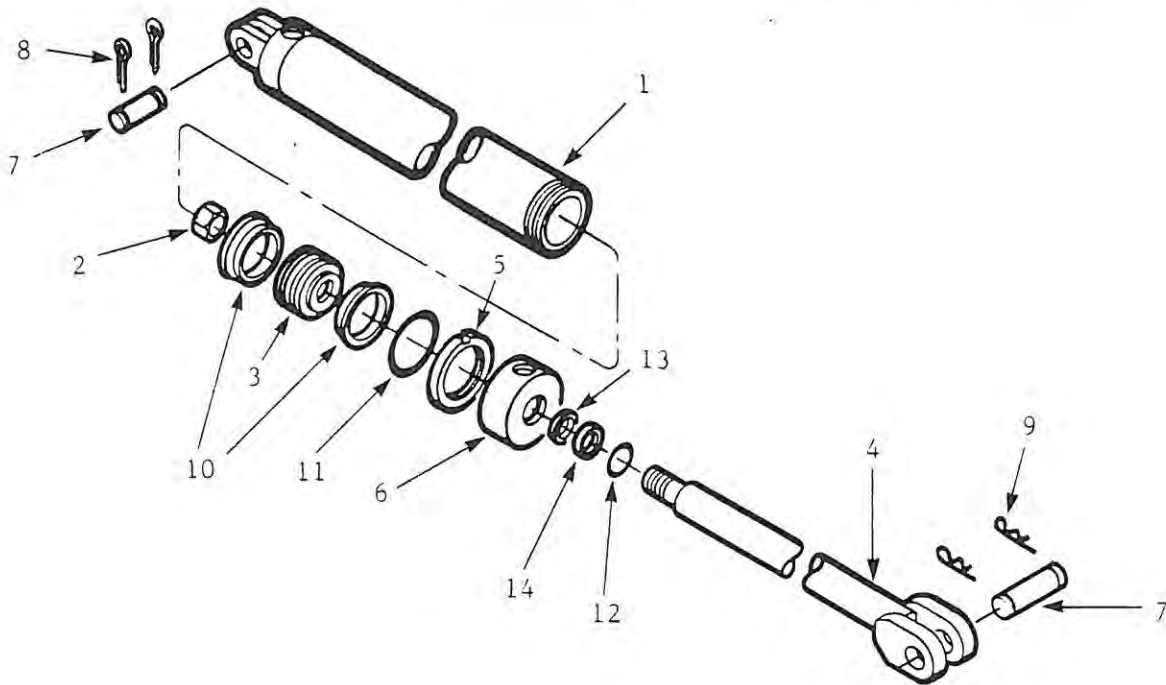
ITEM	PART No.	DESCRIPTION	QTY.
1	240535	Bar, Push Assembly - Manual Angle	1
2	240532	Holder, Push Assembly - Manual Angle	1
3	121941	Pin 25.4 x 73mm (effective)-Plated-N/D	2
4	778123	Pin Assembly 25 x 55mm (effective)	1
5	118869	Pin, Klik 7/16 x 1 3/4 in.	1
6	118882	Pin, Hair 3/16 x 2 3/4 in.-Plated-N/D	4

HYDRAULIC CYLINDER 3 x 8 in. Stroke - DIL



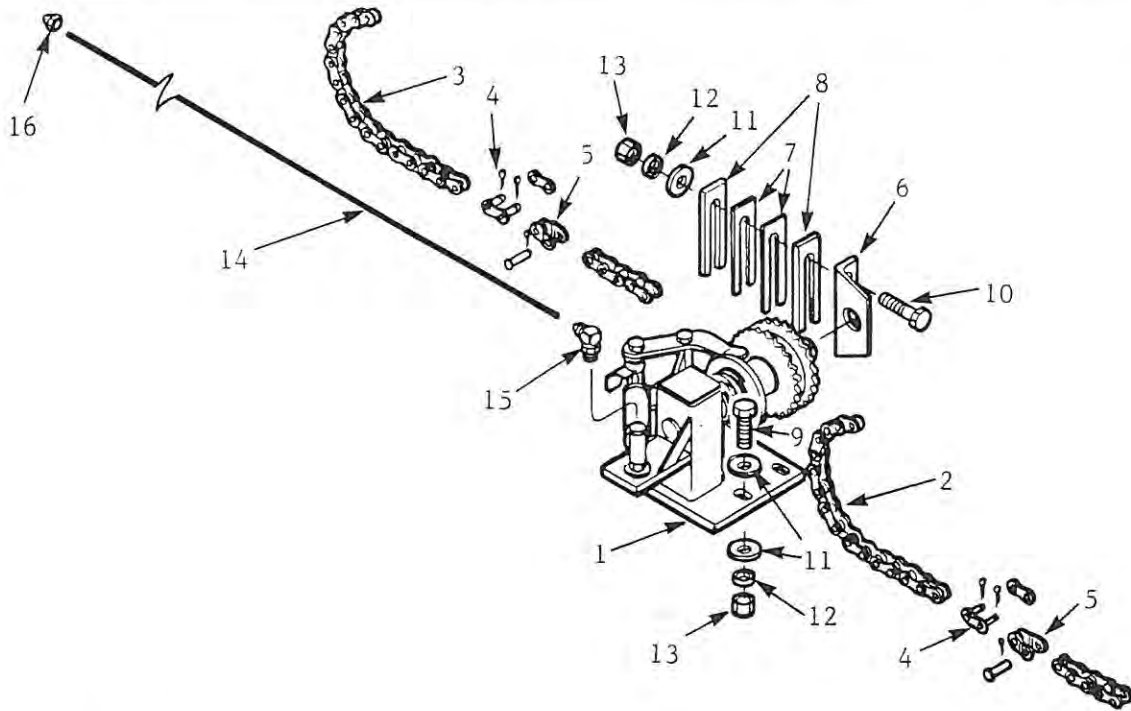
ITEM	PART No.	DESCRIPTION	QTY.
-	121397	Cylinder, Hydraulic 3 x 8 in.-DIL	a/r
1	121628	Barrel Assembly - 3 x 8 in.-DIL	1
2	118441	Nut, Lock 7/8 in. UNF, Gr5, Plated, Uni-torque	1
3	121606	Piston 3 in. Cylinder (U-Cup Type)-DIL	1
4	121618	Rod, Cylinder 3 x 8 in.-DIL	1
5	121746	Ring, Lock 3 in. Cylinder-DIL	1
6	121630	Cap, Open 3 in. Cylinder, 1 1/4 in. Rod-DIL	1
7	121642	Depth Control Assembly - DIL Cylinder-Plated	1
8	--	Nut, Depth Control-DIL	1
9	--	Sleeve, Depth Control-DIL	1
10	--	Snap Ring	1
11	121631	Clevis Rod 1 1/4-12 UNF-DIL	1
12	118311	Capscrew 3/8 x 1 3/4 in. Allen	1
13	118403	Nut, Hex 3/8 in. UNC, Gr5, Plated	1
14	121941	Pin 25.4 x 73mm long (effective)-Plated-N/D	2
15	118882	Pin, Hair 3/16 x 2 3/4 in.-Plated-N/D	4
16	--	Seal, U-Cup	2
17	--	Seal, O-Ring	1
18	--	Seal, O-Ring	1
19	--	Seal, U-Cup	1
20	--	Seal, Rod Wiper	1
-	121719	Kit, Seal 3 in. Cylinder 1 1/4 in. Rod-DIL	1
		<b>NOTE:</b> Rebuilt Units may be available	
	121783	Cylinder, Hydraulic 3 x 8 in. c/w Pins-DIL "Rebuilt"	a/r

HYDRAULIC CYLINDER 3 x 31 in. Stroke-DIL



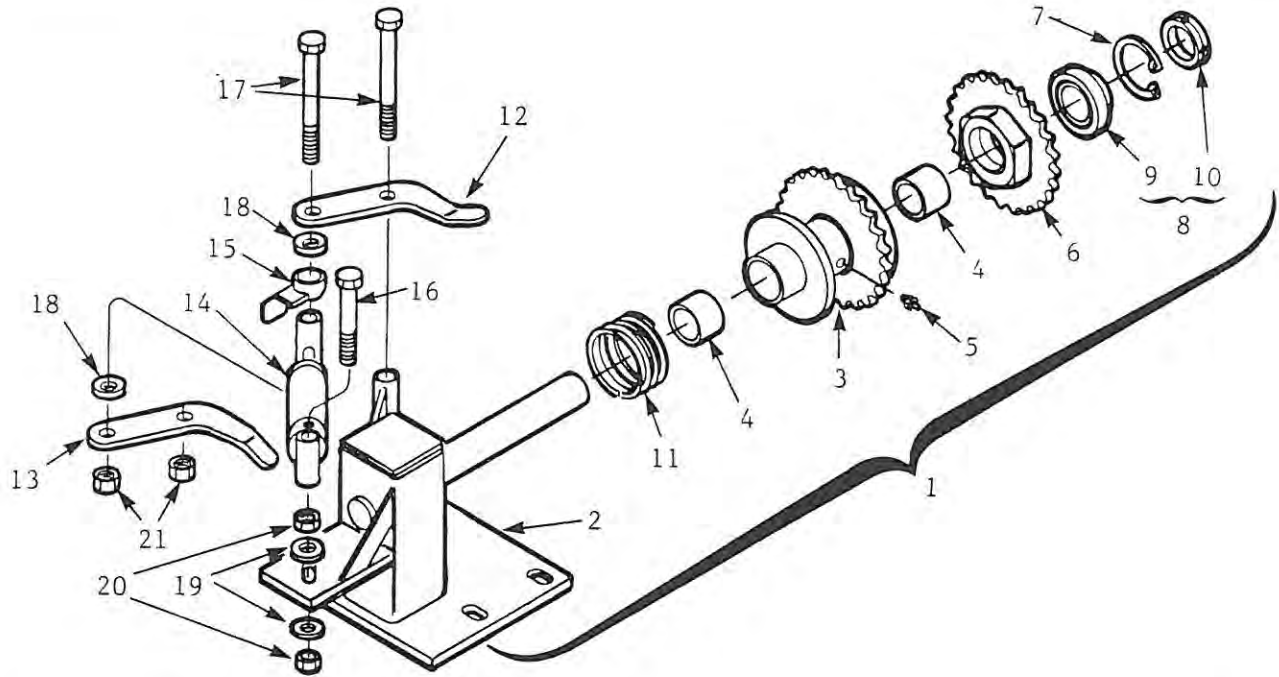
ITEM	PART No.	DESCRIPTION	QTY.
-	121987	Cylinder, Hydraulic 3 x 31 in.-1 1/4 Pins-DIL	a/r
1	121988	Barrel Assembly - 3 x 31 in. Cylinder-1 1/4 Pin-DIL	1
2	118441	Nut, Lock 7/8 in. UNF, Gr5, Plated, Uni-torque	1
3	121606	Piston 3 in. Cylinder (U-Cup Type)-DIL	1
4	121995	Rod Assembly 3 x 31 in. Cylinder-1 1/4 Pin-DIL	1
5	121746	Ring, Lock 3 in. Cylinder-DIL	1
6	121629	Cap, Open 3 in. Cylinder-1 1/2 in. Rod-DIL	1
7	121823	Pin 31.8 x 85mm long (effective)-Plated	2
8	118836	Pin, Cotter 3/16 x 2 in.	2
9	118830	Pin, Hair 4.5 x 83mm-Plated	2
10	--	Seal, U-Cup	2
11	--	Seal, O-Ring	1
12	--	Seal, O-Ring	1
13	--	Seal, U-Cup	1
14	--	Seal, Rod Wiper	1
-	121612	Kit, Seal 3 in. Cylinder 1 1/2 in. Rod-DIL	1
		<b>NOTE:</b> Rebuilt Units may be available.	
	121996	Cylinder, Hydraulic 3 x 31 in.-1 1/4 Pins-DIL "Rebuilt"	a/r

## GROUND DRIVE LAYOUT



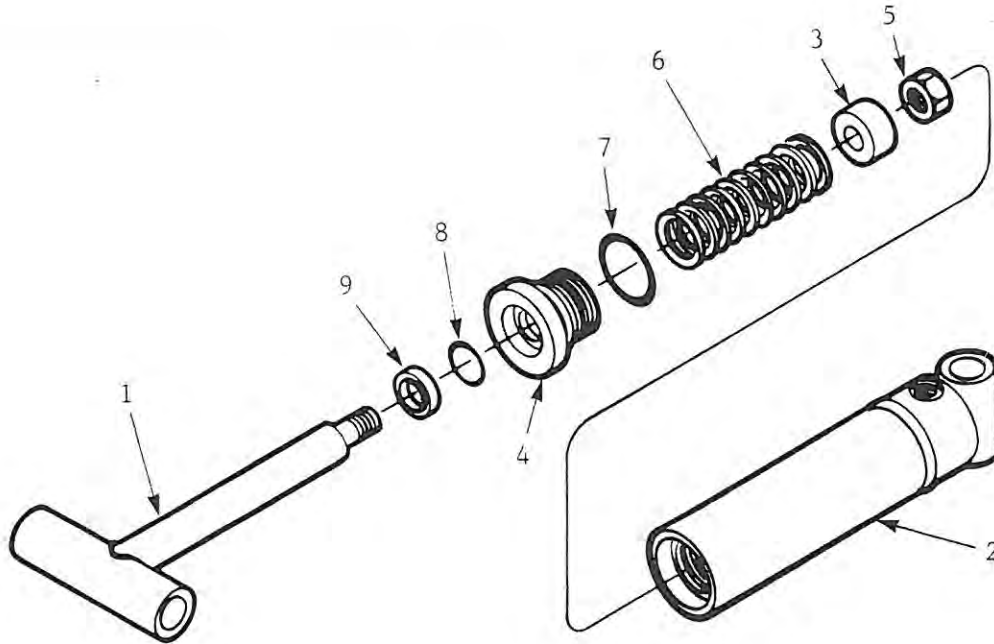
ITEM	PART No.	DESCRIPTION	QTY.
1	240752	Clutch Assembly-6800	1
2	120028	Chain, Roller #80-85 Link	1
3	120014	Chain, Roller #80-107 Link	1
4	120002	Link, Connector #80-Std	1
5	120003	Link, Offset #80-Std	2
6	240660	Bracket, Support Angle-Clutch	1
7	240662	Shim 3 x 50 x 185mm-Aluminum	2
8	240663	Shim 6 x 50 x 185mm-Aluminum	2
9	118026	Bolt, Hex 5/8 x 2 in. UNC, Gr5, Plated	4
10	118028	Bolt, Hex 5/8 x 2 1/2 in. UNC, Gr5, Plated	2
11	118514	Washer, Flat 5/8 in. Plated	a/r
12	118508	Washer, Lock 5/8 in. Plated	a/r
13	118407	Nut, Hex 5/8 in. UNC, Gr5, Plated	a/r
14	126588	Hose 3/16 x 186 in. 1WB-1/4 NPT(M)	1
15	141532	Elbow, 90° 7/16 ORB(M) x 1/4 NPT(F-SW)	1
16	141533	Reducer 1/4 NPT(F) x 1/2 NPT(M)	1

# CLUTCH UNIT



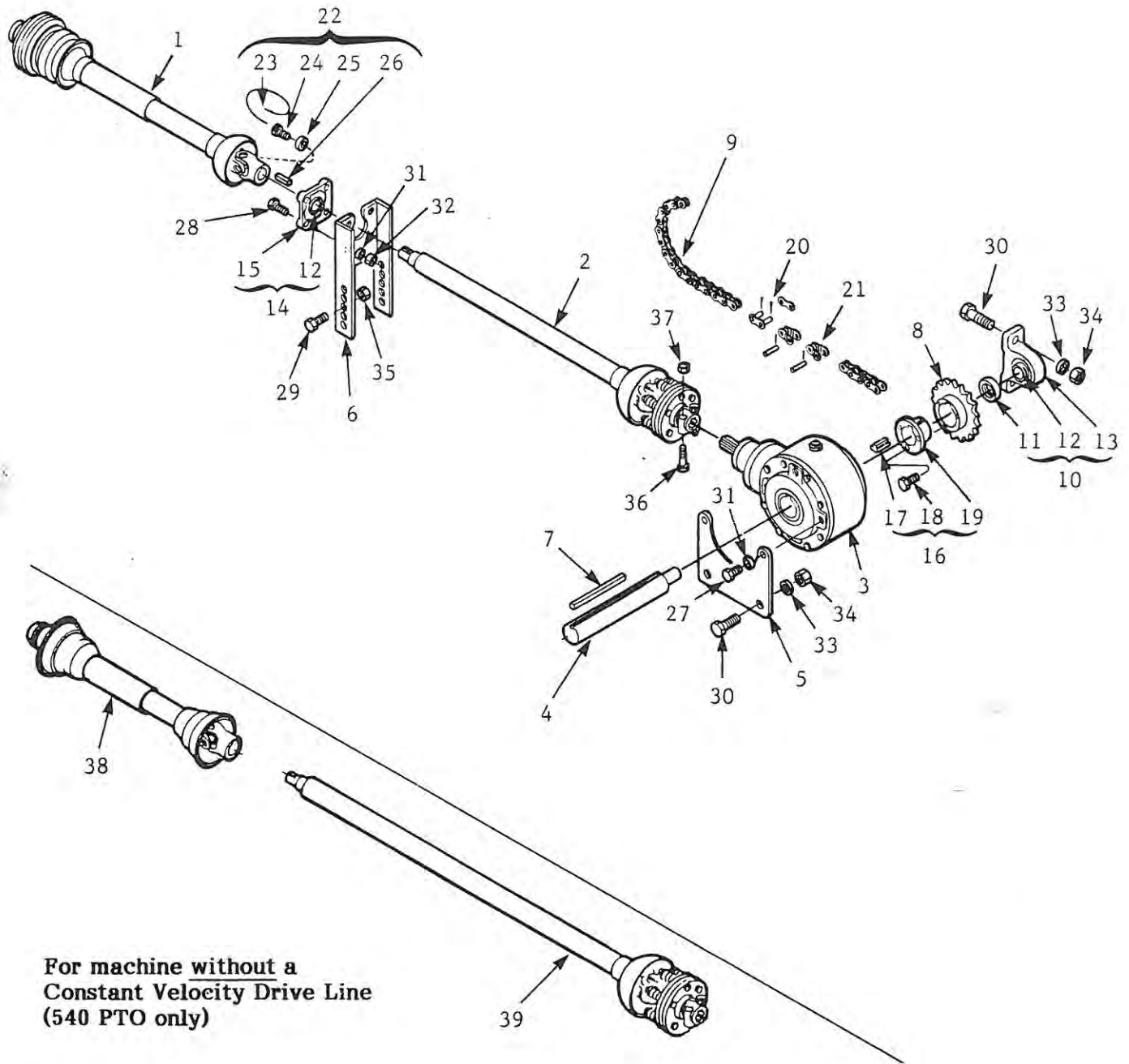
ITEM	PART No.	DESCRIPTION	QTY.
-	240752	Clutch Assembly - 6800-Complete	1
		<b>Consists of:</b>	
1	240751	Frame/Sprocket Assembly - Clutch-6800	1
2	240749	Frame, Clutch - Assembly-6800	1
3	226056	Sprocket, Sliding - Clutch (24 Tooth) c/w Items #4 & 5	1
4	226060	Bushing, Bronze 2.5 OD x 2.01 ID x 1 1/2 in.	2
5	118335	Grease Fitting 1/4-28 AMNF-Straight	1
6	226070	Sprocket, Drive - Assembly-Clutch (24 Tooth)	1
7	118330	Ring, Retaining - Sprocket Drive	1
8	117007	Bearing Unit 2 in.	1
9	117013	Insert Bearing 2 in.	1
10	117031	Collar, Lock 2 in. Bearing 2.75 in. OD	1
11	143002	Spring, Compression 5 1/2 Coil	1
12	240652	Lever, Throw-out RH (Top)-Clutch	1
13	240653	Lever, Throw-out LH (Bottom)-Clutch	1
14	121866	Cylinder, Hydraulic 1 3/8 x 1 1/2 in. Single Acting-DIL	1
15	240656	Lock-up Assembly - Clutch-Red	1
16	118119	Bolt, Hex 3/4 x 4 in. UNC, Gr5, Plated	1
17	118064	Bolt, Hex 3/4 x 6 in. UNC, Gr5, Plated	2
18	118543	Washer, Flat 3/4 x 3/16 in. Plated-Hardened	2
19	118516	Washer, Flat 3/4 in. Plated	2
20	118435	Nut, Jam 3/4 in. UNC, Gr2, Plated	2
21	118422	Nut, Lock 3/4 in. UNC, Gr5, Plated	2

CLUTCH HYDRAULIC CYLINDER 1 3/8 x 1 1/2 in. Stroke-DIL



ITEM	PART No.	DESCRIPTION	QTY.
-	121866	Cylinder, Hydraulic 1 3/8 x 1 1/2 in. Stroke-Single Acting-DIL	1
		<b>Consists of:</b>	
1	121870	Rod Assembly 1 3/8 x 1 1/2 in. Cylinder-DIL	1
2	121868	Barrel Assembly 1 3/8 x 1 1/2 in. Cylinder-DIL	1
3	121871	Piston 1 3/8 in. Cylinder-Single Acting-DIL	1
4	121872	Cap, Open 1 3/8 in. Cylinder-Single Acting-DIL	1
5	118419	Nut, Lock 1/2 in. UNF, Gr5, Plated	1
6	121878	Spring, Compression 3 1/2 in. x 10 Coil	1
7	--	O-Ring 1 7/16 ID x 3/32 in. #127	1
8	--	O-Ring 3/4 OD x 1/8 in. #210	1
9	--	Seal, Dust C/R#7410 - 3/4 in. ID	1
-	121887	Kit, Seal 1 3/8 in. Single Acting Cylinder-3/4 in. Rod-DIL	1

# PTO DRIVE LAYOUT

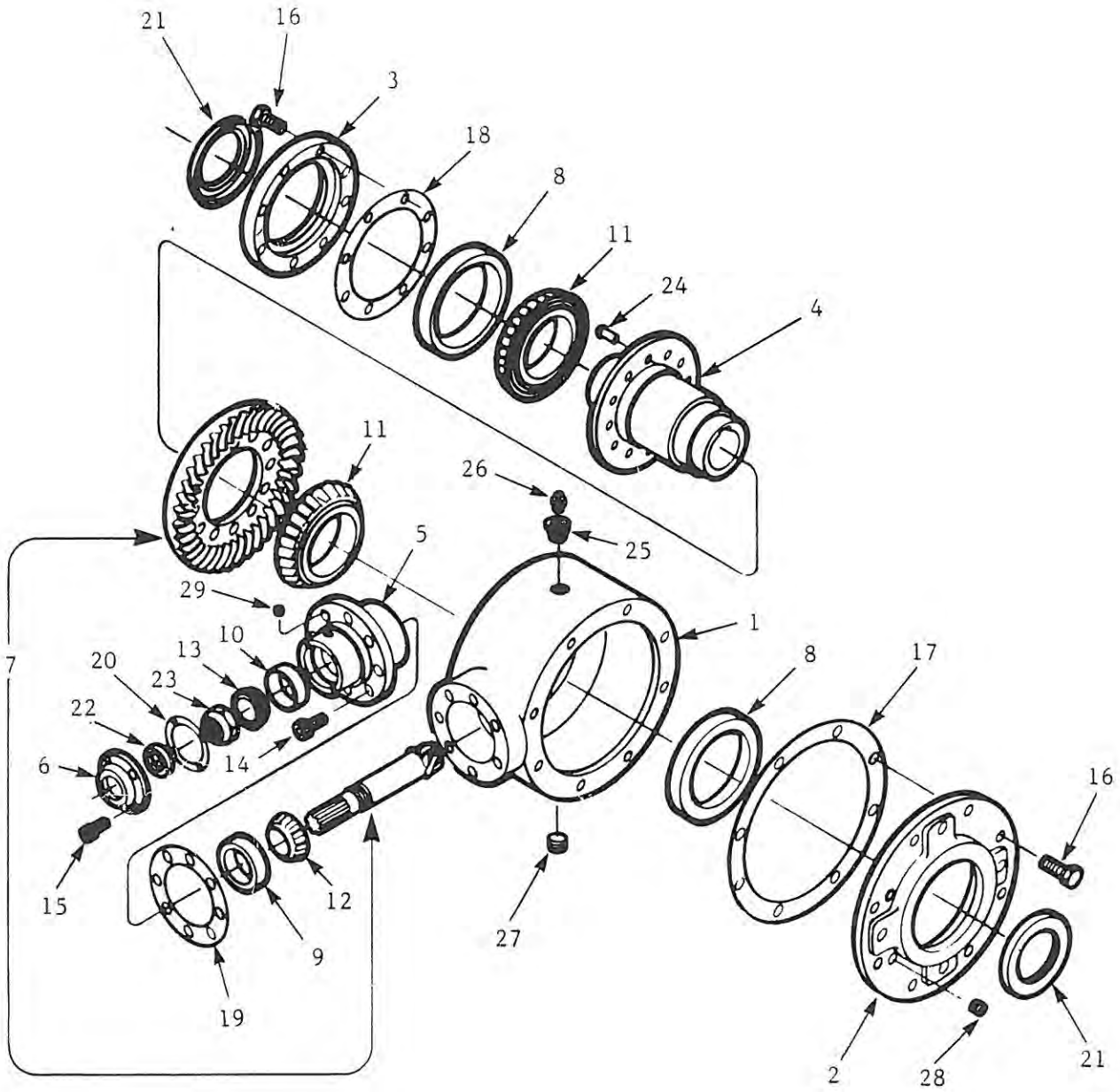




**PTO DRIVE LAYOUT**

ITEM	PART No.	DESCRIPTION	QTY.
1	{ 119627	Shaft, Slider 74.75 in. C/V - Weasler 35NW-6 Spline Q.D. (540 PTO)	}1
	{ 119628	Shaft, Slider 74.75 in. C/V - Weasler 35NW-21 Spline Q.D. (1000 PTO)	
2	119601	Shaft, Drive 53.5 in. - Weasler c/w Torque Limiter-6 Spline Clamp	1
3	119177	Gear Box 6.66:1 - Hub City "M920" Splined	1
4	240348	Shaft, Gear Box 61.9 x 500mm	1
5	240455	Plate, Gear Box Holder - 9mm thick	1
6	240526	Bracket, Drive Line Support-Assembly	1
7	119032	Key 15.9 x 15.9 x 200mm	1
8	{ 122040	Sprocket 80Q 25 Tooth - Tapered Bore (540 PTO) }	}1
	{ 122039	Sprocket 80Q 14 Tooth - Tapered Bore (1000 PTO) }	
9	{ 120014	Chain, Roller #80-107 Link (540 PTO) }	}1
	{ 120027	Chain, Roller #80-101 Link (1000 PTO) }	
10	117023	Bearing Unit, Pillow Block 1 3/8 in.	1
11	117024	Collar, Lock 1 3/8 in. Bearing	1
12	117090	Insert, Bearing 1 3/8 in.	1
13	117010	Casting, Pillow Block 1 3/8 in. Bearing	1
14	117089	Bearing Unit, Flanged 4 Hole-1 3/8 in.	1
15	117091	Casting Flange 4 Hole-1 3/8 in. Bearing	1
16	122021	Kit, Split Taper Bushing 2 7/16 in.	1
17	122020	Key, Stepped 5/8 x 11/16 z 2 1/2 in.	1
18	118129	Bolt, Hex 3/8 x 1 1/4 in. UNC, Gr5, Plated	3
19	—	Bushing, Tapered	1
20	120002	Link, Connector #80-Std	1
21	120003	Link, Offset #80-Std	2
22	119340	Bag, Hardware (supplied by Weasler)	1
23	—	Tire Wire	1
24	—	Bolt, Hex-Drilled Head 1/2 x 1 1/4 in. UNF	1
25	—	Washer, Flat 1 1/2 OD x 33/64 ID x 1/4 in. thick	1
26	—	Key 3/8 x 5/16 x 1 3/8 in. long	1
27	118008	Bolt, Hex 1/2 x 1 in. UNC, Gr5, Plated	3
28	118011	Bolt, Hex 1/2 x 1 1/2 in. UNC, Gr5, Plated	4
29	118024	Bolt, Hex 5/8 x 1 1/2 in. UNC, Gr5, Plated	2
30	118026	Bolt, Hex 5/8 x 2 in. UNC, Gr5, Plated	4
31	118504	Washer, Lock 1/2 in. Plated	7
32	118405	Nut, Hex 1/2 in. UNC, Gr5, Plated	4
33	118508	Washer, Lock 5/8 in. Plated	4
34	118407	Nut, Hex 5/8 in. UNC, Gr5, Plated	4
35	118448	Nut, Lock 5/8 in. UNC, Gr5, Plated	2
36	118112	Bolt, Hex 1/2 x 3 in. UNC, Gr5, Plated	2
37	118420	Nut, Lock 1/2 in. UNC, Gr5, Plated	2
		<b>For machines without a Constant Velocity Drive Line (540 PTO only)</b>	
38	119251	Shaft, Slider 28.1 in. - Weasler - 14NW-6 Spline Q.D. (540 PTO)	1
39	119644	Shaft, Drive 84.25 in. - Weasler c/w Torque Limiter-6 Spline Clamp	1

GEAR BOX 6.66:1-HUB CITY

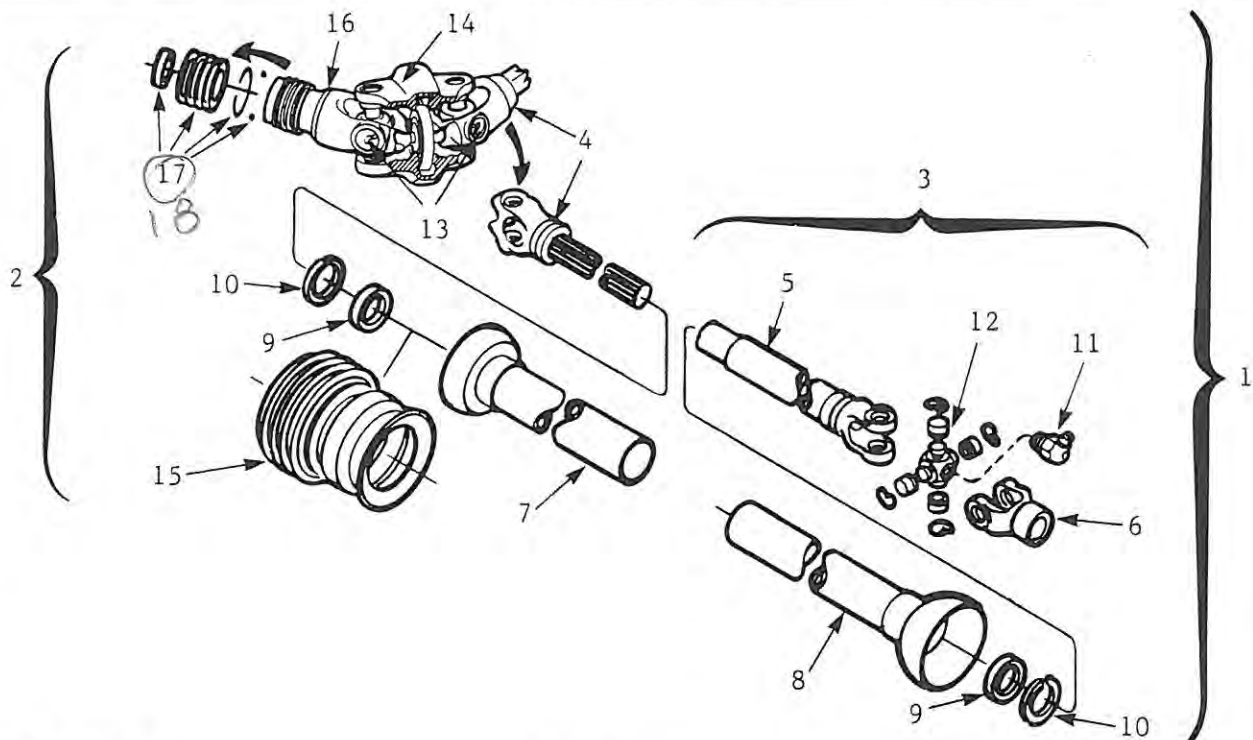


GEAR BOX 6.66:1 HUB CITY

ITEM	PART No.	DESCRIPTION	QTY.
-	119177	Gear Box 6.66:1 Hub City M920 - 1 3/8 in. Splined Input	1
1	119051	Housing, Gear Box 6.66:1 Hub City	1
2	119052	Cap, Output 6.66:1 Large - Hub City	1
3	119053	Cap, Output 6.66:1 Small - Hub City	1
4	119054	Hub, Ring Gear 2 7/16 in. ID - Hub City	1
5	119178	Cap, Input 6.66:1 Hub City - 1 3/8 in. Splined Input	1
6	119179	Carrier, Pinion Seal - Hub City - 1 3/8 in. Splined Input	1
7	119180	Gear/Pinion Set 6.66:1 - Hub City - 1 3/8 in. Splined Input	1
8	119055	Cup, Bearing #42584 - 5.844 in. OD	2
9	119181	Cup, Bearing #HM801346	1
10	119182	Cup, Bearing (Hub City #8-32-20-58-180)	1
11	119056	Cone, Bearing #42375 - 3.750 in. ID	2
12	119183	Cone, Bearing #HM801310	1
13	119184	Cone, Bearing #2788A	1
14	--	Capscrew, Socket 3/8 x 1 1/4 in. UNC	7
15	119070	Setscrew #10 x 3/4 in. UNF-Allen	4
16	118129	Bolt, Hex 3/8 x 1 1/4 in. UNC, Gr5, Plated	16
-	119186	Kit, Repair #M920-1 3/8 in. Spline Input-Hub City	1
		<b>Consists of:</b>	
17	--	Gasket	10
18	--	Gasket	5
19	--	Gasket	5
20	--	Gasket	1
21	119061	Seal, Dust CR#36361-3.625 in. ID	2
22	119185	Seal, Dust (Hub City #8-74-21-25-017)	1
23	--	Nut, Lock 1 1/2 in. - 16 Thread (Hub City #8-47-16-14-041)	1
24	--	Rivet 3/8 x 1 1/4 in. (Hub City #8-47-17-00-002)	12
25	119021	Reducer 1/8 NPT(F) x 1/2 NPT(M)	1
26	119020	Vent, Pressure Relief 1/8 NPT(M)	1
27	119016	Plug, Port 1/2 NPT(M)-Allen	1
28	119071	Plug, Port 1/4 NPT(M)-Allen	2
29	--	Plug, Port 1/8 NPT(M)-Allen	2

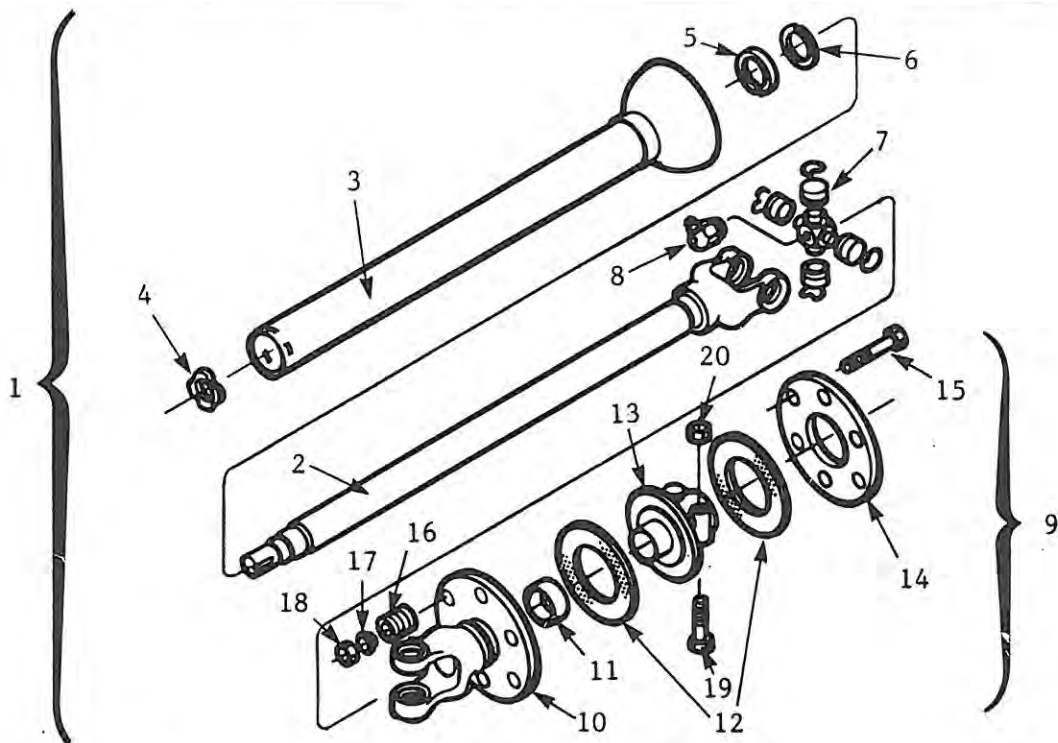
**NOTE:** Item #7 is a matched Gear and Pinion Set and cannot be purchased seperately

**DRIVE LINE c/w CONSTANT VELOCITY JOINT-WEASLER**  
 (For 540/1000 PTO Machines **WITH** a Constant Velocity Drive Line System)



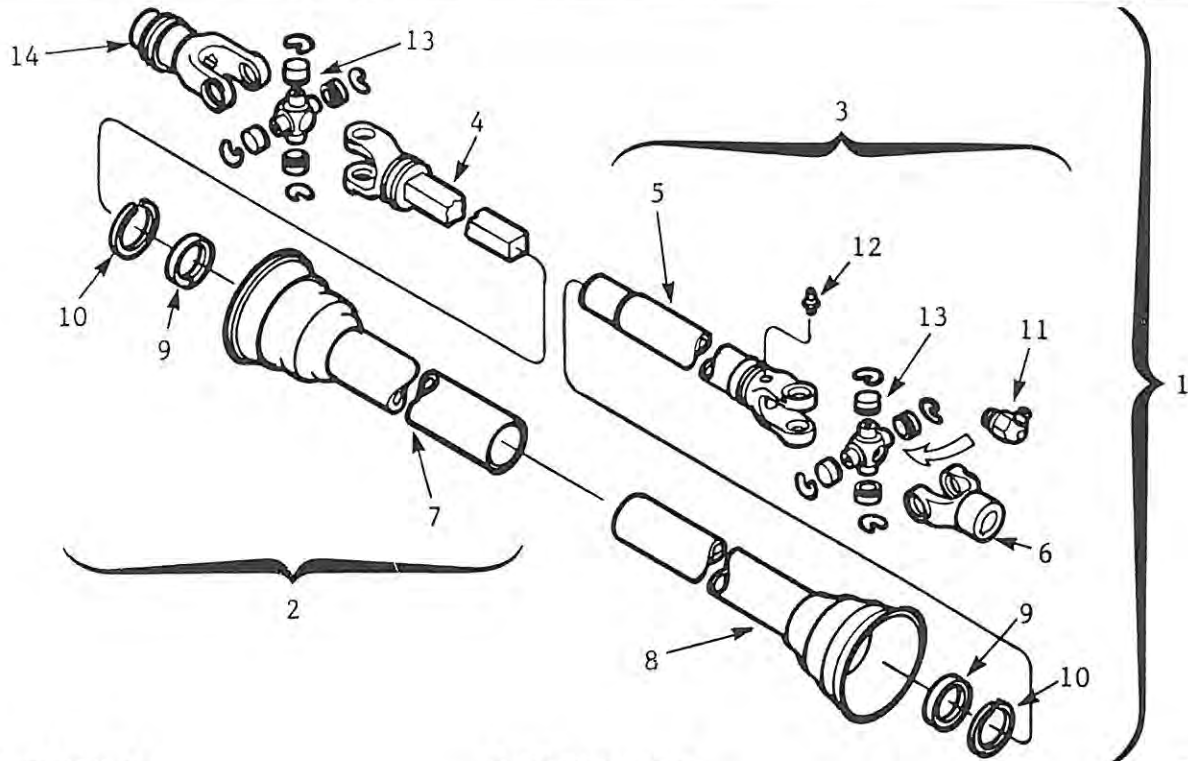
ITEM	PART No.	DESCRIPTION	QTY.
1	{ 119627	Shaft, Slider-74.75 in. C/V-Weasler 35 NW-6 Spline Q.D. (540 PTO)	} 1
	{ 119628	Shaft, Slider-74.75 in. C/V-Weasler 35 NW-21 Spline Q.D. (1000 PTO)	
2	{ 119629	Shaft Half - Bar-C/V-6 Spline Q.D.-35 NW - Weasler #93-15756	} 1
	{ 119630	Shaft Half - Bar-C/V-21 Spline Q.D.-35 NW - Weasler #93-15757	
3	119631	Shaft Half - Tube - C/V - 35 NW - Weasler #94-15757	1
4	119632	Yoke/Bar - Assembly - 35 NW - Weasler #99-15757	1
5	119633	Yoke/Tube - Assembly - 35 NW - Weasler - #98-15757	1
6	119634	Yoke 1 5/16 in. Bore - 35 NW - Weasler - #35011 -1366	1
7	119635	Shield, Outer - Steel - 35 NW - Weasler #97-15757	1
8	119636	Shield, Inner - Steel - 35 NW - Weasler #96-15757	1
9	119260	Bearing, Shield Support - Nylon - Weasler #04-10085	1
10	119261	Retainer, Bearing - Weasler #24-10018	1
11	119262	Grease Fitting - 1/8 NPT - 75°	3
12	119129	Kit, Cross & Bearing - Hayes 1340	1
13	119637	Kit, Cross & Bearing - 80° C/V - 35 NW - Weasler #03-10016	1
14	119638	Housing Assembly C/V - Centre - 35 NW - Weasler #26-11646	1
15	119639	Guard, Extension - PVC - C/V - 35 NW - Weasler #36-11037	1
16	{ 119640	Yoke, Q.D. - C/V - 6 Spline - 35 NW - Weasler #35222-1540	} 1
	{ 119641	Yoke, Q.D. - C/V - 21 Spline - 35 NW - Weasler #35222-1539	
17	119642	Bearing, Shield Support - Nylon - 35 NW - Weasler #04-10017	1
18	119643	Kit, Repair Q.D. Yoke - 35 NW - Weasler #26-10015	1

**DRIVE SHAFT c/w TORQUE LIMITER-WEASLER**  
 (For 540/1000 PTO Machines **WITH** a Constant Velocity Drive Line System)



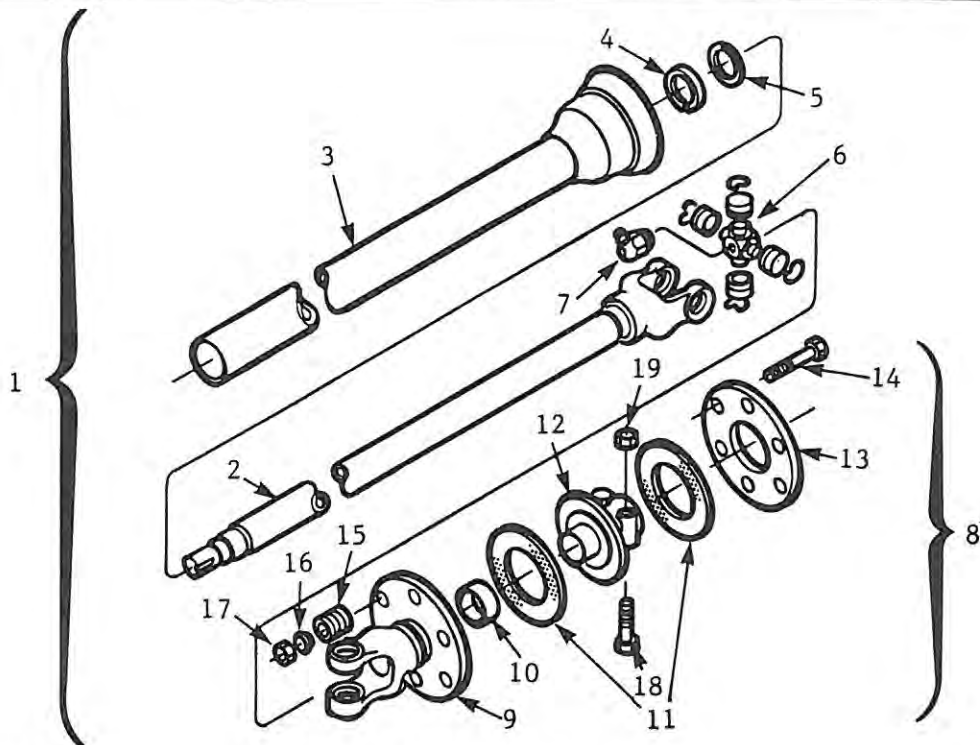
ITEM	PART No.	DESCRIPTION	QTY.
1	119601	Shaft, Drive 53.5 in. - Weasler c/w Torque Limiter - 6 Spline Clamp	1
2	119604	Yoke/Shaft 47.6 in. long - Weasler #98-15487 (not sold separate)	1
3	119605	Shield, Outer Steel 46.7 in. - Weasler #97-15487	1
4	119606	Centralizer, Nylon - Weasler #04-10084	1
5	119260	Bearing, Nylon - Weasler #04-10085	1
6	119261	Retainer, Bearing - Weasler #24-10018	1
7	119129	Kit, Cross & Bearing - Hayes #1340	1
8	119262	Grease Fitting 1/8 NPT-75°	1
9	119607	Torque Limiter Clutch Assembly - Weasler #26-11582	1
		<b>Consists of Items #10 - 20 inclusive:</b>	
10	119278	Yoke/Plate Assembly - Torque Limiter - Weasler #35051-1081	1
11	—	Bushing, Bronze (not sold separately)	1
12	119280	Disc, Friction - Torque Limiter - Weasler #11-10143	2
13	119608	Plate, Hub - 6 Spline Bolt Clamp - Weasler #26-10752	1
14	119282	Plate, Pressure - Torque Limiter - Weasler #10-10146	1
15	118139	Bolt, Hex 3/8 x 4 in. UNC, Gr5, Plated	6
16	119283	Spring, Compression - Torque Limiter - Weasler #23-10037	6
17	119284	Guide, Spring Washer - Torque Limiter - Weasler #11-10036	6
18	118417	Nut, Lock 3/8 in. UNC, Gr5, Plated	6
19	118112	Bolt, Hex 1/2 x 3 in. UNC, Gr5, Plated	2
20	118420	Nut, Lock 1/2 in. UNC, Gr5, Plated	2

**SLIDER SHAFT c/w QUICK DISCONNECT - WEASLER - 14NW**  
 (For 540 PTO Machines **WITHOUT** a Constant Velocity Drive Line System)



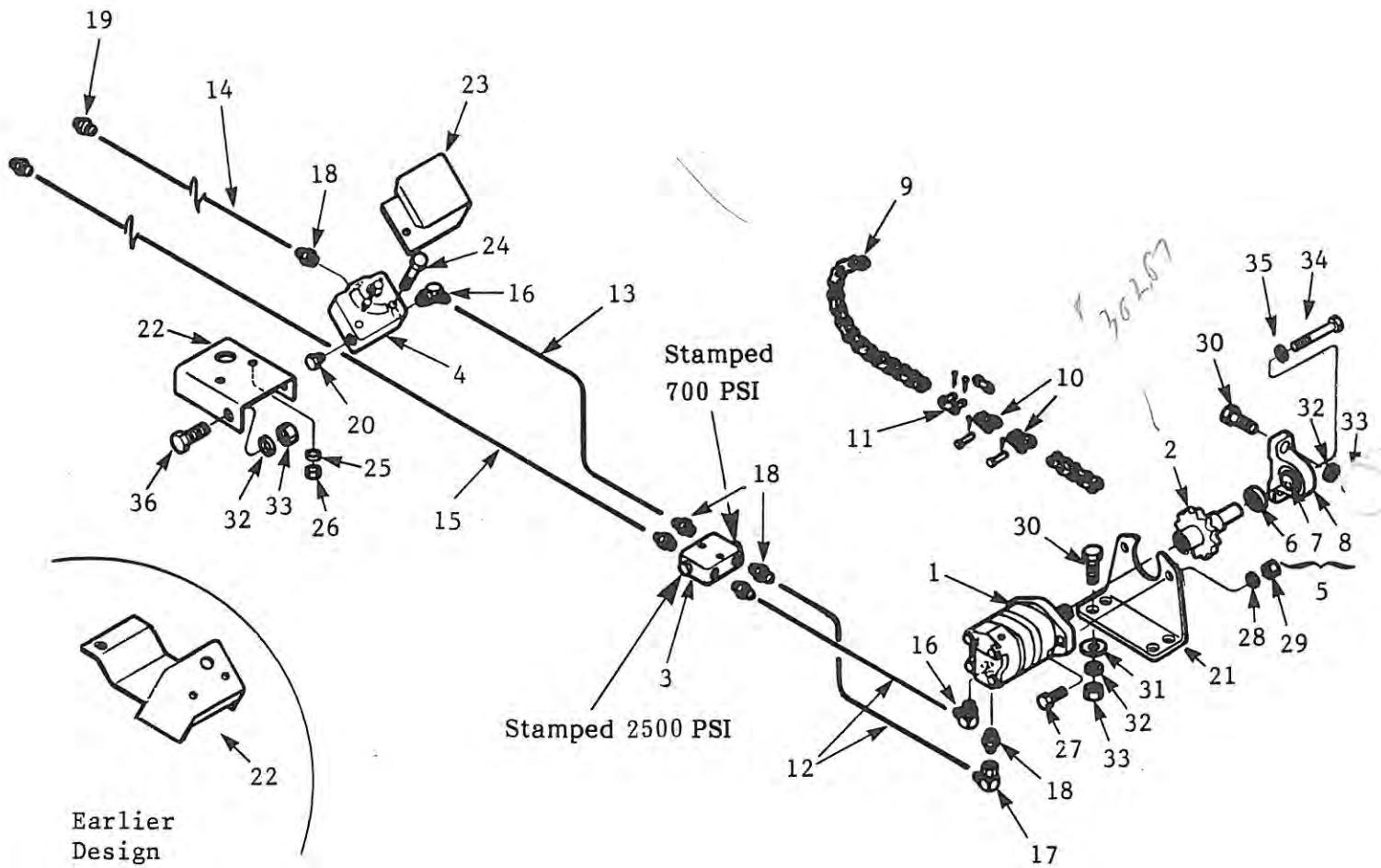
ITEM	PART No.	DESCRIPTION	QTY.
1	119251	Shaft, Slider 28.1 in. (overall) - Weasler - 14NW (6 Spline Q.D.)	1
2	119252	Shaft, Half - Bar 28 in. - Weasler - 14NW (6 Spline)	1
3	119253	Shaft, Half - Tube 28 in. - Weasler - 14NW	1
4	119254	Yoke/Bar 17.38 in. long - Weasler - 14NW	1
5	119255	Yoke/Bar 16.13 in. long - Weasler - 14NW	1
6	119257	Yoke 1 5/16 in. Bore - Weasler - 14NW	1
7	119258	Shield, Outer - PVC - 16 in. - Weasler (c/w #9 & #10)	1
8	119259	Shield, Inner - PVC - 16 in. - Weasler (c/w #9 & #10)	1
9	119260	Bearing, Shield Support - Weasler - 14NW/35NW	2
10	119261	Ring, Retainer - Weasler - 14NW/35NW	2
11	119262	Grease Fitting 1/8 NPT - 75°	2
12	118335	Grease Fitting 1/4-28 AMNF straight-thread	1
13	119118	Kit, Cross and Bearing - Hayes 1240	2
14	119256	Yoke 1 3/8 in. Q.D. - 6 Spline - Weasler - 14NW	1

**DRIVE SHAFT c/w TORQUE LIMITER-WEASLER**  
 (For 540 PTO Machines **WITHOUT** a Constant Velocity Drive Line System)



ITEM	PART No.	DESCRIPTION	QTY.
1	119644	Shaft, Drive 84.25 in. - Weasler c/w Torque Limiter - 6 Spline Clamp	1
2	119647	Yoke/Shaft 78.3 in. long - Weasler - 35NW (not sold separate)	1
3	119648	Shield, Outer PVC 74.6 in. - Weasler - 35NW	1
4	119260	Bearing, Nylon - Weasler #04-10085	1
5	119261	Retainer, Bearing - Weasler #24-10018	1
6	119129	Kit, Cross & Bearing - Hayes #1340	1
7	119262	Grease Fitting 1/8 NPT-75°	1
8	119607	Torque Limiter Clutch Assembly - Weasler #26-11582 <b>Consists of Items #9 - 19 inclusive:</b>	1
9	119278	Yoke/Plate Assembly - Torque Limiter - Weasler #35051-1081	1
10	—	Bushing, Bronze (not sold separately)	1
11	119280	Disc, Friction - Torque Limiter - Weasler #11-10143	2
12	119608	Plate, Hub - 6 Spline Bolt Clamp - Weasler #26-10752	1
13	119282	Plate, Pressure - Torque Limiter - Weasler #10-10146	1
14	118139	Bolt, Hex 3/8 x 4 in. UNC, Gr5, Plated	6
15	119283	Spring, Compression - Torque Limiter - Weasler #23-10037	6
16	119284	Guide, Spring Washer - Torque Limiter - Weasler #11-10036	6
17	118417	Nut, Lock 3/8 in. UNC, Gr5, Plated	6
18	118112	Bolt, Hex 1/2 x 3 in. UNC, Gr5, Plated	2
19	118420	Nut, Lock 1/2 in. UNC, Gr5, Plated	2

# HYDRAULIC MOTOR DRIVE LAYOUT

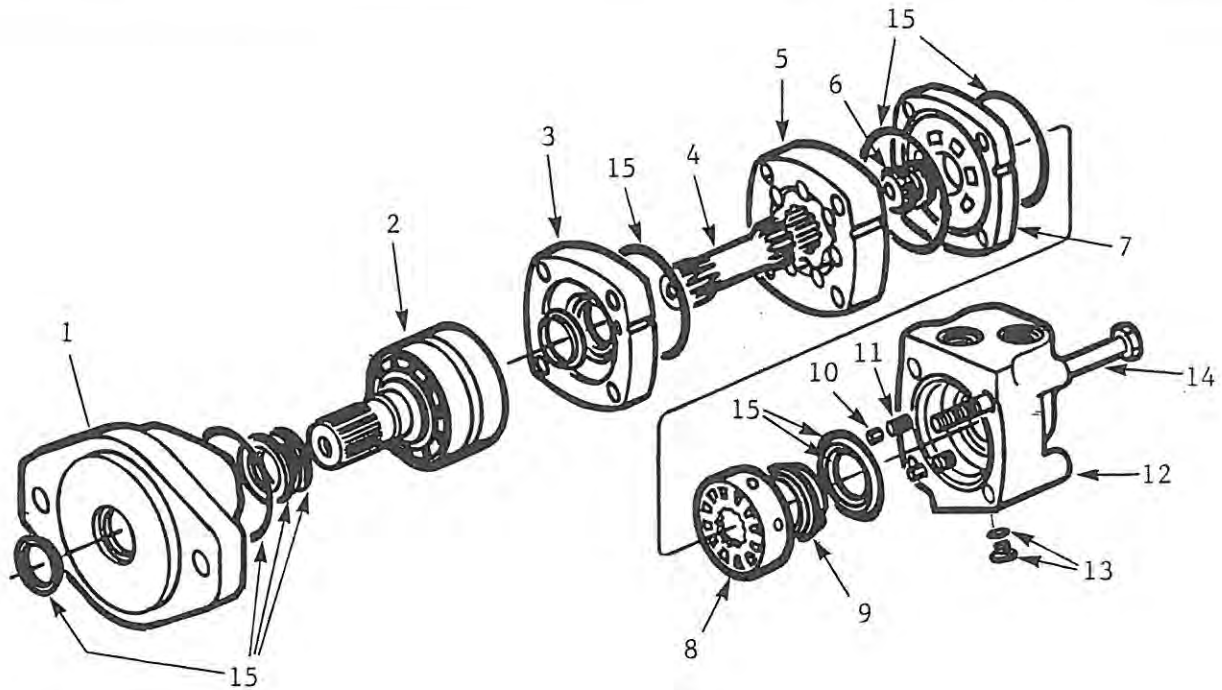




## HYDRAULIC MOTOR DRIVE LAYOUT

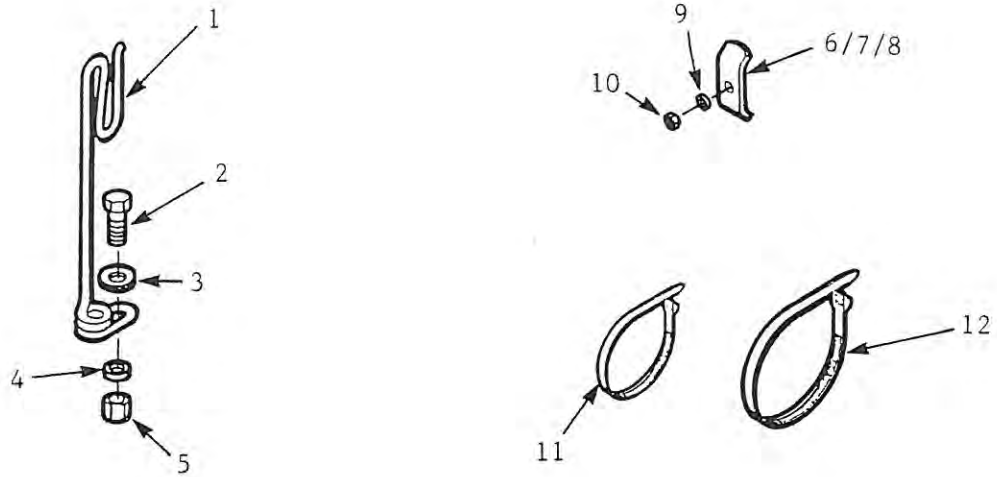
ITEM	PART No.	DESCRIPTION	QTY.
1	226560	Motor, Hydraulic 1 1/4 - 14 Spline	1
2	240606	Sprocket Assembly #80 x 14 Tooth - 14 Spline	1
3	141568	Valve, Dual Relief 700/2500 PSI - 7/8 ORB	1
4	141537	Valve, Flow Control 7/8 ORB - 2000 PSI	1
5	117023	Bearing Unit, Pillow Block - 1 3/8 in.	1
6	117024	Collar, Lock - 1 3/8 in. Bearing	1
7	117090	Insert, Bearing - 1 3/8 in.	1
8	117010	Casting, Pillow Block - 1 3/8 in. Bearing	1
9	120027	Chain, Roller #80-101 Link	1
10	120003	Link, Offset #80-Std	2
11	120002	Link, Connector #80-Std	1
12	126562	Hose 1/2 x 32 in. 2WB-3/4 JIC(F-SW)	2
13	126523	Hose 1/2 x 57 in. 2WB-3/4 JIC(F-SW)	1
14	126595	Hose 1/2 x 65 in. 2WB-3/4 JIC(F-SW)	1
15	126502	Hose 1/2 x 122 in. 2WB-3/4 JIC(F-SW)	1
16	141541	Elbow, 90° 3/4 JIC(M) x 7/8 ORB(M)	2
17	141518	Elbow, 90° 3/4 JIC(M) x 3/4 JIC(F-SW)	1
18	141539	Nipple 3/4 JIC(M) x 7/8 ORB(M)	6
19	141514	Nipple 1/2 NPT(M) x 3/4 JIC(M)	2
20	141542	Plug, Port 7/8 ORB(M)	1
21	240605	Holder, Hydraulic Motor Assembly - 4 Hole	1
22	240611	Holder, Hydraulic Flow Control	1
23	240616	Shield, Flow Control	1
24	118125	Bolt, Hex 1/4 x 2 1/2 in. UNC, Gr5, Plated	2
25	118533	Washer, Lock 1/4 in. Plated	2
26	118402	Nut, Hex 1/4 in. UNC, Gr5, Plated	2
27	118014	Bolt, Hex 1/2 x 2 in. UNC, Gr5, Plated	2
28	118504	Washer, Lock 1/2 in. Plated	2
29	118405	Nut, Hex 1/2 in. UNC, Gr5, Plated	2
30	118026	Bolt, Hex 5/8 x 2 in. UNC, Gr5, Plated	4
31	118514	Washer, Flat 5/8 in. Plated	4
32	118508	Washer, Lock 5/8 in. Plated	6
33	118407	Nut, Hex 5/8 in. UNC, Gr5, Plated	6
34	118217	Bolt, Hex 3/8 x 6 in. UNC, Gr8, Plated	1
35	118503	Washer, Lock 3/8 in. Plated	1
36	118024	Bolt, Hex 5/8 x 1 1/2 in. UNC, Gr5, Plated	2
		<b>Earlier Design</b>	
22	240612	Holder, Flow Control Assembly	1

## HYDRAULIC MOTOR-CHARLYNN



ITEM	PART No.	DESCRIPTION	QTY.
—	226560	Motor, Hydraulic - Charlynn 1 1/4 Splined Shaft #104-1214-006	1
		<b>Consists of:</b>	
1	226565	Housing, Bearing #21578-1	1
2	226566	Shaft/Bearing Assembly - Charlynn 1 1/4 Splined #21618-4	1
3	226518	Plate, Wear #21623	1
4	226519	Drive (Long Splined) #21371-7	1
5	226536	Geroler #21625-7	1
6	226520	Drive, Valve #8433	1
7	226521	Plate, Valve #21622	1
8	226522	Valve - Charlynn #21466	1
9	226523	Balance Plate #8915	1
10	226524	Pin #14351	2
11	226525	Spring #7383	2
12	226526	Housing, Valve Assembly - 7/8 ORB Ports #21564-1	1
13	226527	Plug #9072-3 (included with #12)	1
14	226531	Bolt, Special #14384-012	4
15	226539	Kit, Seal #61258	1

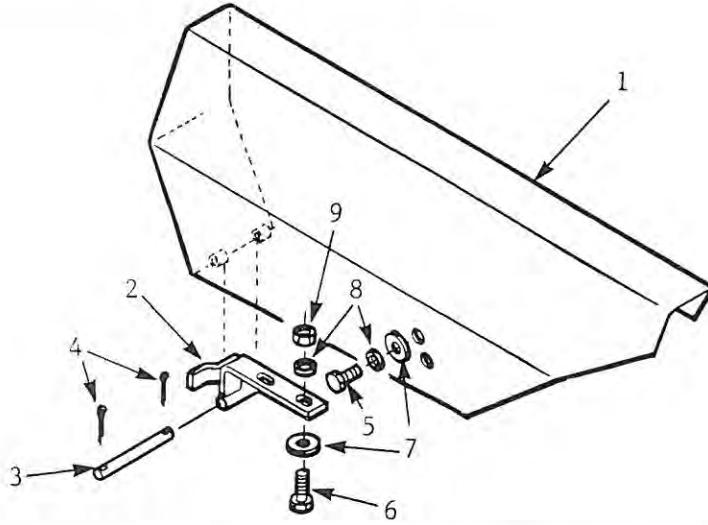
HYDRAULIC HOSE HOLDER, CLIPS & HOSE TIES



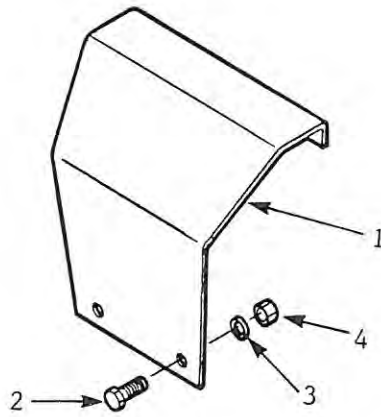
ITEM	PART No.	DESCRIPTION	QTY.
1	143111	Holder, Hose-Flexible	1
2	118026	Bolt, Hex 5/8 x 2 in. UNC, Gr5, Plated	1
3	118514	Washer, Flat 5/8 in. Plated	1
4	118508	Washer, Lock 5/8 in. Plated	1
5	118407	Nut, Hex 5/8 in. UNC, Gr5, Plated	1
6	650256	Hose Clip-2 Hose-Plated	a/r
7	660747	Hose Clip-4 Hose-Plated	a/r
8	240633	Hose Clip-6 Hose-Plated	a/r
9	118530	Washer, Lock 5/16 in. Plated	a/r
10	118427	Nut, Hex 5/16 in. UNC, Gr5, Plated	a/r
11	133008	Tie, Hose-Plastic-Black 3/32 x 9/64 x 11 in.	a/r
12	133007	Tie, Hose-Plastic-Releasable 1/16 x 1/2 x 22 in.	a/r

# SAFETY SHIELDS

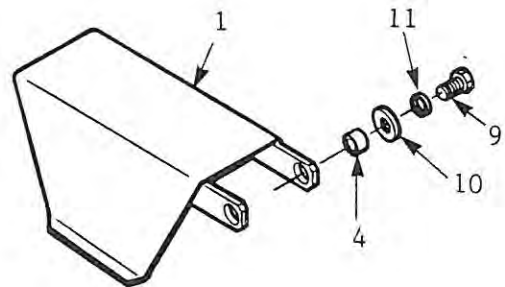
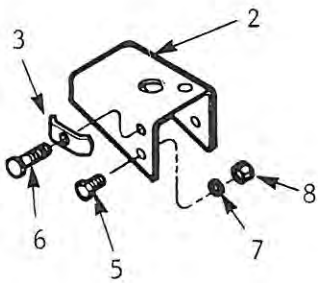
## ALL MODELS



## GROUND & HYDRAULIC DRIVE MODELS



## PTO MODELS



**SAFETY SHIELDS**

ITEM	PART No.	DESCRIPTION	QTY.
<u>ALL MODELS</u>			
1	240758	Shield, Chain - Assembly - 6800	1
2	240744	Bracket, Chain Shield - Assembly - 6800	1
3	240599	Pin 9.5 x 150mm (effective)	1
4	119323	Pin, Cotter 1/8 x 1 in. Plated	2
5	118008	Bolt, Hex 1/2 x 1 in. UNC, Gr5, Plated	1
6	118011	Bolt, Hex 1/2 x 1 1/2 in. UNC, Gr5, Plated	2
7	118512	Washer, Flat 1/2 in. Plated	3
8	118504	Washer, Lock 1/2 in. Plated	3
9	118405	Nut, Hex 1/2 in. UNC, Gr5, Plated	2

GROUND & HYDRAULIC DRIVE MODELS

1	240753	Shield - Hydraulic Motor/Clutch	1
2	118026	Bolt, Hex 5/8 x 2 in. UNC, Gr5, Plated	2
3	118508	Washer, Lock 5/8 in. Plated	2
4	118407	Nut, Hex 5/8 in. UNC, Gr5, Plated	2

PTO MODELS

1	240610	Shield, Torque Limiter - 920 Box - RP/S4	1
2	{ 240530	Shield, Drive Line Bracket (c/w 540 PTO Decal) }	1
	{ 240531	Shield, Drive Line Bracket (c/w 1000 PTO Decal) }	
3	650256	Hose Clip-2 Hose-Plated	2
4	240402	Bushing 18 OD x 1.1 Wall x 12mm-Galvanized	2
5	118110	Bolt, Hex 5/16 x 1 in. UNC, Gr5, Plated	2
6	118121	Bolt, Hex 5/16 x 2 in. UNC, Gr5, Plated	2
7	118530	Washer, Lock 5/16 in. Plated	4
8	118427	Nut, Hex 5/16 in. UNC, Gr5, Plated	4
9	118009	Bolt, Hex 1/2 x 1 1/4 in. UNC, Gr5, Plated	2
10	118512	Washer, Flat 1/2 in. Plated	2
11	118504	Washer, Lock 1/2 in. Plated	2

DECALS

<p><b>⚠ DANGER</b></p>  <p><b>ROTATING DRIVELINE CONTACT CAN CAUSE DEATH KEEP AWAY!</b></p> <p><b>DO NOT OPERATE WITHOUT -</b></p> <ul style="list-style-type: none"> <li>All driveline, tractor and equipment shields in place.</li> <li>Drivelines securely attached at both ends.</li> <li>Driveline shields that turn freely on driveline.</li> </ul>	<p><b>⚠ DANGER</b></p>  <p><b>LIGNE DE TRANSMISSION ROTATIVE LE CONTACT PEUT ENTRAÎNER LA MORT NE PAS S'EN APPROCHER</b></p> <p><b>NE PAS FAIRE FONCTIONNER SI -</b></p> <ul style="list-style-type: none"> <li>TOUTS LES PROTECTEURS DE LIGNE DE TRANSMISSION DE TRACTEUR ET D'ÉQUIPEMENT NE SONT PAS EN PLACE.</li> <li>LES LIGNES DE TRANSMISSION NE SONT PAS SOLIDEMENT FIXÉES AUX DEUX EXTRÉMITÉS.</li> <li>LES PROTECTEURS DE LIGNES DE TRANSMISSION NE TOURNENT PAS LIBREMENT SUR LA LIGNE DE TRANSMISSION.</li> </ul>	<p><b>⚠ DANGER</b></p> <p><b>SE TENIR À L'ÉCART</b></p> <p>Peut causer des blessures graves et même mortelles.</p> <ul style="list-style-type: none"> <li>Se tenir à distance lorsque la machine est en marche.</li> <li>Tenir toute personne à distance.</li> </ul>	<p><b>⚠ DANGER</b></p>  <p><b>THROWN ROCK HAZARD</b></p> <p>Can cause serious injury or death</p> <ul style="list-style-type: none"> <li>Stay away from machine when operating.</li> <li>Keep others away.</li> </ul>	<p><b>⚠ DANGER</b></p>  <p><b>ROTATING DRIVELINE</b></p> <p>Can cause serious injury or death</p> <ul style="list-style-type: none"> <li>Keep all guards and shields in place when operating.</li> <li>Operate only at 540 RPM.</li> </ul> <p><b>LIGNE DE COMMANDE ROTATIVE</b></p> <p>Peut causer des blessures graves et même mortelles.</p> <p>Tenir tous les garde de sécurité en place pendant que la machine est en marche.</p> <p>Opère à 540 RPM.</p>	<p><b>⚠ DANGER</b></p>  <p><b>ROTATING DRIVELINE</b></p> <p>Can cause serious injury or death</p> <ul style="list-style-type: none"> <li>Keep all guards and shields in place when operating.</li> <li>Operate only at 1000 RPM.</li> </ul> <p><b>LIGNE DE COMMANDE ROTATIVE</b></p> <p>Peut causer des blessures graves et même mortelles.</p> <p>Tenir tous les garde de sécurité en place pendant que la machine est en marche.</p> <p>Opère à 1000 RPM.</p>
--	--	--	--	--	--

**⚠ AVERTISSEMENT**

**⚠ WARNING**

**MISSING SHIELD**

Peut causer des blessures graves et même mortelles.

Inspecter l'écran protecteur avant d'utiliser la machine.

**⚠ AVERTISSEMENT**

**⚠ WARNING**



**ROTATING PART HAZARD**

Peut causer des blessures graves et même mortelles.

Inspecter les pièces avant d'utiliser la machine.

**⚠ AVERTISSEMENT**


**⚠ WARNING**




**ROTATING PART HAZARD**

Peut causer des blessures graves et même mortelles.

Inspecter les pièces avant d'utiliser la machine.

<p><b>⚠ AVERTISSEMENT</b></p> <p><b>⚠ WARNING</b></p> <p><b>LIQUID UNDER PRESSURE</b></p> <p>Peut causer des blessures graves et même mortelles.</p> <p>Ne pas ouvrir les couvercles avant d'arrêter la machine.</p>		<p><b>⚠ AVERTISSEMENT</b></p> <p><b>⚠ WARNING</b></p> <p><b>HIGH PRESSURE FLUID HAZARD</b></p> <p>Peut causer des blessures graves et même mortelles.</p> <p>Ne pas ouvrir les couvercles avant d'arrêter la machine.</p>
--	---	---

<p><b>⚠ AVERTISSEMENT</b></p> <p><b>⚠ WARNING</b></p> <p><b>LIQUID UNDER PRESSURE</b></p> <p>Peut causer des blessures graves et même mortelles.</p> <p>Ne pas ouvrir les couvercles avant d'arrêter la machine.</p>		<p><b>⚠ AVERTISSEMENT</b></p> <p><b>⚠ WARNING</b></p> <p><b>HIGH PRESSURE FLUID HAZARD</b></p> <p>Peut causer des blessures graves et même mortelles.</p> <p>Ne pas ouvrir les couvercles avant d'arrêter la machine.</p>
--	---	---

<p><b>⚠ ATTENTION</b></p> <p>1. Lire les avertissements de sécurité de l'opérateur avant de commencer.</p> <p>2. Inspecter et ajuster tous les systèmes de sécurité avant de commencer l'utilisation de la machine.</p> <p>3. Arrêter la machine avant de faire des ajustements, des réparations, des réglages ou des opérations.</p> <p>4. Ne pas utiliser la machine sans les protections appropriées en place.</p> <p>5. Assurer que toutes les parties de la machine sont correctement alignées et serrées avant de commencer l'utilisation.</p> <p>6. Ne pas utiliser la machine si elle est endommagée ou si elle ne fonctionne pas correctement.</p> <p>7. Ne pas utiliser la machine si elle est endommagée ou si elle ne fonctionne pas correctement.</p> <p>8. Ne pas utiliser la machine si elle est endommagée ou si elle ne fonctionne pas correctement.</p> <p>9. Ne pas utiliser la machine si elle est endommagée ou si elle ne fonctionne pas correctement.</p> <p>10. Ne pas utiliser la machine si elle est endommagée ou si elle ne fonctionne pas correctement.</p> <p>11. Ne pas utiliser la machine si elle est endommagée ou si elle ne fonctionne pas correctement.</p>	<p><b>⚠ CAUTION</b></p> <p>1. Read and understand Operator's Manual before operating.</p> <p>2. Inspect and adjust all safety systems before operating.</p> <p>3. Clear the area of bystanders, especially small children, before starting.</p> <p>4. Keep hands, feet, hair and clothing away from rotating parts.</p> <p>5. Lower grilles to the ground, keep tractor engine, and joint heads, leveling cylinders they are used for all working parts to keep leveling, counteracting, unloading, unloading of transporting.</p> <p>6. Use a locking pin or pin for to discharge water or oil from pressure transmission grille and position. Do not use hands.</p> <p>7. Reduce pressure before working on hydraulic systems. Use a piece of wood or cardboard when working on hoses.</p> <p>8. Stay away from PTOs when operating to prevent being hit by flying metal. Keep others away.</p> <p>9. Turn tractor to the left when operating to keep safe away from flying metal.</p> <p>10. Review safety instructions carefully.</p>
--	---

**IMPORTANT**

**GRILLE PREPARATION**

Remove red transport pins before operating.

**PRÉPARATION DE LA GRILLE**

Retirer les goupilles de transport (rouges) avant la mise en marche de la machine.

**IMPORTANT**

Overtightening torque limiter will cause serious damage to gearbox.

Un serrage excessif du régulateur de torsion endommagera la boîte d'engrenages.

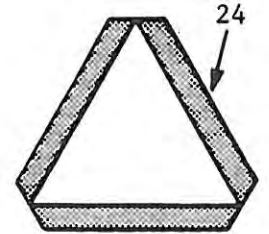
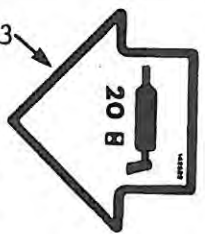
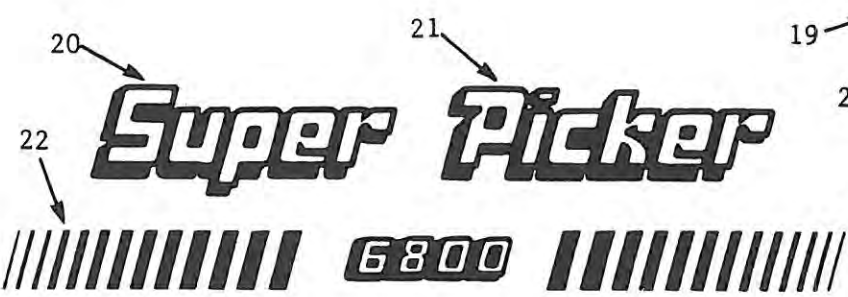
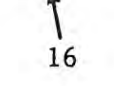
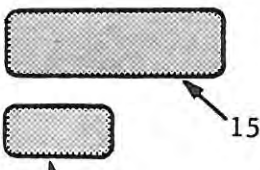
**IMPORTANT**

**HITCH POLE PREPARATION**

Fully extend both threaded sections of hydraulic cylinder nut before operating machine in field.

**PRÉPARATION DE LA PÔLE**

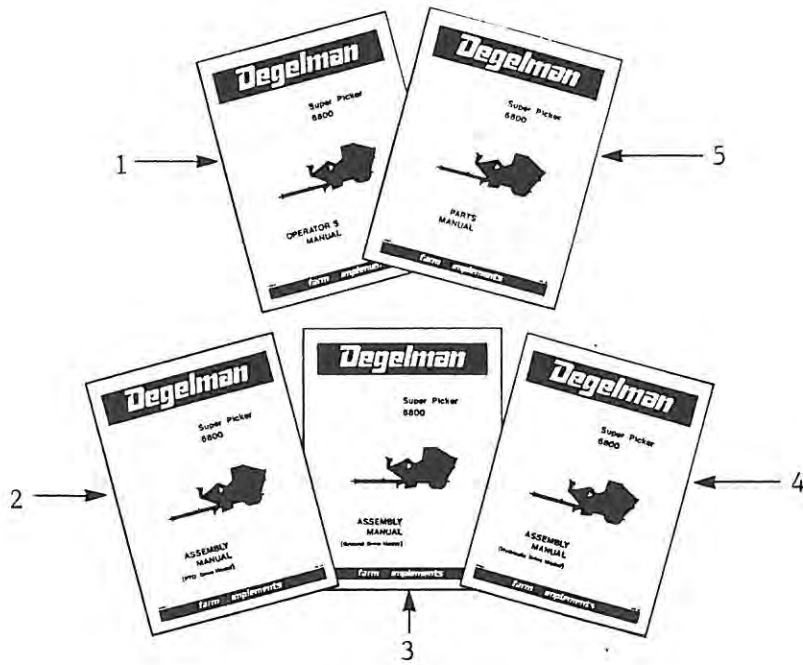
Ouvrir à fond les deux sections filetés du cylindre hydraulique en utilisant l'écrou avant de se servir de la machine sur le terrain.



**DECALS**

ITEM	PART No.	DESCRIPTION	QTY.
1	383333	Decal - Danger - Rotating Drive Line - Waltersheid	2
2	279561	Decal - Danger "Linge de..." - Waltersheid	2
3	142364	Decal - Danger - Thrown Rock	2
4	142372	Decal - Danger - Rotating Drive Line - 540 PTO	1
5	142373	Decal - Danger - Rotating Drive Line - 1000 PTO	1
6	142357	Decal - Warning - Missing Shield	1
7	142358	Decal - Warning - Rotating Part - U-Joint	1
8	142359	Decal - Warning - Rotating Part - Chain	1
9	142360	Decal - Warning - Jammed Paddle	2
10	142363	Decal - Warning - High Pressure	1
11	142356	Decal - Caution - 1-10 Points of Safety	1
12	142365	Decal - Important - Grille Preparation	1
13	142367	Decal - Important - Overtightening Torque Limiter	1
14	142371	Decal - Important - Hitch Pole Preparation	1
15	142280	Reflector Tape - 50 x 160mm - Red	2
16	142279	Reflector Tape - 43 x 82mm - Amber	1
17	142010	Decal - Degelman - 2 3/4 x 12 in. long	1
18	142009	Decal - Degelman - 3 3/4 x 16 1/4 in. long	2
19	142008	Decal - Degelman - 6 x 25 3/4 in. long	1
20	142248	Decal - Super - 148 x 416mm long	2
21	142250	Decal - Picker - 125 x 455mm long	2
22	142342	Decal - 6800 - 85 x 1055mm long	2
23	142322	Decal - Grease - 20 Hours (previous design models only)	2
24	142156	Decal - Slow Moving Vehicle	1

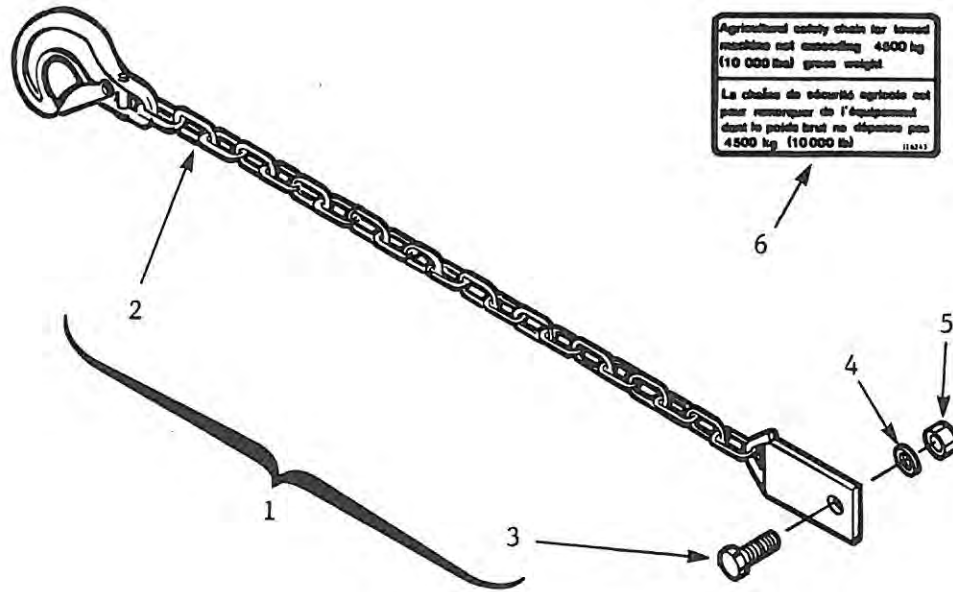
PUBLICATIONS



ITEM	PART No.	DESCRIPTION	QTY.
1	142345	Manual - RP/S4-6800-Operators	1
2	142346	Manual - RP/S4-6800-PTO Assembly	1
3	142347	Manual - RP/S4-6800-Ground Drive Assembly	1
4	142348	Manual - RP/S4-6800-Hydraulic Drive Assembly	1
5	142349	Manual - RP/S4-6800-Parts	1



# SAFETY CHAIN



ITEM	PART No.	DESCRIPTION	QTY.
1	116245	Carton - Safety Chain - 4500 Kg <b>consists of:</b>	1
2	116244	Chain, Safety - Assembly - 4500 Kg c/w Items #3, 4, 5, & 6	1
3	118043	Bolt, Hex 3/4 x 2 in. UNC, Gr5, Plated	1
4	118509	Washer, Lock 3/4 in. Plated	1
5	118410	Nut, Hex 3/4 in. UNC, Gr5, Plated	1
6	116243	Decal, Identification "Ag Safety Chain"	1

**NOTES**

# ***Degelman***

## **WE PROVIDE**

- **complete operating instructions.**
- **complete repair parts lists.**
- **written warranty protection.**
- **ten year parts availability.**

**—— Quality in Equipment ——**

**BEST IN THE FIELD WHERE IT COUNTS . . .**

**DEGELMAN INDUSTRIES LTD.**

**272 INDUSTRIAL DRIVE**

**REGINA, SASK.,**

**CANADA S4P 3B1**

**PHONE (306) 543-4447**

**FAX (306) 543-2140**