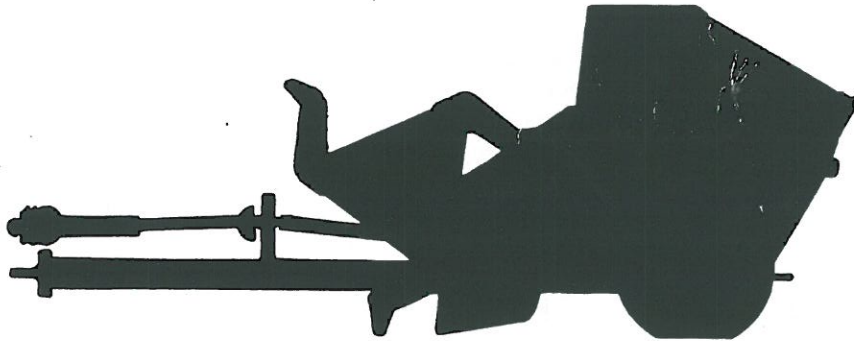


Degelman

**Super Picker
7800**



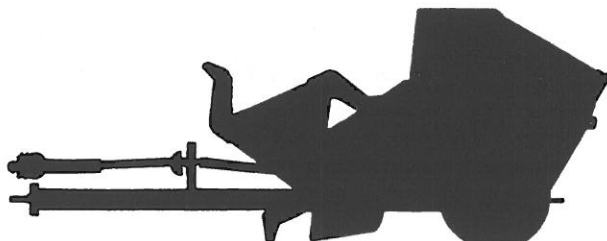
**PARTS
MANUAL**

142378

Jan 95
JAN 91

farm implements

INTRODUCTION



When ordering replacement parts be sure to include the machine Model Number and Serial Number along with the Part Number, Description and Quantity of component required.

"Right Hand" (RH) and "Left Hand" (LH) sides are determined by facing in the direction of forward travel.

This manual contains both Imperial Units of measure (inches-in./feet-ft.) and SI Metric Units of measure (millimetres-mm/metres-m).

Record for handy reference the machine model number, serial number and date of purchase to assist your dealer in providing you with prompt and efficient service. For your convenience, a space is provided for recording this information.

Model No. _____

Serial No. _____

Date of Purchase _____

If any questions arise related to the replacement parts of this machine, please feel free to contact the manufacturer. Direct inquiries to :

Degelman Industries Ltd.
P. O. Box 830
272 Industrial Drive
Regina, Saskatchewan
S4P 3B1
Canada
Telephone: (306) 543-4447
FAX: (306) 543-2140

Degelman Industries Ltd. reserves the right to make alterations and/or improvements to its products at any time without incurring any obligations to make such changes to products previously manufactured.

Printed in Canada

CONTENTS

BASIC COMPONENTS

Frame Components	2
Grille	3
Hopper Box and Rock Guard Components	4
Reel Shaft and Paddles	6
Hitch Pole	7
Hub and Spindle	8
Wheel Unit.....	9

DRIVE COMPONENTS

PTO Drive Layout	10
Slider Shaft c/w Quick Disconnect - Weasler - 14NW	12
Drive Shaft c/w Torque Limiter - Weasler	13
Gear Box 4.11:1 - Hub City	14
Chain Tightener and Spring	16

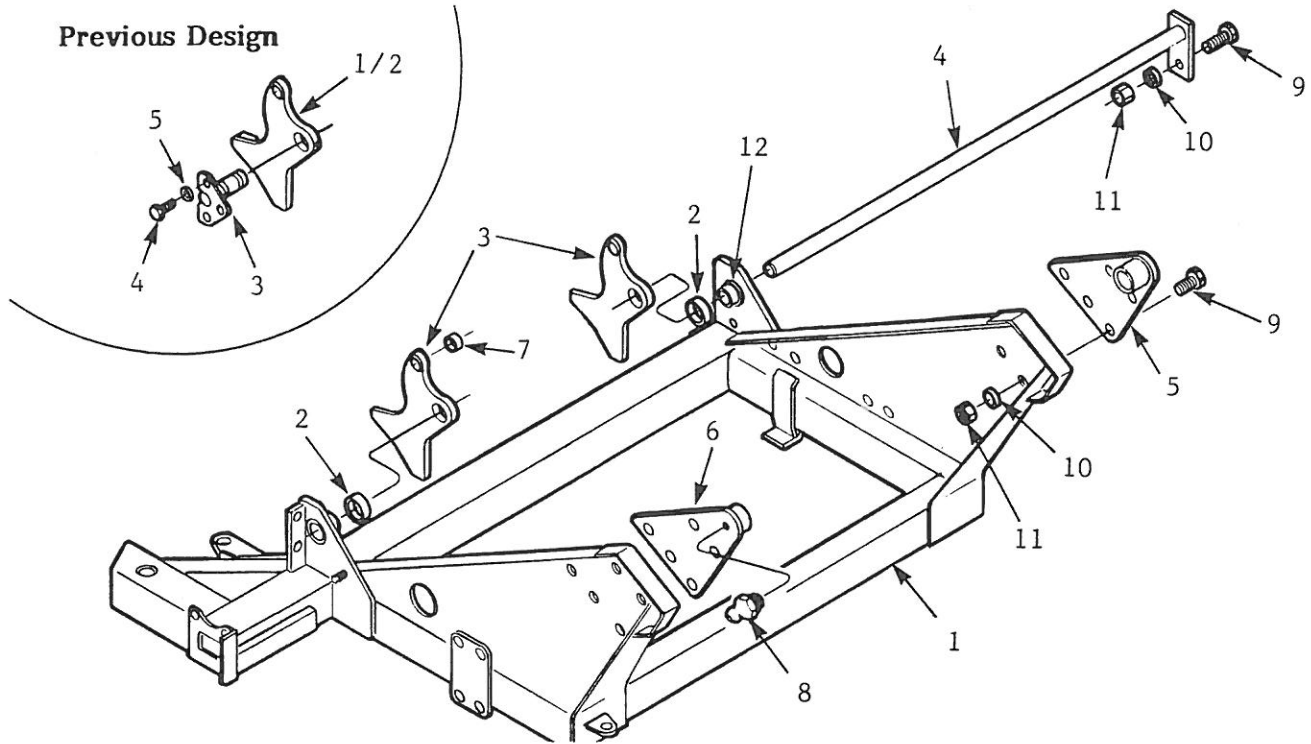
HYDRAULIC LAYOUTS and COMPONENTS

Hydraulic Hose Holder, Clips and Hose Ties	17
Hydraulic Layout	18
Hydraulic Cylinder 3 x 8 in. Stroke - DIL.....	20
Hydraulic Cylinder 3 ½ x 34 in. Stroke - DIL	21

MISCELLANEOUS

Safety Shields and Guards	22
Safety Chain	23
Decals	24
Publications	26

FRAME COMPONENTS

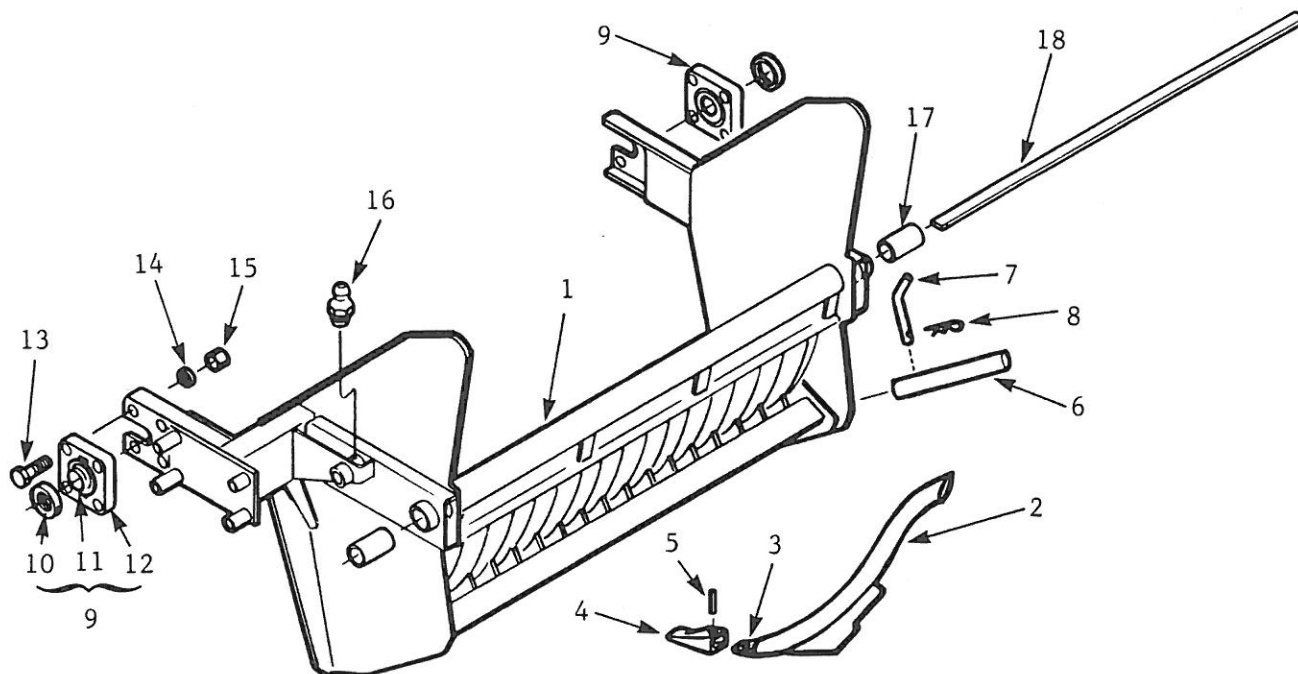


ITEM	PART No.	DESCRIPTION	QTY.
1	240911	Frame Assembly - RP/S5-7800	1
2	240499	Bushing 101.6 OD x 88.5 ID x 25mm long-Nylatron	2
3	241002	Floatation Assembly - RP/S5-7800	2
4	241004	Pin Assembly - 57.2 dia. x 2027mm (effective)-Coated	1
5	240311	Pivot, Box - RH - RP/S3	1
6	240313	Pivot, Box - LH - RP/S3	1
7	117111	Bushing 1 1/2 OD x 1/8 Wall x 1 in. long - Spring Steel	2
8	118335	Grease Fitting 1/4-28 AMNF-Straight	2
9	118026	Bolt, Hex 5/8 x 2 in. UNC, Gr5, Plated	11
10	118508	Washer, Lock 5/8 in. Plated	11
11	118407	Nut, Hex 5/8 in. UNC, Gr5, Plated	11
12	240917	Bushing, Hub - Frame - 7800 (2 1/4 in. ID nominal) - Weld-on	2

Previous Design

1	240942	Floatation Assembly - RH - RP/S5-7800 c/w Grease Fitting	1
2	240940	Floatation Assembly - LH - RP/S5-7800 c/w Grease Fitting	1
3	240512	Pin Assembly - 72 dia. x 245mm (effective) - Hardened	2
4	118186	Bolt, Hex 1/2 x 1 1/4 in. UNC, Gr8, Plated	6
5	118504	Washer, Lock 1/2 in. Plated	6

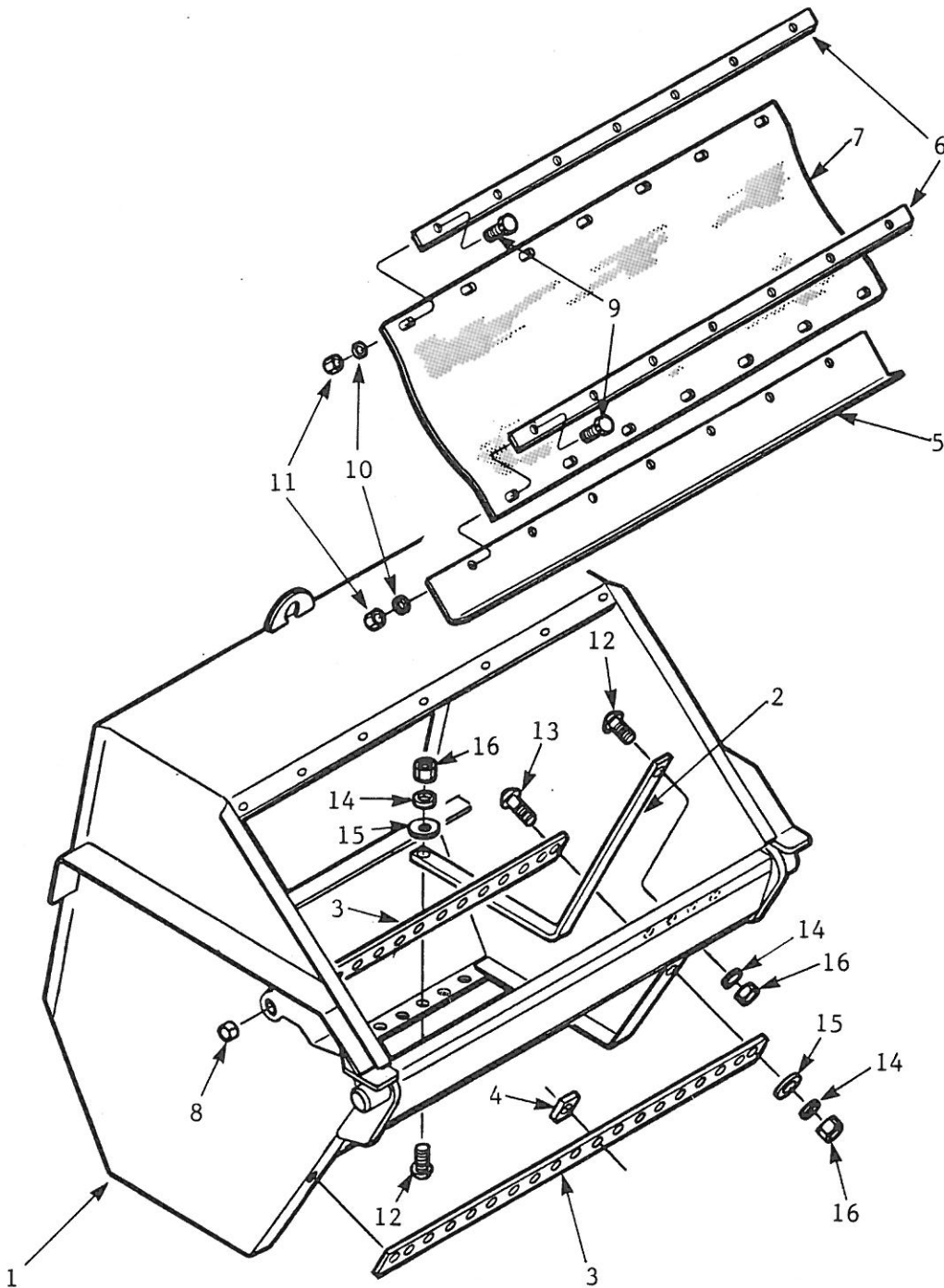
GRILLE



ITEM	PART No.	DESCRIPTION	QTY.
1	240934	Grille Assembly - RP/S5-7800	1
2	240922	Tooth Assembly - Grille-7800 (weld-on)	a/r
3	240925	Cast Stub - Grille Tooth (weld-on)	a/r
4	240927	Cast Tip - Grille Tooth	19
5	118857	Pin, Roll 3/8 x 2 in.	19
6	240278	Shaft, Transport Lock - RP/S2-Red	1
7	240277	Pin 20 x 54mm long (effective)-Red	1
8	118830	Pin, Hair 4.5 x 83mm, Plated	1
9	117112	Bearing Unit, Flange - 4 Hole - 2 7/16 in.-heavy duty	2
10	117022	Collar, Lock 2 7/16 in. Bearing	2
11	117106	Insert, Bearing 2 7/16 in.	1
12	240325	Housing, Bearing - 38 Plate - 4 Hole - 2 7/16 in.	1
13	118030	Bolt, Hex 5/8 x 3 in. UNC, Gr5, Plated	8
14	118508	Washer, Lock 5/8 in. Plated	8
15	118407	Nut, Hex 5/8 in. UNC, Gr5, Plated	8
16	118335	Grease Fitting 1/4 - 28 AMNF Thread-Straight	1
17	117121	Bushing 72.77 OD x 57.66 ID x 101mm long-Nylatron	2
18	240938	Bar 4.8 x 25.4 x 1705mm	1

NOTE: Remove Items #17 and #18 to fit previous models which have the two short grille pins (see Previous Design on Page #2)

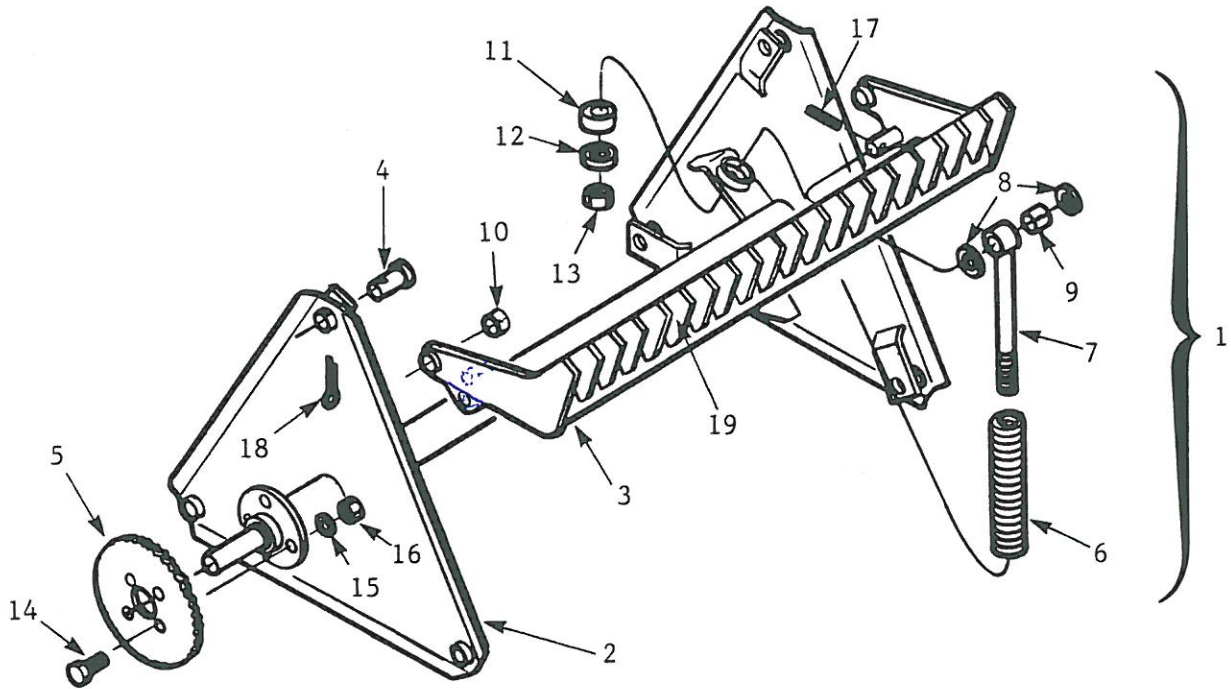
HOPPER BOX and ROCK GUARD COMPONENTS



HOPPER BOX and ROCK GUARD COMPONENTS

ITEM	PART No.	DESCRIPTION	QTY.
1	240359	Box, Hopper - RP/S3	1
2	240419	Strap, Box - RP/S3-9 x 50 x 1376mm	16
3	240251	Bar, Bolt - 19 Holes-64 & 95mm hole centres	2
4	240156	Bar, Spacer - 1 Hole-9 x 42 x 50mm long	17
5	240969	Stiffener, Flap - RP/S5-7800	1
6	240374	Bar, Bolt - 7 Hole-280mm hole centres	2
7	240238	Flap, Rock 915 x 1870mm long	1
8	117111	Bushing 1 1/2 OD x 1/8 Wall x 1 in. long-Spring Steel	2
9	118136	Bolt, Hex 3/8 x 1 1/2 in. UNC, Gr5, Plated	14
10	118503	Washer, Lock 3/8 in. Plated	14
11	118403	Nut, Hex 3/8 in. UNC, Gr5, Plated	14
12	118218	Bolt, Carriage 1/2 x 1 1/2 in. UNC, Gr5, Plated	32
13	118219	Bolt, Carriage 1/2 x 2 in. UNC, Gr5, Plated	19
14	118504	Washer, Lock 1/2 in. Plated	51
15	118512	Washer, Flat 1/2 in. Plated	35
16	118405	Nut, Hex 1/2 in. UNC, Gr5, Plated	51

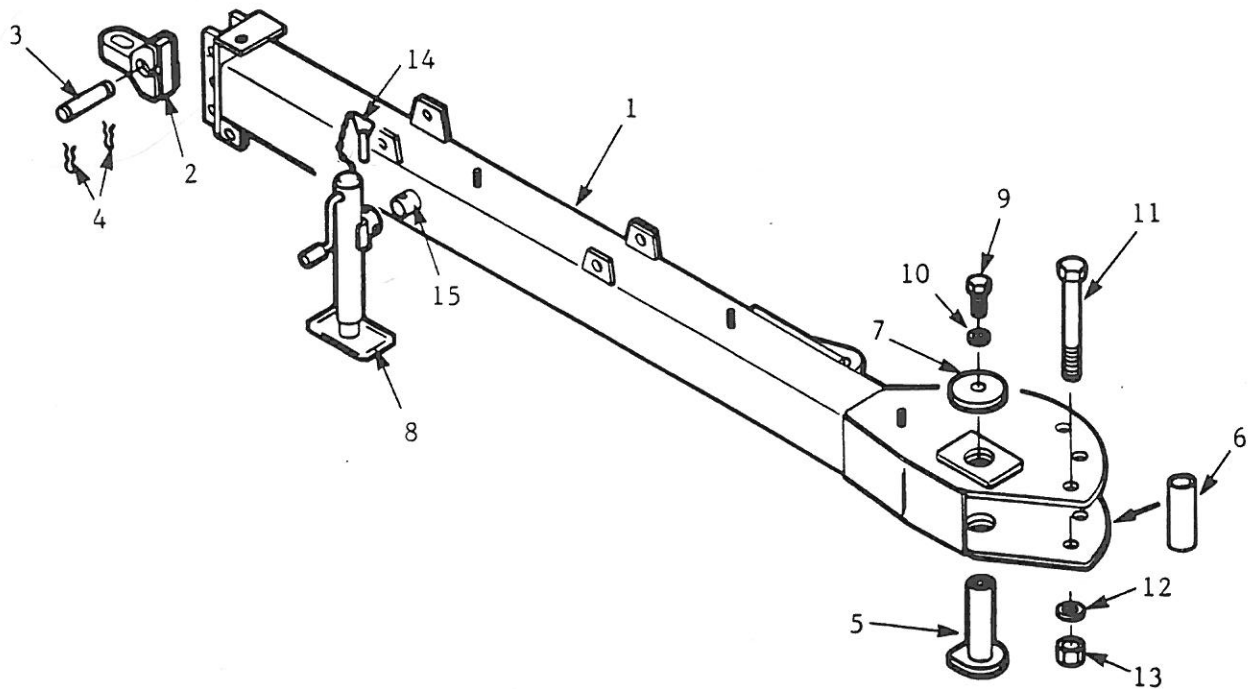
REEL SHAFT and PADDLES



ITEM	PART #	DESCRIPTION	QTY.
1.	240945	Shaft/Paddle Assembly - RP/S5-7800	1
2.	240947	Shaft, Reel Assembly - RP/S5-7800	1
3.	240956	Paddle Assembly - RP/S5-7800	3
4.	240288	Pin Assembly 38-1 x 77 mm (effective) - Coated	6
5.	122037	Sprocket 100A44 x 140mm Bore	1
6.	143029	Spring, Compression - 76 OD x 460 mm long	6
7.	240963	Bolt, Eye - Reel 1 1/4 in. UNC x 545 mm long	6
8.	240286	Bushing, Machinery - 1 1/2 in. Nominal - Plated	12
9.	117108	Bushing 1 3/4 OD x 1/8 Wall x 2 1/2 in. - Spring Steel	6
10.	117103	Bushing 1 3/4 OD x 1/8 Wall x 1 1/2 in. - Spring Steel	6
11.	240018	Bumper Pad 33 x 75 x 20 mm - Urethane	6
12.	240327	Washer, Flat 3 x 90 x 12 mm	6
13.	118445	Nut, Lock 1 1/4 in. UNC, Gr. 5, Plated	6
14.	118047	Bolt, Hex 3/4 x 2 1/2 in. UNC, Gr. 5, Plated	4
15.	118509	Washer, Lock 3/4 in. Plated	4
16.	118410	Nut, Hex 3/4 in. UNC, Gr5, Plated	4
17.	118845	Pin, Roll 5/16 x 2 1/2 in.	6
18.	118880	Pin, Cotter 1/2 x 3 in.	6
19.	240338	Tooth, Paddle - RP/S3 - Hard Surfaced (weld-on)	18

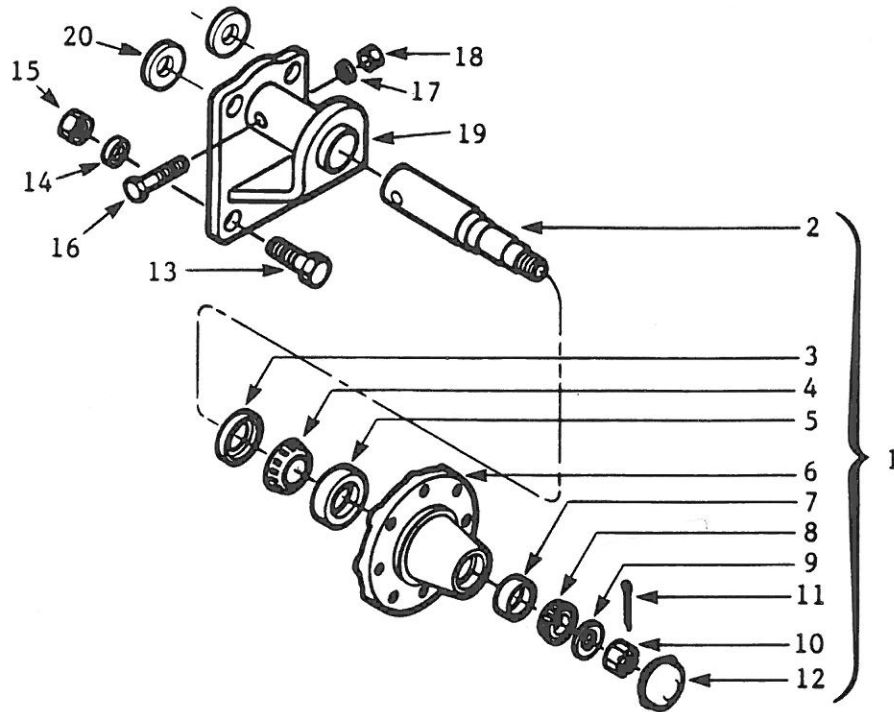
(S/B 240941

HITCH POLE COMPONENTS



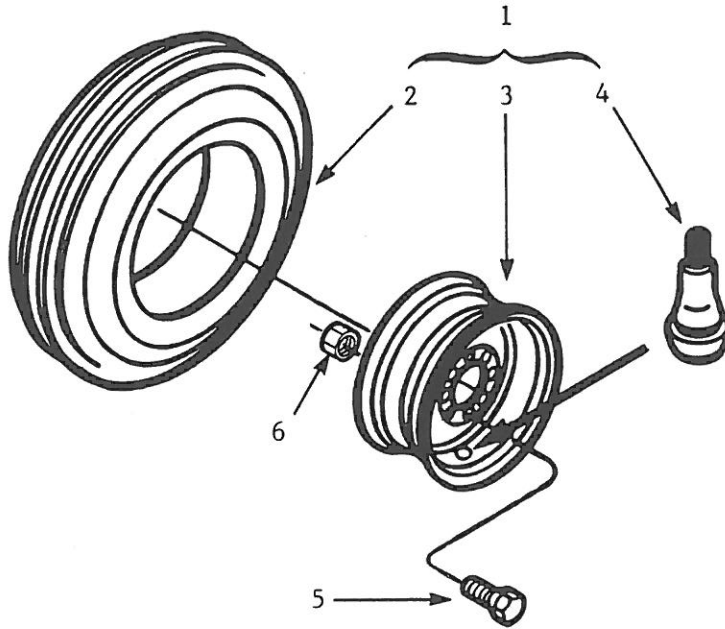
ITEM	PART No.	DESCRIPTION	QTY.
1	240516	Pole Assembly - RP/S4-6800	1
2	240208	Lug, Hitch Assembly	1
3	121944	Pin 25.4 x 110mm (effective)-Plated-N/D	1
4	118882	Pin, Hair 3/16 x 2 3/4 in.-Plated-N/D	2
5	240042	Pin Assembly 52 x 205mm long (effective)	1
6	240094	Bushing 39.7 OD x 6.4 Wall x 154mm long	2
7	229030	Washer, Flat 20 ID x 102 OD x 9mm	1
8	132005	Jack, Side Wind SWS-150-DTSE	1
9	118040	Bolt, Hex 3/4 x 1 1/2 in. UNC, Gr5, Plated	1
10	118509	Washer, Lock 3/4 in. Plated	1
11	118113	Bolt, Hex 1 x 9 in. UNC, Gr5, Plated	2
12	118510	Washer, Lock 1 in. Plated	2
13	118412	Nut, Hex 1 in. UNC, Gr5, Plated	2
14	118879	Pin, Hitch Jack 9/16 in. dia.	1
Weld-on Replacement Part			
15	132015	Bushing 50.8 OD x 6.4 Wall x 58mm-Jack Bracket	1

HUB and SPINDLE



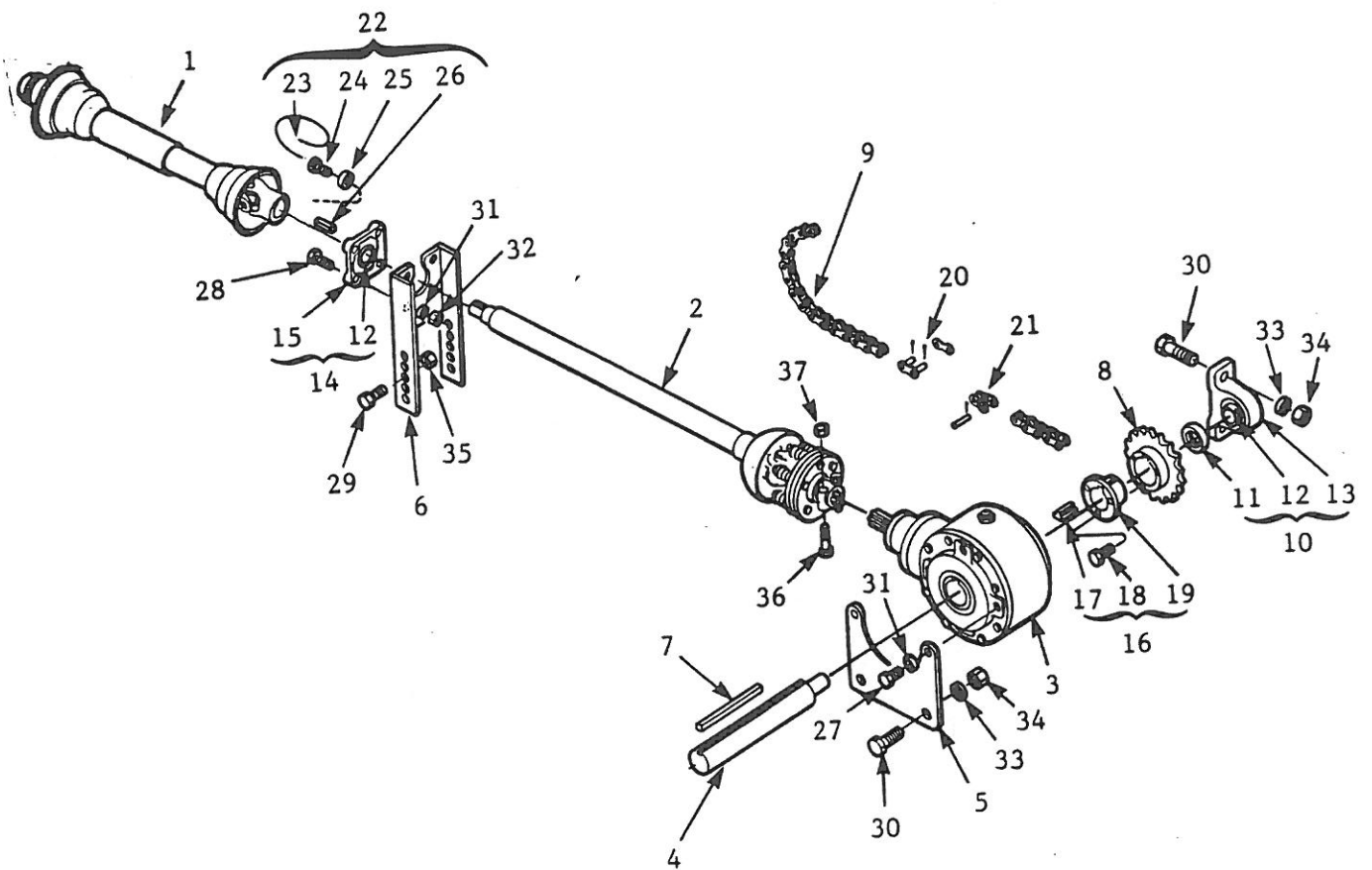
ITEM	PART No.	DESCRIPTION	QTY.
1	240387	Hub/Spindle Assembly - H812B - RP/S3	1
2	131306	Spindle - S812B - 2.5 x 15 1/2 in. - CRS	1
3	131184	Seal, Dust - CR#25100 - 2 1/2 in. ID	1
4	131295	Cone, Bearing - #3767 - 2.063 in. ID	1
5	131180	Cup, Bearing - #3720 - 3.672 in. OD	1
6	131094	Hub - H812 c/w Cups	1
7	131071	Cup, Bearing #2720 - 3.000 in. OD	1
8	131294	Cone, Bearing #2789 - 1.563 in. ID	1
9	118553	Washer, Flat 1 1/16 x 2 x 3/16 in.	1
10	118423	Nut, Slotted 1 in, UNS, Gr5	1
11	118835	Pin, Cotter 3/16 x 1 1/2 in. long	1
12	131093	Cap, Hub - H812 Hub	1
13	118050	Bolt, Hex 3/4 x 3 in. UNC, Gr5, Plated	4
14	118509	Washer, Lock 3/4 in. Plated	4
15	118410	Nut, Hex 3/4 in. UNC, Gr5, Plated	4
16	118126	Bolt, Hex 1/2 x 4 in. UNC, Gr5, Plated	1
17	118504	Washer, Lock 1/2 in. Plated	1
18	118405	Nut, Hex 1/2 in. UNC, Gr5, Plated	1
19	240015	Holder, Axle - RP/S2 & S3	1
20	118516	Washer, Flat 3/4 in. Plated	2

WHEEL UNIT



ITEM	PART No.	DESCRIPTION	QTY.
1	240386	Wheel Assembly - 16.5L x 16.1 - 6 Ply - 3/8 in. Positive	2
2	127011	Tire, Tubeless - 16.5L x 16.1 - 6 Ply	1
3	130999	Rim, Wheel W11C - 16.1 - 8 Bolt - 3/8 in. Positive	1
4	127006	Valve Stem - TR415	1
5	118314	Bolt, Wheel 9/16 x 1 3/4 in. UNF, Gr5, Plated	8
6	118406	Nut, Hex 9/16 in. UNF, Gr5, Plated	8

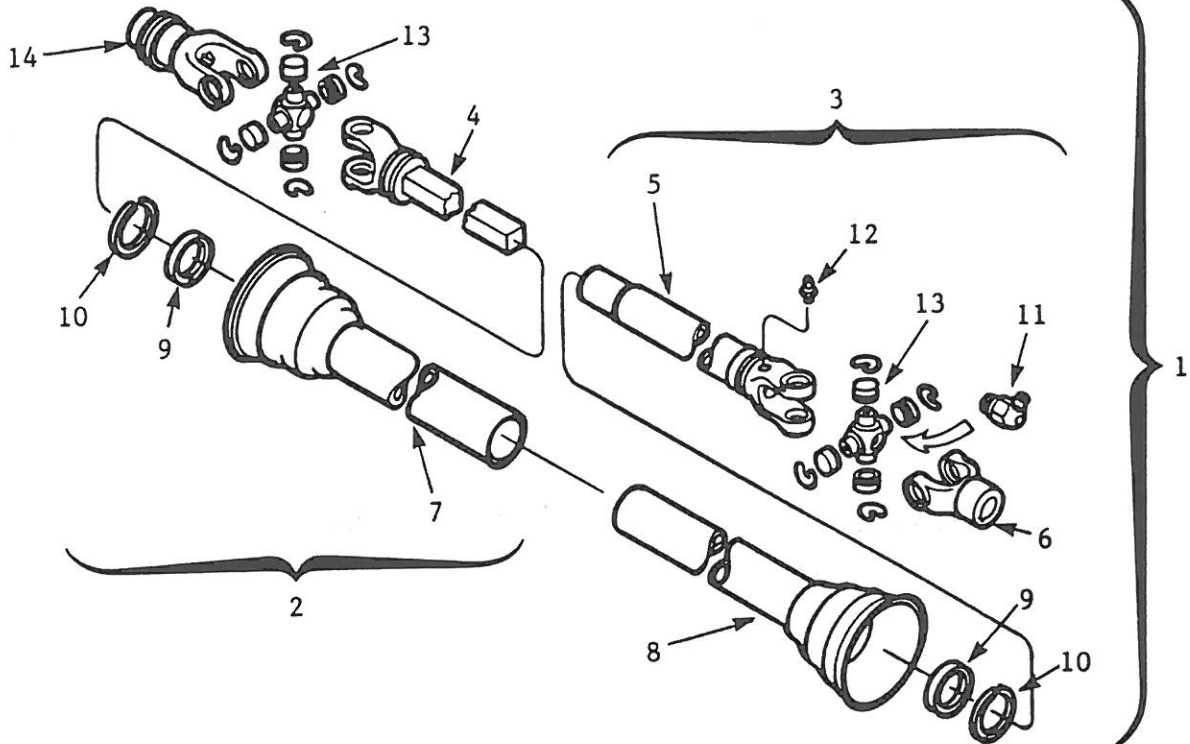
PTO DRIVE LAYOUT



PTO DRIVE LAYOUT

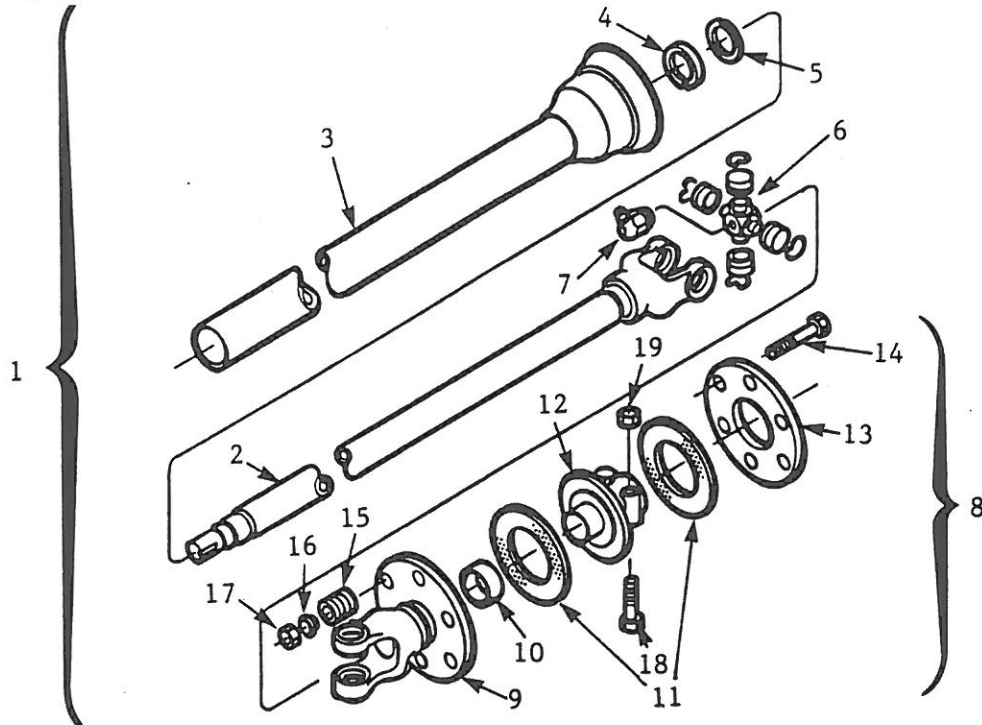
ITEM	PART #	DESCRIPTION	QTY.
1.	119251	Shaft, Slider 28.1 in. - Weasler - 14NW - 6 Spline Q.D. (540 PTO)	1
2.	119644	Shaft, Drive 84.25 in. - Weasler c/w Torque Limiter - 6 Spline Clamp	1
3.	119360	Gear Box 4.11:1 - Hub City "M920" Splined	1
4.	240348	Shaft, Gear Box 61.9 x 500 mm	1
5.	240455	Plate, Gear Box Holder - 9 mm thick	1
6.	240526	Bracket, Drive Line Support - Assembly	1
7.	119032	Key 15.9 x 15.9 x 200 mm	1
8.	122018	Sprocket, # 100 Q17 Tooth -Tapered Bore	1
9.	120034 120024	Chain, Roller #100 99 Link 97 Link	1
10.	117023	Bearing Unit, Pillow Block 1 3/8 in.	1
11.	117024	Collar, Lock 1 3/8 in. Bearing	1
12.	117090	Insert, Bearing 1 3/8 in.	1
13.	117010	Casting, Pillow Block 1 3/8 in. Bearing	1
14.	117089	Bearing Unit, Flanged, 4 Hole - 1 3/8 in.	1
15.	117091	Casting Flange 4 Hole - 1 3/8 in. Bearing	1
16.	122021	Kit, Split Taper Bushing 2 7/16 in.	1
17.	122020	Key, Stepped 5/8 x 11/16 x 2 1/2 in.	1
18.	118129	Bolt, Hex 3/8 x 1 1/4 in. UNC, Gr5, Plated	3
19.	--	Bushing, Tapered	1
20.	120005	Link, Connector #100-Std	1
21.	120006	Link, Offset #100-Std	1
22.	119340	Bag, Hardware (supplied by Weasler)	1
23.	--	Tire Wire	1
24.	--	Bolt, Hex-Drilled Head 1/2 x 1 1/4 in. UNC, Gr5, Plated	1
25.	--	Washer, Flat 1 1/2 OD x 33/64 ID x 1/4 in. Thick	1
26.	--	Key, 3/8" x 5/16 x 1 3/8 in. long	1
27.	118009	Bolt, Hex 1/2 x 1 1/4 in. UNC, Gr5, Plated	3
28.	118011	Bolt, Hex 1/2 x 1 1/2 in. UNC, Gr5, Plated	4
29.	118024	Bolt, Hex 5/8 x 1 1/2 in. UNC, Gr5, Plated	2
30.	118026	Bolt, Hex 5/8 x 2 in. UNC, Gr5, Plated	4
31.	118504	Washer, Lock 1/2 in. Plated	7
32.	118405	Nut, Hex, 1/2 in. UNC, Gr5, Plated	4
33.	118508	Washer, Lock 1/2 in. Plated	4
34.	118407	Nut, Hex 5/8 in. Plated	4
35.	118448	Nut, Lock 5/8 in. UNC, Gr5, Plated	2
36.	118112	Bolt, Hex 1/2 x 3 in. UNC, Gr5, Plated	2
37.	118420	Nut, Lock 1/2 in. UNC, Gr5, Plated	2

SLIDER SHAFT c/w QUICK DISCONNECT - WEASLER - 14NW



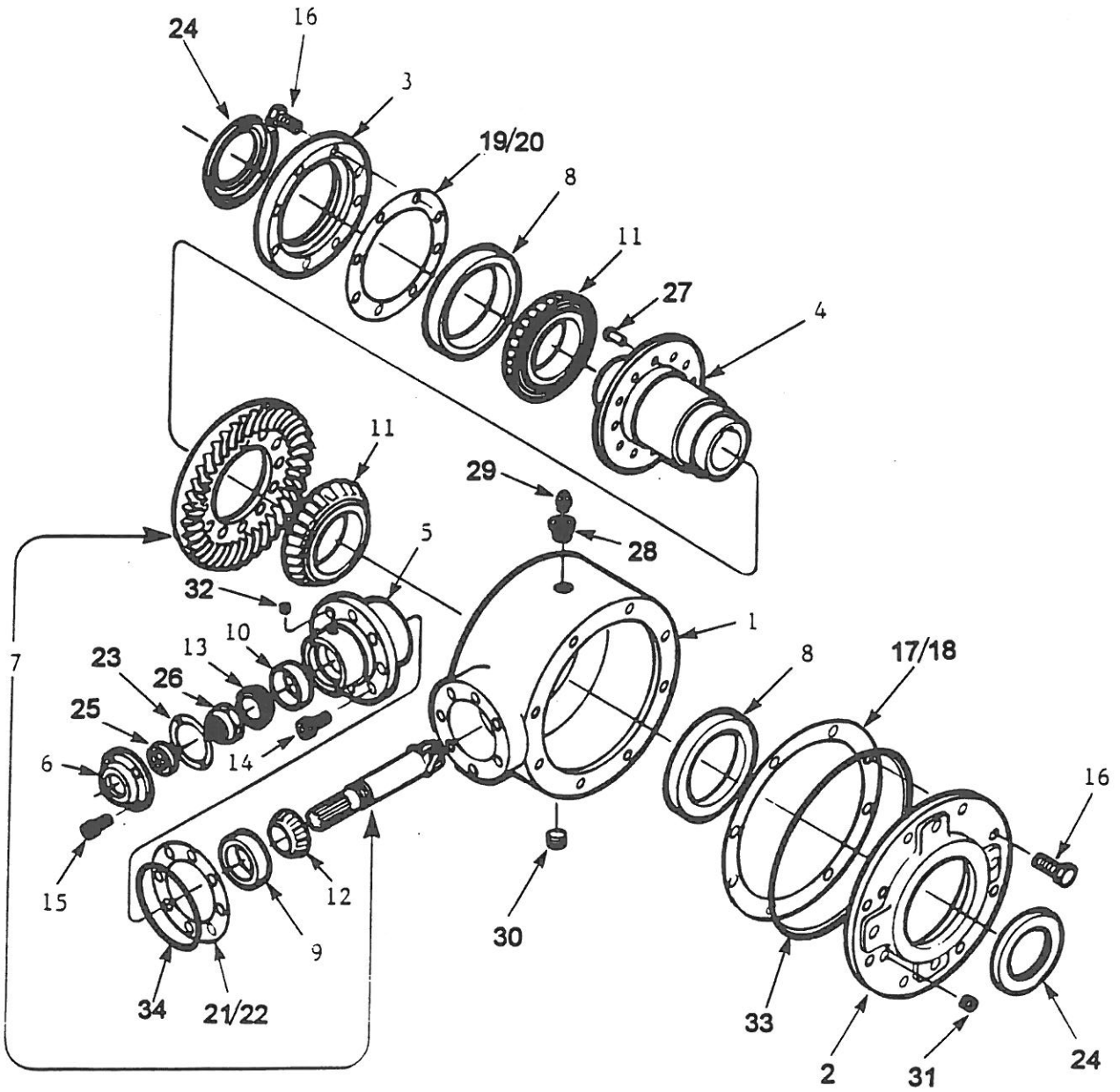
ITEM	PART No.	DESCRIPTION	QTY.
1	119251	Shaft, Slider 28.1 in. (overall) - Weasler - 14NW (6 Spline Q.D.)	1
2	119252	Shaft, Half - Bar 28 in. - Weasler - 14NW (6 Spline)	1
3	119253	Shaft, Half - Tube 28 in. - Weasler - 14NW	1
4	119254	Yoke/Bar 17.38 in. long - Weasler - 14NW	1
5	119255	Yoke/Bar 16.13 in. long - Weasler - 14NW	1
6	119257	Yoke 1 5/16 in. Bore - Weasler - 14NW	1
7	119258	Shield, Outer - PVC - 16 in. - Weasler (c/w #9 & #10)	1
8	119259	Shield, Inner - PVC - 16 in. - Weasler (c/w #9 & #10)	1
9	119260	Bearing, Shield Support - Weasler - 14NW/35NW	2
10	119261	Ring, Retainer - Weasler - 14NW/35NW	2
11	119262	Grease Fitting 1/8 NPT - 75°	2
12	118335	Grease Fitting 1/4-28 AMNF straight-thread	1
13	119118	Kit, Cross and Bearing - Hayes 1240	2
14	119256	Yoke 1 3/8 in. Q.D. - 6 Spline - Weasler - 14NW	1

DRIVE SHAFT c/w TORQUE LIMITER-WEASLER



ITEM	PART No.	DESCRIPTION	QTY.
1	119644	Shaft, Drive 84.25 in. - Weasler c/w Torque Limiter - 6 Spline Clamp	1
2	119647	Yoke/Shaft 78.3 in. long - Weasler - 35NW (not sold separate)	1
3	119648	Shield, Outer PVC 74.6 in. - Weasler - 35NW	1
4	119260	Bearing, Nylon - Weasler #04-10085	1
5	119261	Retainer, Bearing - Weasler #24-10018	1
6	119129	Kit, Cross & Bearing - Hayes #1340	1
7	119262	Grease Fitting 1/8 NPT-75°	1
8	119607	Torque Limiter Clutch Assembly - Weasler #26-11582	1
		Consists of Items #9 - 19 inclusive:	
9	119278	Yoke/Plate Assembly - Torque Limiter - Weasler #35051-1081	1
10	—	Bushing, Bronze (not sold separately)	1
11	119280	Disc, Friction - Torque Limiter - Weasler #11-10143	2
12	119608	Plate, Hub - 6 Spline Bolt Clamp - Weasler #26-10752	1
13	119282	Plate, Pressure - Torque Limiter - Weasler #10-10146	1
14	118139	Bolt, Hex 3/8 x 4 in. UNC, Gr5, Plated	6
15	119283	Spring, Compression - Torque Limiter - Weasler #23-10037	6
16	119284	Guide, Spring Washer - Torque Limiter - Weasler #11-10036	6
17	118417	Nut, Lock 3/8 in. UNC, Gr5, Plated	6
18	118112	Bolt, Hex 1/2 x 3 in. UNC, Gr5, Plated	2
19	118420	Nut, Lock 1/2 in. UNC, Gr5, Plated	2

GEAR BOX 4.11:1 - HUB CITY

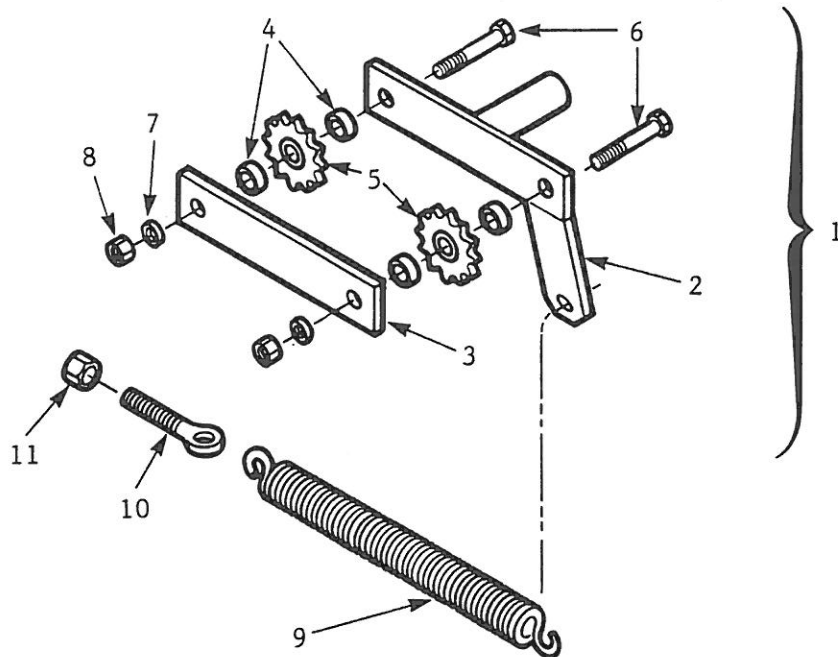


GEAR BOX 4.11:1 - HUB CITY

ITEM	PART NO.	DESCRIPTION	QTY.
-	119360	Gear Box 4.11:1 Hub City M920 - 1 3/8" Splined (#0221-10550-873)	1
1	119051	Housing, Gear Box (Hub City #0223-06697-910)	1
2	119052	Cap, Output Large (Hub City #0223-00698-910)	1
3	119053	Cap, Output Small (Hub City #0223-06699-910)	1
4	119054	Hub, Ring Gear 2 7/16" ID (Hub City #0223-00700-910)	1
5	119178	Cap, Input Hub City 1 3/8" Splined Input (#0225-09509-873)	1
6	119179	Carrier, Pinion Seal Hub City 1 3/8" Splined (# 0225-09510-873)	1
7	119361	Gear/Pinion Set 4.11:1 Hub City 1 3/8" Splined (#0225-13081-873)	1
8	119055	Cup, Bearing #42584 - 5.844" OD	2
9	119181	Cup, Bearing #HM801346	1
10	119182	Cup, Bearing (Hub City #8-32-20-58-180)	1
11	119056	Cone, Bearing #42375 - 3.750" ID	2
12	119183	Cone, Bearing #HM801310	1
13	119184	Cone, Bearing #2788A	1
14	--	Capscrew, Socket 3/8 x 1 1/4" UNC (#8-47-11-44-020)	7
15	119070	Setscrew #10 x 3/4" UNF - Allen	4
16	118129	Bolt, Hex 3/8 x 1 1/4" INC, Gr. 5, Plated	16
	119362	Kit, Repair #M920 - 1 3/8" Splined Input Hub City 4.11:1	1
Consists of:			
17	--	Shim - Red - .002 (#0223-04901-120)	2
18	--	Shim - Blue - .005 (#0223-04902-120)	2
19	--	Shim - Red - .002 (#0223-04992-920)	2
20	--	Shim - Blue - .005 (#0223-04993-920)	2
21	--	Shim - Red - .002 (#0223-04907-920)	2
22	--	Shim - Blue - .005 (#0223-04908-920)	2
23	--	Gasket, Special (#0225-05121-218)	1
24	119061	Seal, Dust CR#36361 - 3.625" ID	2
25	119185	Seal, Dust (Hub City #8-74-21-25-017)	1
26	--	Nut, Lock 1 1/2" - 16 Thread (Hub City #8-47-16-14-041)	1
27	--	Rivet 3/8 x 1 1/4" (Hub City #8-47-17-00-002)	12
28	119021	Reducer 1/8 NPT(F) x 1/2 NPT(M)	1
29	119020	Vent, Pressure Relief 1/8 NPT(M)	1
30	119016	Plug, Port 1/2 NPT(M) - Allen	1
31	119071	Plug, Port 1/4 NPT(M) - Allen	2
32	--	Plug, Port 1/8 NPT(M) - Allen	2
33	--	O-Ring (#8-74-80-09-070)	1
34	--	O-Ring (#8-74-80-09-075)	1

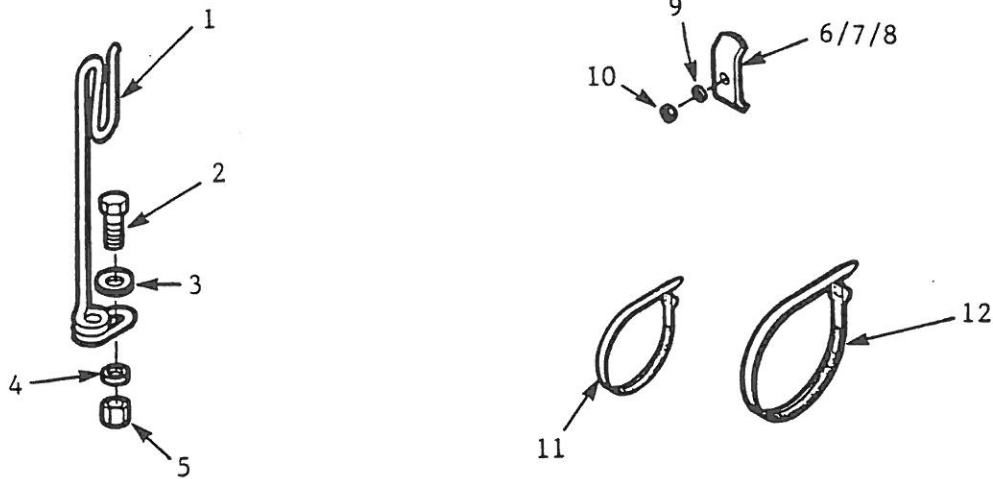
Note: Item #7 is a matched Gear and Pinion Set and cannot be purchased seperately.

CHAIN TIGHTENER and SPRING



ITEM	PART No.	DESCRIPTION	QTY.
1	240349	Chain Tightener Assembly RP/S3	1
2	240350	Arm, Chain Tightener - RP/S3	1
3	240353	Bar, Bolt - 2 Hole - 204mm hole centres	1
4	240355	Bushing 33.4 OD x 3.4 Wall x 18mm long	4
5	122006	Sprocket, Idler 100A11 c/w Bearing - Coated	2
6	118116	Bolt, Hex 1 x 4 1/2 in. UNC, Gr5, Plated	2
7	118510	Washer, Lock 1 in. Plated	2
8	118412	Nut, Hex 1 in. UNC, Gr5, Plated	2
9	143003	Spring, Tension - 49 Coil	1
10	118240	Bolt, Eye 5/8 x 5 1/4 in. UNC, Gr5, Plated	1
11	118448	Nut, Lock 5/8 in. UNC, Gr5, Plated	1

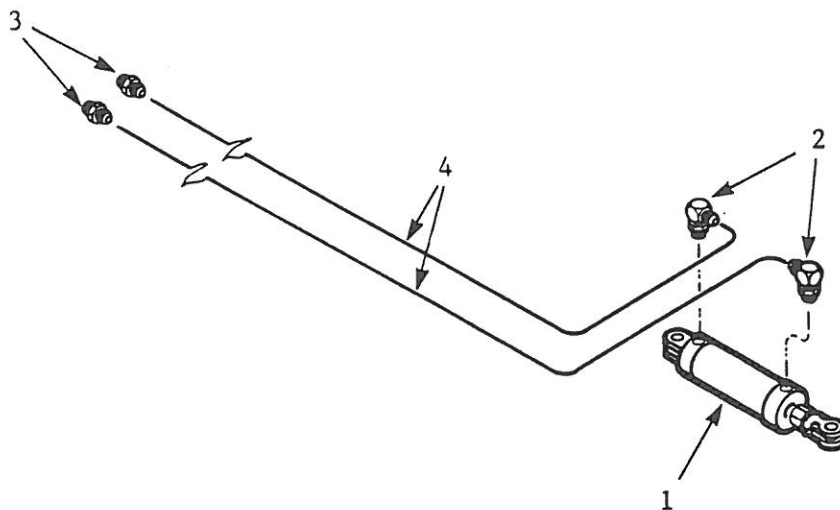
HYDRAULIC HOSE HOLDER, CLIPS and HOSE TIES



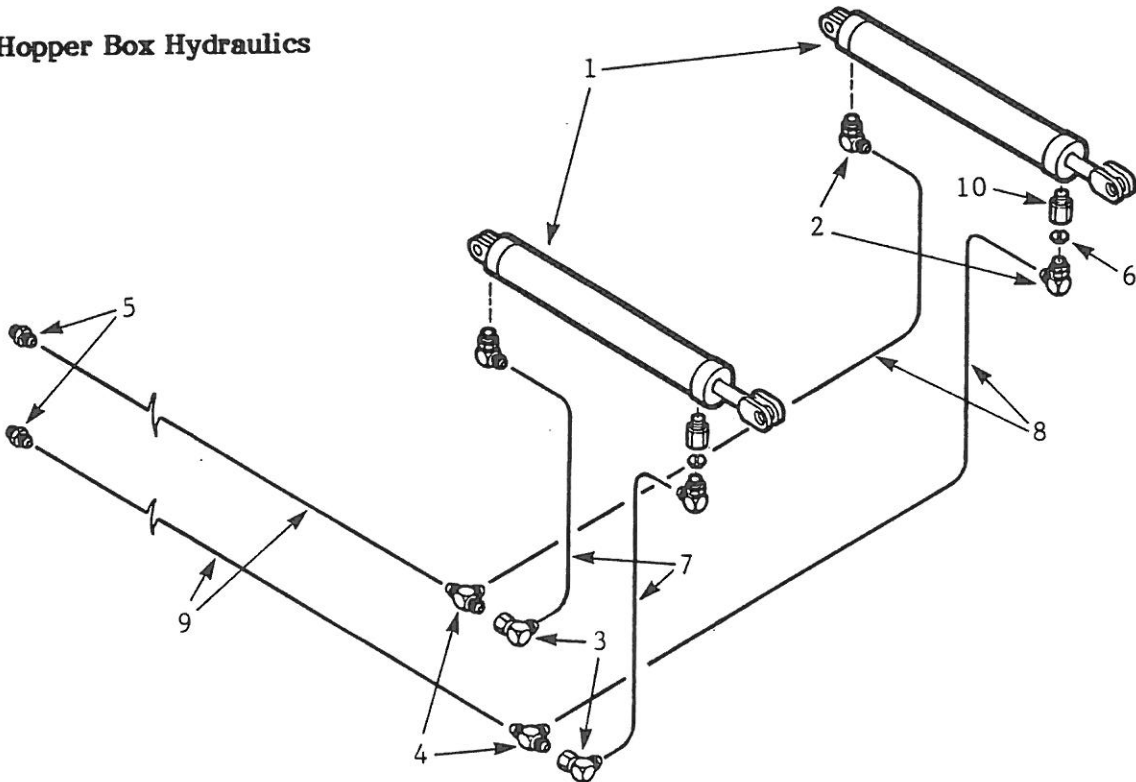
ITEM	PART No.	DESCRIPTION	QTY.
1	143111	Holder, Hose-Flexible	1
2	118026	Bolt, Hex 5/8 x 2 in. UNC, Gr5, Plated	1
3	118514	Washer, Flat 5/8 in. Plated	1
4	118508	Washer, Lock 5/8 in. Plated	1
5	118407	Nut, Hex 5/8 in. UNC, Gr5, Plated	1
6	650256	Hose Clip-2 Hose-Plated	a/r
7	660747	Hose Clip-4 Hose-Plated	a/r
8	240633	Hose Clip-6 Hose-Plated	a/r
9	118530	Washer, Lock 5/16 in. Plated	a/r
10	118427	Nut, Hex 5/16 in. UNC, Gr5, Plated	a/r
11	133008	Tie, Hose-Plastic-Black 3/32 x 9/64 x 11 in.	a/r
12	133007	Tie, Hose-Plastic-Releasable 1/16 x 1/2 x 22 in.	a/r

HYDRAULIC LAYOUT

Hitch Pole Hydraulics



Hopper Box Hydraulics



HYDRAULIC LAYOUT

ITEM	PART No.	DESCRIPTION	QTY.
1	121397	Cylinder, Hydraulic - 3 x 8 in. c/w Pins - DIL	1
2	141504	Elbow, 90° 3/4 JIC(M) x 3/4 ORB(M)	2
3	141514	Nipple 1/2 NPT(M) x 3/4 JIC(M)	2
4	126587	Hose 3/8 x 154 in. 2WB - 3/4 JIC(F-SW)	2

NOTE: Rebuilt Hydraulic Cylinders may be available

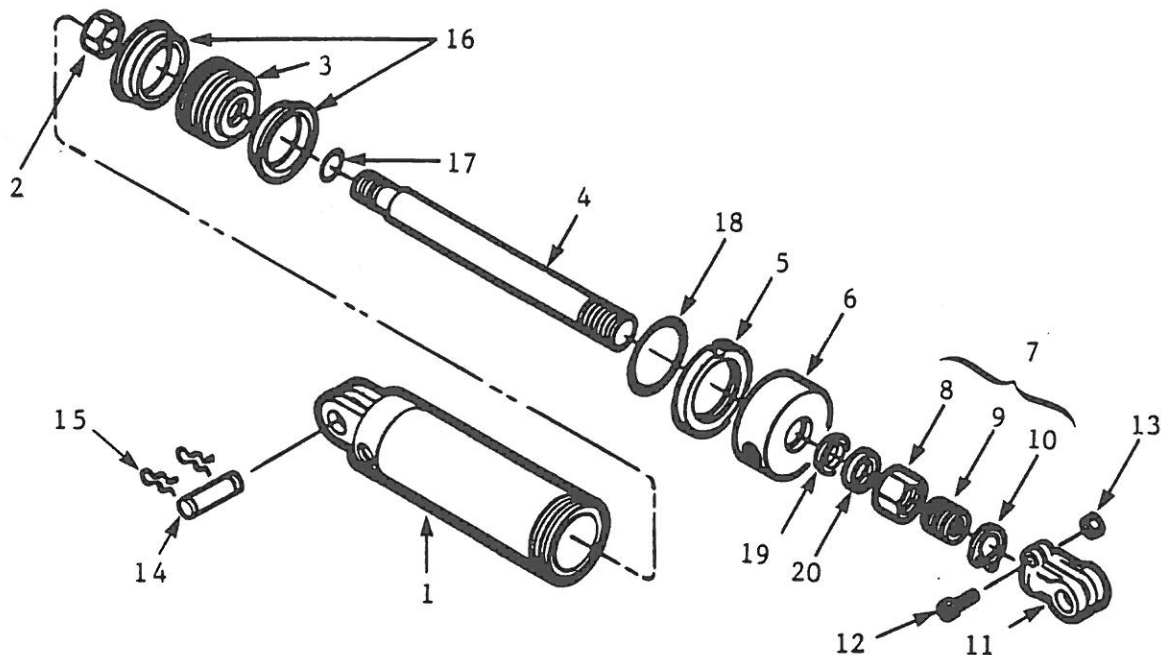
1	121783	Cylinder, Hydraulic - 3 x 8 in. c/w Pins - DIL " Rebuilt "	1
---	--------	---	---

ITEM	PART No.	DESCRIPTION	QTY.
1	121846	Cylinder, Hydraulic - 3 1/2 x 34 in. - DIL	2
2	141504	Elbow, 90° 3/4 JIC(M) x 3/4 ORB(M)	4
3	141518	Elbow, 90° 3/4 JIC(M) x 3/4 JIC(F-SW)	2
4	141501	Tee 3/4 JIC(M) x (M) x (M)	2
5	141514	Nipple 1/2 NPT(M) x 3/4 JIC(M)	2
6	141506	Orifice Plate - .0700 in. ID - Hexagon	2
7	126577	Hose 3/8 x 70 in. 2WB - 3/4 JIC(F-SW)	2
8	126587	Hose 3/8 x 154 in. 2WB - 3/4 JIC(F-SW)	2
9	126574	Hose 3/8 x 174 in. 2WB - 3/4 JIC(F-SW)	2
10	141600	Adapter, Orifice 3/4 ORB - Plated - c/w O-Ring	2

NOTE: Rebuilt Hydraulic Cylinders may be available

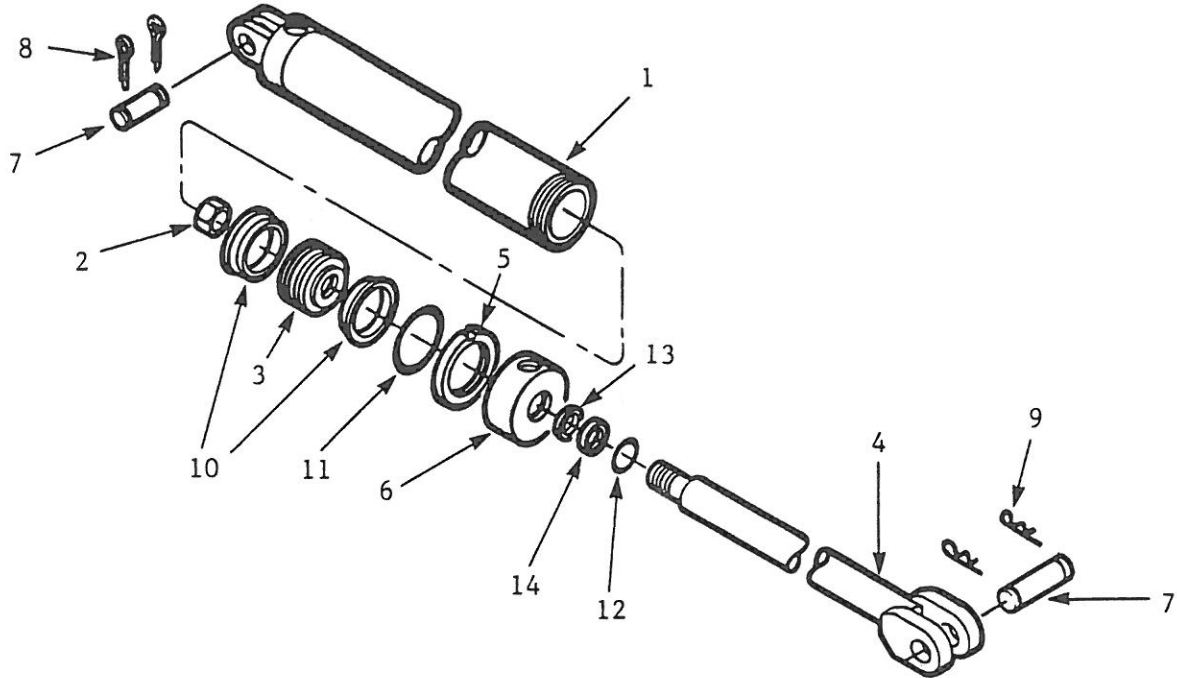
1	121853	Cylinder, Hydraulic - 3 1/2 x 34 in. c/w Pins - DIL " Rebuilt "	2
---	--------	--	---

HYDRAULIC CYLINDER 3 x 8 in. STROKE - DIL



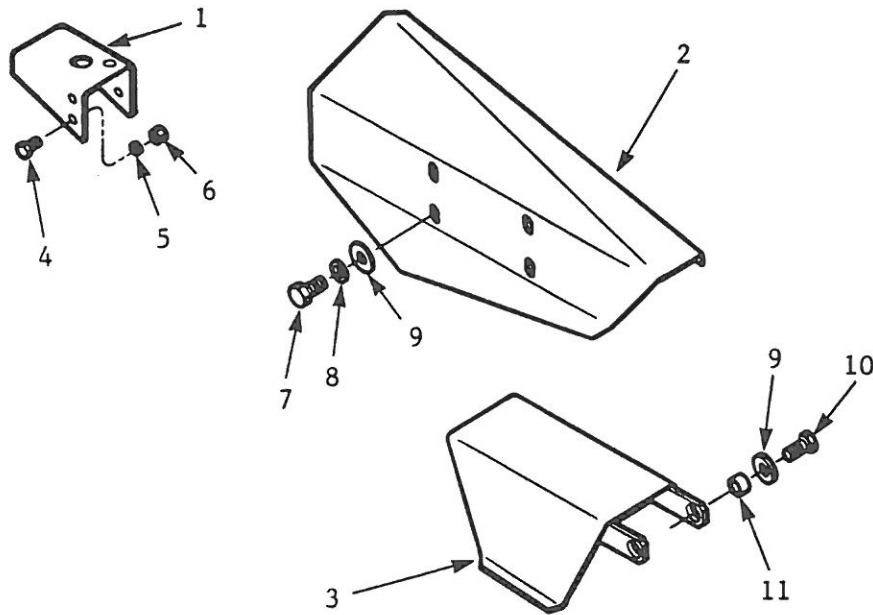
ITEM	PART No.	DESCRIPTION	QTY.
-	121397	Cylinder, Hydraulic - 3 x 8 in. - DIL	a/r
1	121628	Barrel Assembly - 3 x 8 in. - DIL	1
2	118441	Nut, Lock 7/8 in. UNF, Gr5, Plated, Uni-torque	1
3	121606	Piston - 3 in. Cylinder (U-Cup Type) - DIL	1
4	121618	Rod, Cylinder - 3 x 8 in. - DIL	1
5	121746	Ring, Lock - 3 in. Cylinder - DIL	1
6	121630	Cap, Open - 3 in. Cylinder 1 1/4 in. Rod - DIL	1
7	121642	Depth Control Assembly - DIL Cylinder - Plated	1
8	---	Nut, Depth Control - DIL	1
9	---	Sleeve, Depth Control - DIL	1
10	---	Snap Ring	1
11	121631	Clevis, Rod 1 1/4-12 UNF - DIL	1
12	118311	Capscrew 3/8 x 1 3/4 in. - Allen	1
13	118403	Nut, Hex 3/8 in. UNC, Gr5, Plated	1
14	121941	Pin 25.4 x 73mm long (effective) Plated-N/D	2
15	118882	Pin, Hair 3/16 x 2 3/4 in. Plated-N/D	4
16	---	Seal, U-Cup	2
17	---	Seal, O-Ring	1
18	---	Seal, O-Ring	1
19	---	Seal, U-Cup	1
20	---	Seal, Rod Wiper	1
-	121719	Kit, Seal - 3 in. Cylinder 1 1/4 in. Rod - DIL	1
NOTE: Rebuilt Units may be available			
-	121783	Cylinder, Hydraulic - 3 x 8 in. c/w Pins - DIL "Rebuilt"	a/r

HYDRAULIC CYLINDER 3 1/2 x 34 in. STROKE - DIL



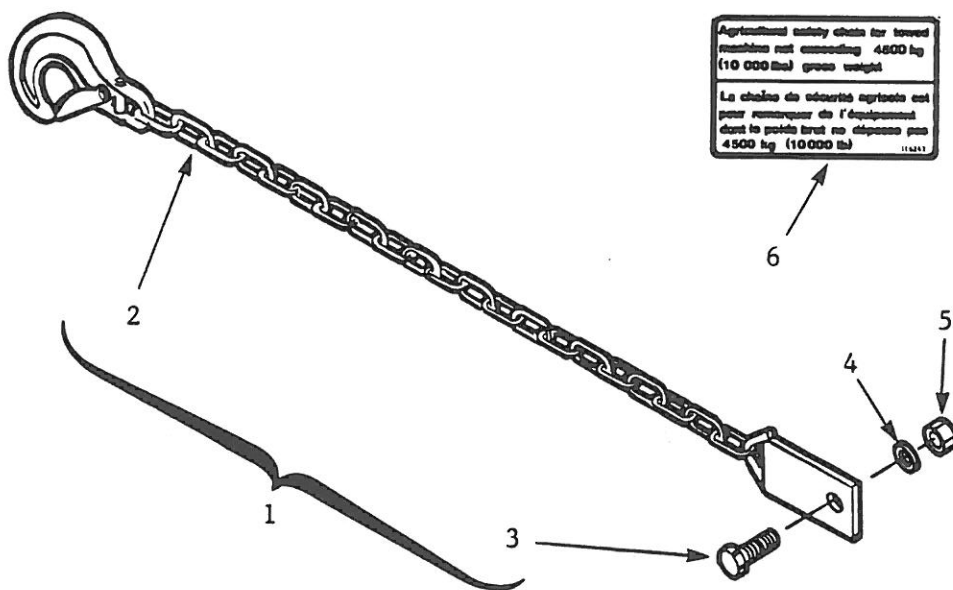
ITEM	PART No.	DESCRIPTION	QTY.
-	121846	Cylinder, Hydraulic - 3 1/2 x 34 in. - DIL	a/r
1	121849	Barrel Assembly - 3 1/2 x 34 in. Cylinder - DIL	1
2	118441	Nut, Lock 7/8 in. UNF, Gr5, Plated - Uni-torque	1
3	121684	Piston - 3 1/2 in. Cylinder - DIL	1
4	121851	Rod Assembly 3 1/2 x 34 in. Cylinder - DIL	1
5	121748	Ring, Lock - 3 1/2 in. Cylinder - DIL	1
6	121845	Cap, Open - 3 1/2 in. Cylinder 2 in. Rod - DIL	1
7	121823	Pin 31.8 x 85mm long (effective) - Plated	2
8	118836	Pin, Cotter 3/16 x 2 in.	2
9	118830	Pin, Hair 4.5 x 83mm - Plated	2
10	---	Seal, U-Cup	2
11	---	Seal, O-Ring	1
12	---	Seal, O-Ring	1
13	---	Seal, U-Cup	1
14	---	Seal, Rod Wiper	1
-	121852	Kit, Seal - 3 1/2 in. Cylinder 2 in. Rod - DIL	1
NOTE: Rebuilt Units may be available			
-	121853	Cylinder, Hydraulic - 3 1/2 x 34 in. - DIL "Rebuilt"	a/r

SAFETY SHIELDS



ITEM	PART No.	DESCRIPTION	QTY.
1	{ 240530	Shield, Drive Line Bracket (c/w 540 PTO Decal) }	1
	{ 240531	Shield, Drive Line Bracket (c/w 1000 PTO Decal) }	
2	240384	Shield, Chain - RP/S3 & RP/S5	1
3	240610	Shield, Torque Limiter - 920 Gear Box - RP/S4	1
4	118110	Bolt, Hex 5/16 x 1 in. UNC, Gr5, Plated	a/r
5	118530	Washer, Lock 5/16 in. Plated	a/r
6	118427	Nut, Hex 5/16 in. UNC, Gr5, Plated	a/r
7	118008	Bolt, Hex 1/2 x 1 in. UNC, Gr5, Plated	a/r
8	118504	Washer, Lock 1/2 in. Plated	a/r
9	118512	Washer, Flat 1/2 in. Plated	a/r
10	118009	Bolt, Hex 1/2 x 1 1/4 in. UNC, Gr5, Plated	2
11	240402	Bushing 18 OD x 1.1 Wall x 12mm long - Galvanized	2

SAFETY CHAIN



ITEM	PART No.	DESCRIPTION	QTY.
1	116245	Carton - Safety Chain - 4500 Kg consists of:	1
2	116244	Chain, Safety - Assembly - 4500 Kg c/w Items #3, 4, 5, & 6	1
3	118043	Bolt, Hex 3/4 x 2 in. UNC, Gr5, Plated	1
4	118509	Washer, Lock 3/4 in. Plated	1
5	118410	Nut, Hex 3/4 in. UNC, Gr5, Plated	1
6	116243	Decal, Identification "Ag Safety Chain"	1

DECALS

1 **DANGER**
 ROTATING DRIVELINE CONTACT CAN CAUSE DEATH
 KEEP AWAY!
 DO NOT OPERATE WITHOUT -
 • All drivelines, waders and equipment attached in place.
 • Drivelines correctly attached at both ends.
 • Driveline shafts that turn freely on drivelines.

2 **DANGER**
 LIGNE DE TRANSMISSION ROTATIVE LE CONTACT PEUT ENTRAINER LA MORT NE PAS S'EN APPROCHER
 NE PAS FAIRE FONCTIONNER SI -
 • TOUS LES PROTECTEURS DE LIGNE DE TRANSMISSION DE TRACTEURS ET D'ADAPTEURS DE SOUS PAS EN PLACE.
 • LES LIGNES DE TRANSMISSION NE DOIT PAS SOULEVEMENT PRESSER AVEC SOUS EXTREMES.
 • LES PROTECTEURS DE LIGNE DE TRANSMISSION NE TOUCHENT PAS LOUVRANT SUR LA LIGNE DE TRANSMISSION.

3 **DANGER**
 SERVICIAL PLANT
 PEUT CAUSER DES BLESSURES GRAVES ET MÊME LA MORT
 NE PAS S'EN APPROCHER
 • Tenir les personnes à l'écart.

4 **DANGER**
 TRUCK/RUCK HAZARD
 Can cause serious injury or death
 Stay away from machine when working
 • KEEP OTHERS AWAY

5 **DANGER**
 ROTATING DRIVELINE
 Can cause serious injury or death
 Stay away from drivelines when working
 • OPERATORS ONLY RPM

6 **DANGER**
 ROTATING DRIVELINE
 Can cause serious injury or death
 Stay away from drivelines when working
 • OPERATORS ONLY RPM

7 **DANGER**
 ROTATING DRIVELINE
 Can cause serious injury or death
 Stay away from drivelines when working
 • OPERATORS ONLY RPM

8 **DANGER**
 ROTATING DRIVELINE
 Can cause serious injury or death
 Stay away from drivelines when working
 • OPERATORS ONLY RPM

9 **DANGER**
 ROTATING DRIVELINE
 Can cause serious injury or death
 Stay away from drivelines when working
 • OPERATORS ONLY RPM

10 **DANGER**
 ROTATING DRIVELINE
 Can cause serious injury or death
 Stay away from drivelines when working
 • OPERATORS ONLY RPM

6 **AVERTISSEMENT**
WARNING
 ECRAN PROTECTEUR MANQUANT
 Peut causer des blessures graves et même la mort
 Ne pas s'en approcher

7 **AVERTISSEMENT**
WARNING
 LIGNE DE TRANSMISSION ROTATIVE
 LE CONTACT PEUT ENTRAINER LA MORT
 NE PAS S'EN APPROCHER

8 **AVERTISSEMENT**
WARNING
 SERVICIAL PLANT
 PEUT CAUSER DES BLESSURES GRAVES ET MÊME LA MORT
 NE PAS S'EN APPROCHER

9 **AVERTISSEMENT**
WARNING
 TRUCK/RUCK HAZARD
 Can cause serious injury or death
 Stay away from machine when working
 • KEEP OTHERS AWAY

10 **ATTENTION** **CAUTION**

11 **IMPORTANT**
 GRILLE PREPARATION
 Remove red transport pins before operating.
 PRÉPARATION DE LA GRILLE
 Retirer les goupilles de transport (rouges) avant la mise en marche de la machine.

12 **IMPORTANT**
 Overtightening torque limiter will cause serious damage to gearbox.
 Un serrage excessif du régulateur de torsion endommagera la boîte d'engrenages.

13 **IMPORTANT**
 HITCH POLE PREPARATION
 Fully extend both threaded sections of hydraulic cylinder nut before operating machine in field.
 PRÉPARATION DE LA PÔLE
 Ouvrir à fond les deux sections filettées du cylindre hydraulique en utilisant l'écran avant de se servir de la machine sur le terrain.

14 [Image of a rectangular decal]

15 [Image of a rectangular decal]

16 **Degeleman**

17 **Degeleman**

18 **Super Picker**

19 **Super Picker**

20 **7800**

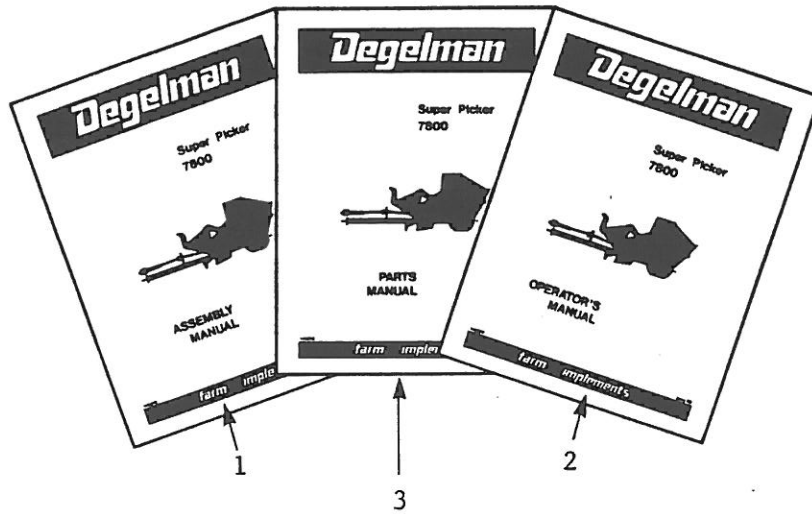
21 [Image of a triangular decal with '20 B' inside]

22 [Image of a triangular decal with a textured border]

DECALS

ITEM	PART No.	DESCRIPTION	QTY.
1	383333	Decal - Danger - Rotating Drive Line - Waltersheid	2
2	279561	Decal - Danger "Linge de..." - Waltersheid	2
3	142364	Decal - Danger - Thrown Rock	2
4	142372	Decal - Danger - Rotating Drive Line - 540 PTO	1
5	142373	Decal - Danger - Rotating Drive Line - 1000 PTO	1
6	142357	Decal - Warning - Missing Shield	1
7	142358	Decal - Warning - Rotating Part - U-Joint	1
8	142359	Decal - Warning - Rotating Part - Chain	1
9	142360	Decal - Warning - Jammed Paddle	2
10	142356	Decal - Caution - 1-10 Points of Safety	1
11	142365	Decal - Important - Grille Preparation	1
12	142367	Decal - Important - Overtightening Torque Limiter	1
13	142371	Decal - Important - Hitch Pole Preparation	1
14	142280	Reflector Tape - 50 x 160mm - Red	2
15	142279	Reflector Tape - 43 x 82mm - Amber	1
16	142009	Decal - Degelman - 3 3/4 x 16 1/4 in. long	2
17	142008	Decal - Degelman - 6 x 25 3/4 in. long	2
18	142248	Decal - Super - 148 x 416mm long	2
19	142250	Decal - Picker - 125 x 455mm long	2
20	142343	Decal - 7800 - 85 x 1055mm long	2
21	142322	Decal - Grease - 20 Hours (Previous Models Only)	2
22	142156	Decal - Slow Moving Vehicle	1

PUBLICATIONS



ITEM	PART No.	DESCRIPTION	QTY.
1	142376	Manual - RP/S5-7800 - Assembly	1
2	142377	Manual - RP/S5-7800 - Operators	1
3	142378	Manual - RP/S5-7800 - Parts	1

Degelman

WE PROVIDE

- **complete operating instructions.**
- **complete repair parts lists.**
- **written warranty protection.**
- **ten year parts availability.**

—— Quality in Equipment ——

BEST IN THE FIELD WHERE IT COUNTS . . .

DEGELMAN INDUSTRIES LTD.

272 INDUSTRIAL DRIVE

REGINA, SASK.,

CANADA S4P 3B1

PHONE (306) 543-4447

FAX (306) 543-2140