

DeGelman

"BEST IN THE FIELD - - - WHERE IT COUNTS"

ROCK RAKE RR 1400



PARTS MANUAL

NO 142227

farm implements
DEGELMAN INDUSTRIES LTD P O BOX 830 REGINA, SASK, CANADA

GENERAL INFORMATION

When ordering replacement parts:

-Give machine serial number

-Identify each part by part number and description.



BECAUSE WE ARE CONSTANTLY STRIVING TO IMPROVE OUR PRODUCTS, WE RESERVE THE RIGHT TO INCORPORATE ANY CHANGES RELATED TO DESIGN, MATERIALS AND SPECIFICATIONS AT ANY TIME, WITHOUT NOTICE OR OBLIGATION.

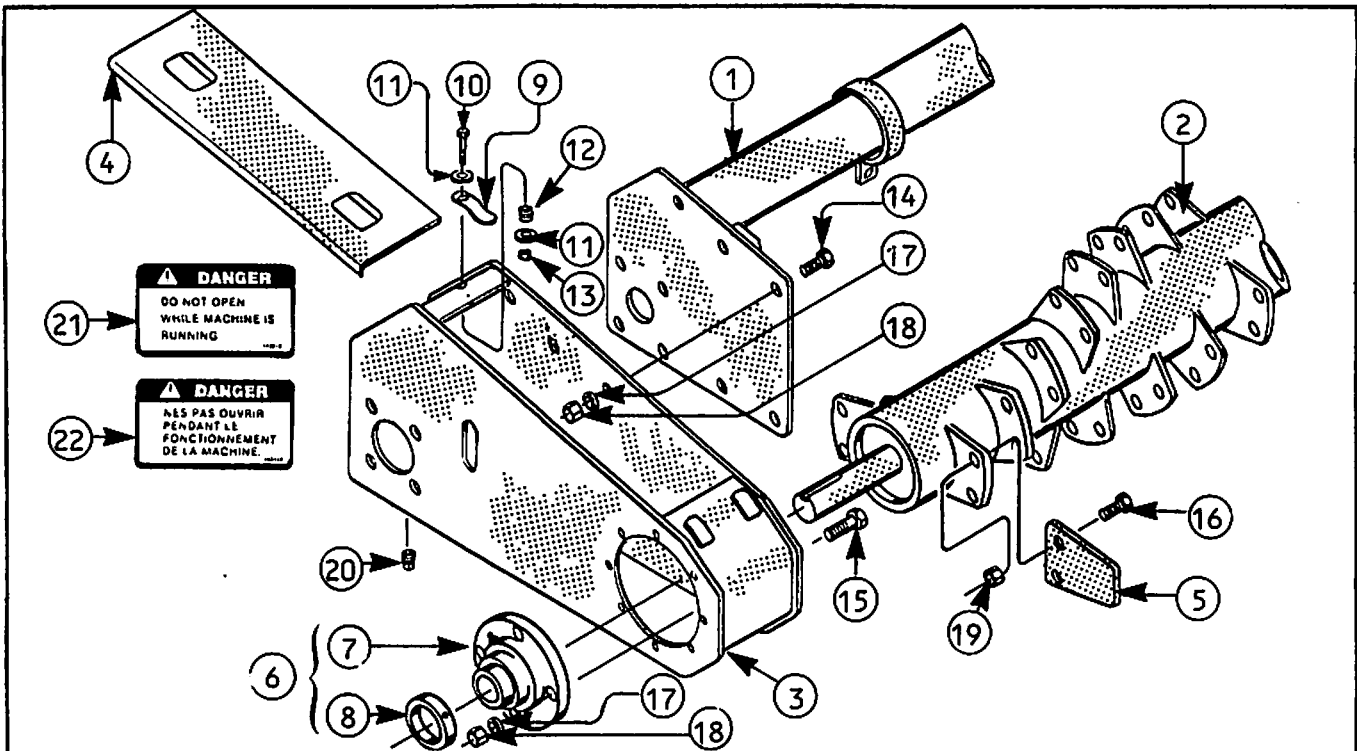
COPYRIGHT © 1983 DEGELMAN INDUSTRIES LTD.

PRINTED IN CANADA

CONTENTS

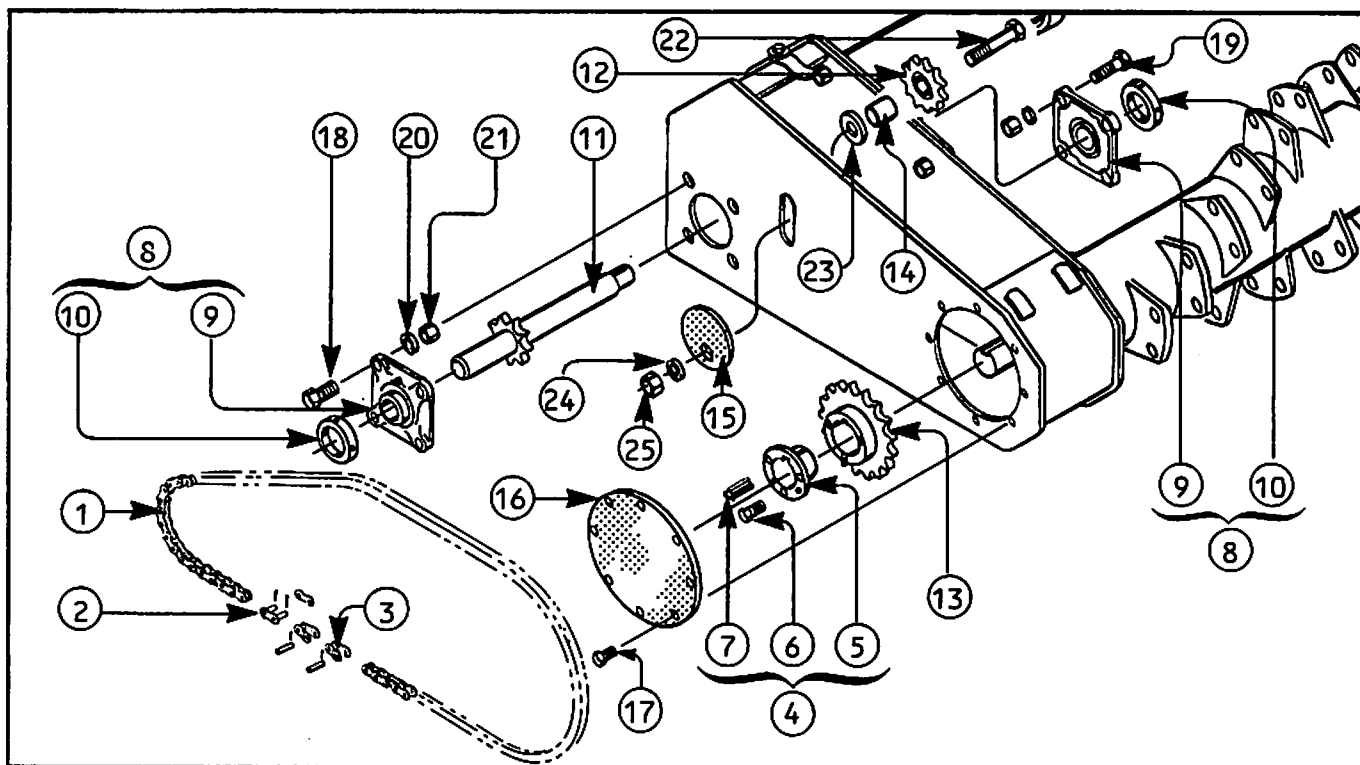
	Page
* Contents	1
* Rockshaft, Spiral Drum and Chain Housing	2
* Chain Housing Components	3
* Rockshaft, Spiral Drum and End Plate	4
* Main Frame and Hitch Pole	5
* Wheel Legs and Tires	6
* Rockshaft Mounting Components	7
* Drive Line Components	8
* Drive Line Coupler Shield and Rockflap	9
* Drive Shaft Shields	10
* Rock Guard and Slow Moving Vehicle Sign	11
* Drum Shield	12
* Mechanical Pole Unit	13
* Optional Hydraulic Cylinder Unit	14
* Slider Shaft - 28-1/16 in. (Weasler)	15
* Drive Shaft c/w Torque Limiter (Weasler)	16
* Slider Shaft c/w Coupler (Weasler)	17
* Gear Box 2:1 (Curtis)	18
* Wheel, Hub and Spindle	19
* 3 x 8 Hydraulic Cylinder - D.I.L.	20
* 2-1/2 x 16 Hydraulic Cylinder - D.I.L.	21
* 2-1/2 x 16 Hydraulic Cylinder - Cross	22
* Bearings 1-3/8 in. / 2 in. / 2-7/16 in.	23
* Bearing - Spherical - 2-7/16 in.	24
* Publications	25

ROCKSHAFT, SPIRAL DRUM and CHAIN HOUSING



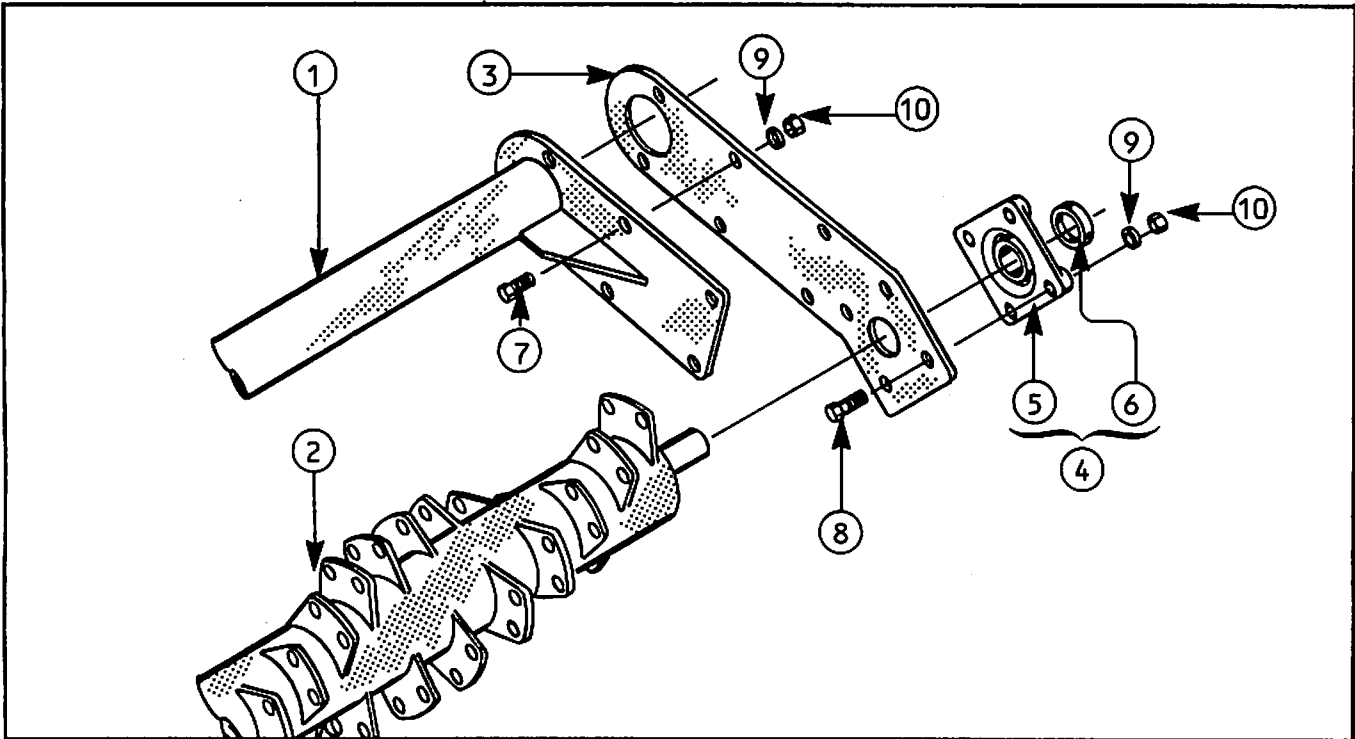
ITEM	PART No.	DESCRIPTION	PCS.
1	305100	Rockshaft	1
2	308000	Drum, Spiral	1
3	305120	Chain Housing	1
4	305115	Lid, Chain Housing	1
5	305167	Tooth 1/2 in. thick	83
6	117095	Bearing, Unit - Spherical - 2-7/16 in. - 4 Hole - SKF	1
7	_____	Bearing / Housing (not sold separately)	1
8	117097	Collar, Lock - Set Screw Type - 2-7/16 in.	1
9	304090	Clip, Lid - Chain Housing	1
10	118086	Bolt, Hex 3/8 x 2-1/2 UNC, GR 5, Plated	1
11	118511	Washer, Flat 3/8 Plated	2
12	143006	Spring, Compression - 1 in O.D.	1
13	118417	Nut, Hex - Lock 3/8 UNC, GR 5, Plated	1
14	118026	Bolt, Hex 5/8 x 2 UNC, GR 5, Plated	5
15	118028	Bolt, Hex 5/8 x 2-1/2 UNC, GR 5, Plated	4
16	118141	Bolt, Hex 5/8 x 1-3/4 UNC, GR 8, Plated - Special Shank	166
17	118508	Washer, Lock 5/8 Plated	9
18	118407	Nut, Hex 5/8 UNC, GR 5, Plated	9
19	118447	Nut, Lock 5/8 UNC, GR C, Plated, - Uni-Torque	166
20	125005	Plug, Port 1/2 NPT (M) - Steel	1
21	142012	Decal, Danger - "Do Not Open...."	1
22	142117	Decal, Danger - "Ne Pas Ouvrir..."	1
Not Shown	133013	Sealer, Silicon - 3 Ounce Tube	1
Not Shown	128011	Weather, Strip 5/16 x 3/4 x 72 in. long (under Lid)	1

CHAIN HOUSING COMPONENTS



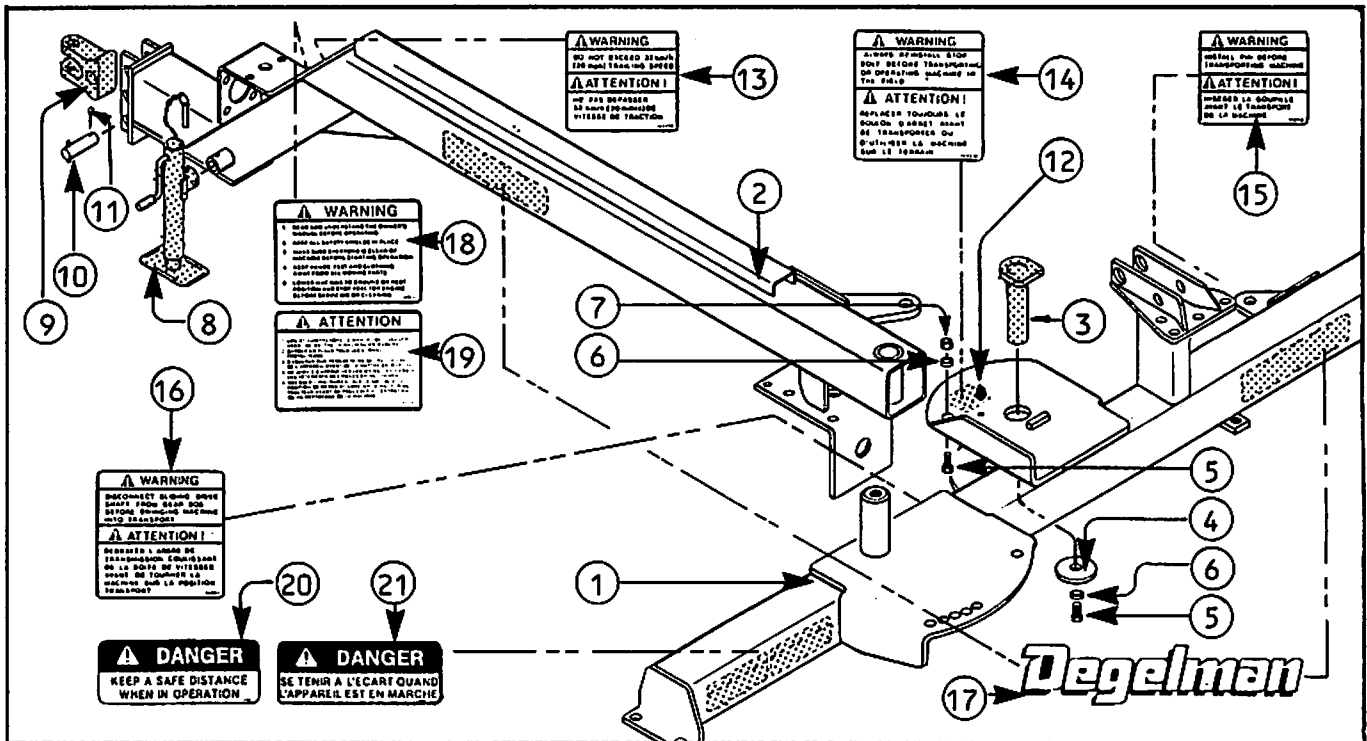
ITEM	PART No.	DESCRIPTION	PCS.
1	120017	Chain, Roller #100 - 52 Link	1
2	120005	Connector Link #100 - Kit	1
3	120006	Offset Link #100 - Kit	2
4	122021	Bushing, 2 7/16 Split Taper Kit	1
5	-----	Bushing (not sold separately)	1
6	118085	Bolt, Hex 3/8 x 1 1/4 UNC, Gr 5,	3
7	122020	Key, Tapered Split Bushing - Stepped	1
8	117004	Bearing, Unit - 4 Hole, 2 in. I.D. (Eccentric Lock)	2
9	-----	Bearing/Housing (not sold separately)	1
10	117031	Collar, Lock - 2 in. Bearing (Eccentric Lock)	2
11	305175	Shaft, Input - Assembly - 9 Tooth Sprocket	1
12	122006	Sprocket, Idler 100A 11 Tooth c/w Bearing	1
13	122018	Sprocket, 100 Q 17 Tooth - Tapered Bore	1
14	305155	Bushing, 1 5/16 OD x 1/8 Wall x 1-3/4 in. Long	1
15	304050	Cover, Idler Sprocket	1
16	305130	Plate, Cover - Chain Housing	1
17	118302	Cap Screw - Self Tapping 3/8 x 1, UNC, Gr 5, Plated	8
18	118026	Bolt, Hex 5/8 x 2 UNC, Gr 5, Plated	4
19	118028	Bolt, Hex 5/8 x 2 1/2 UNC, Gr 5, Plated	4
20	118508	Washer, Lock 5/8, Plated	8
21	118407	Nut, Hex 5/8 UNC, Gr 5, Plated	8
22	118076	Bolt, Hex 1 x 5 UNC, Gr 5, Plated	1
23	118501	Washer, Flat 1 1/16 ID x 2 1/2 OD x 3/8 in. Thick	1
24	118510	Washer, Lock 1 in. Plated	1
25	118412	Nut, Hex 1 in., UNC, Gr 5, Plated	1

ROCKSHAFT, SPIRAL DRUM and END PLATE



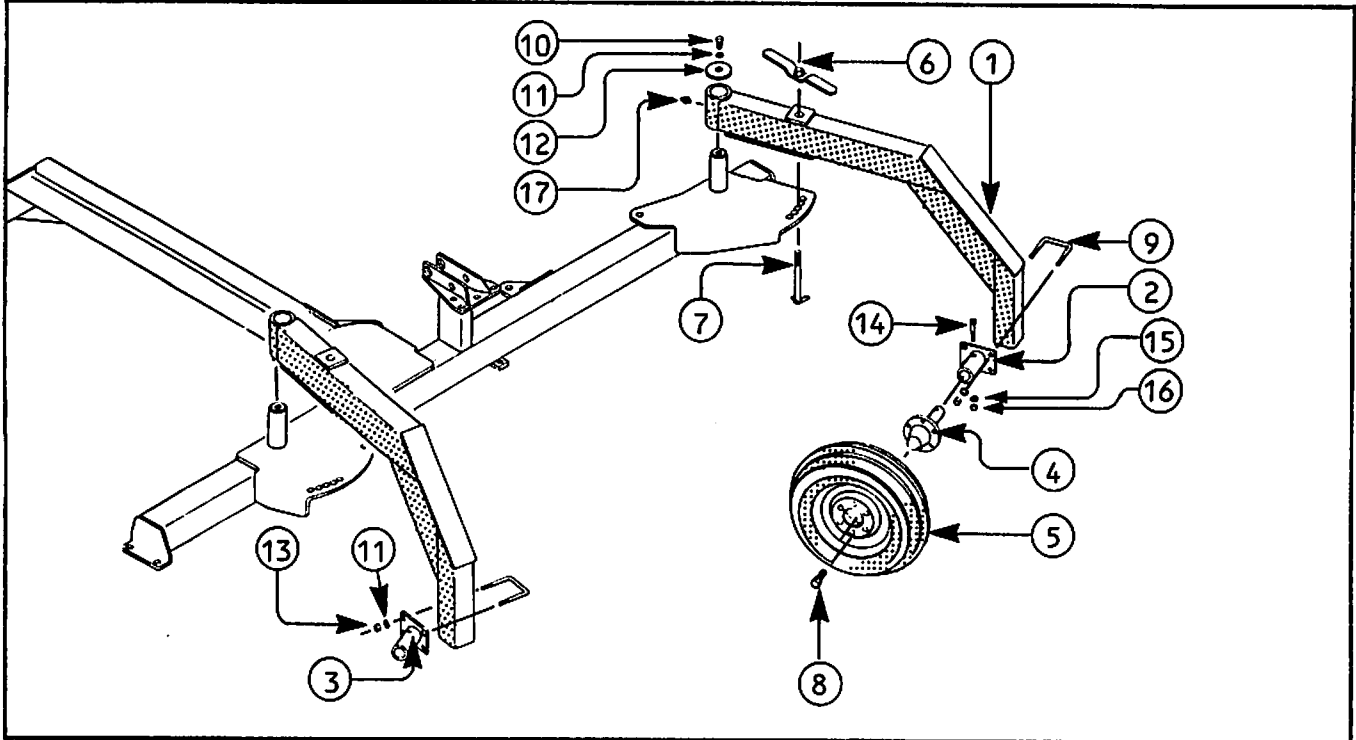
ITEM	PART No.	DESCRIPTION	PCS.
1	305100	Rock Shaft	1
2	308000	Drum, Spiral	1
3	305110	Plate, End - Rockshaft	1
4	117006	Bearing, Unit - 4 Hole, 2 7/16 in. ID (Eccentric Lock)	1
5	-----	Bearing/Housing (not sold separately)	1
6	117022	Collar, Lock 2 7/16 in. Bearing (Eccentric Lock)	1
7	118026	Bolt, Hex 5/8 x 2 UNC, Gr 5, Plated	6
8	118028	Bolt, Hex 5/8 x 2 1/2 UNC, Gr 5, Plated	4
9	118508	Washer, Lock 5/8 Plated	10
10	118407	Nut, Hex 5/8 UNC, Gr 5, Plated	10

MAIN FRAME and HITCH POLE



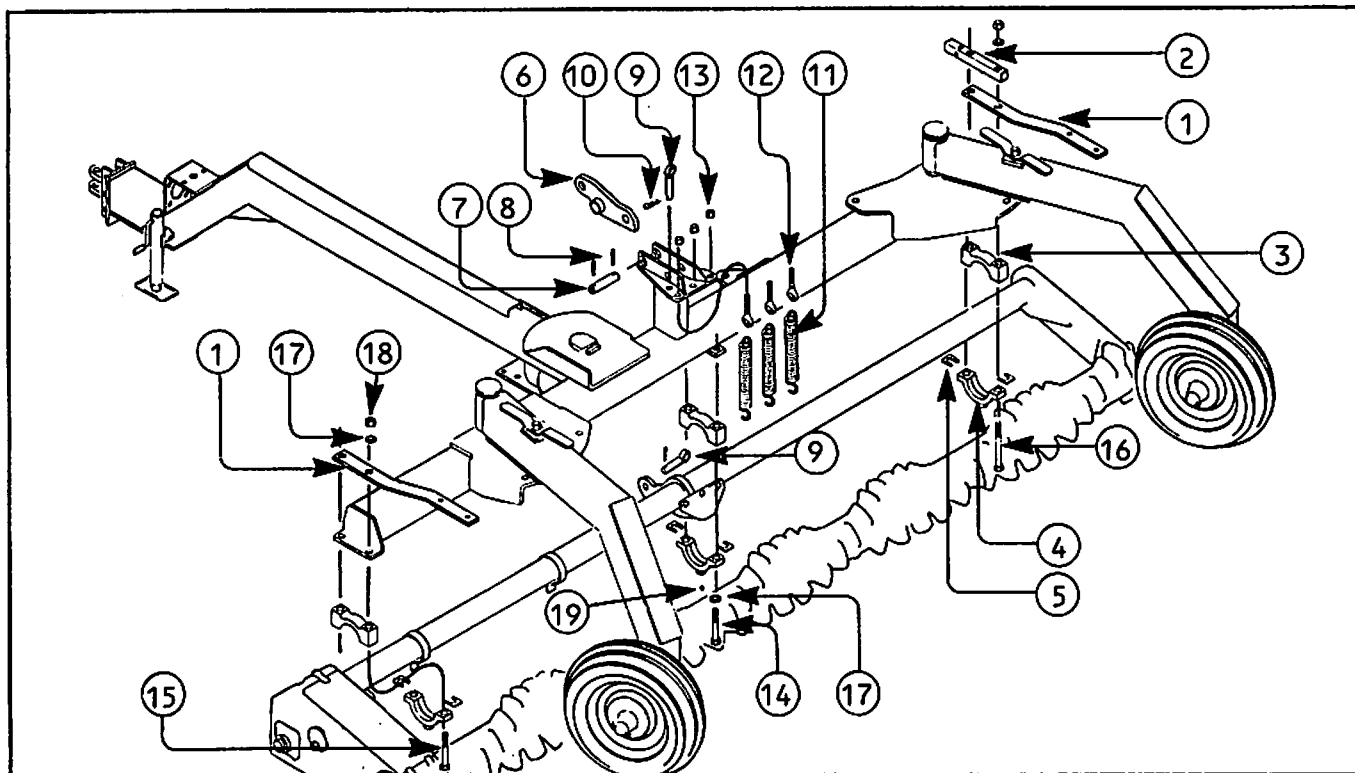
ITEM	PART No.	DESCRIPTION	PCS.
1	305071	Frame, Main	1
2	305051	Pole, Hitch	1
3	305152	Pin Assembly - 2 1/16 x 7 5/16 in. Long (Eff.)	1
4	229030	Washer, Flat 21/32 x 4 in. O.D. x 3/8 Thick	1
5	118024	Bolt, Hex 5/8 x 1 1/2 UNC, Gr 5, Plated	2
6	118508	Washer, Lock 5/8 Plated	2
7	118407	Nut, Hex 5/8 UNC, Gr 5, Plated	1
8	132005	Jack, Side Wind SWS-150	1
9	110002	Casting, Hitch Clevis	1
10	118804	Pin Assembly 1 x 4 3/8 in. Long (Eff.)	1
11	118838	Pin, Cotter 1/4 x 1 1/2 in.	1
12	118335	Grease Fitting, 1/4 - 28 AMNF Tapered	1
13	142220	Decal, Warning "Do Not Exceed...."	1
14	142218	Decal, Warning "Always Reinstall Stop..."	1
15	142216	Decal, Warning "Install Pin..."	1
16	142217	Decal, Warning "Disconnect..."	1
17	142009	Decal, Degelman 4 x 16 1/2 in.	3
18	142014	Decal, Warning "Read and..."	1
19	142116	Decal, Warning "Lire Et Comp..."	1
20	142109	Decal, Danger "Keep Distance..."	1
21	142112	Decal, Danger "Se Tenir..."	1

WHEEL LEGS and TIRES



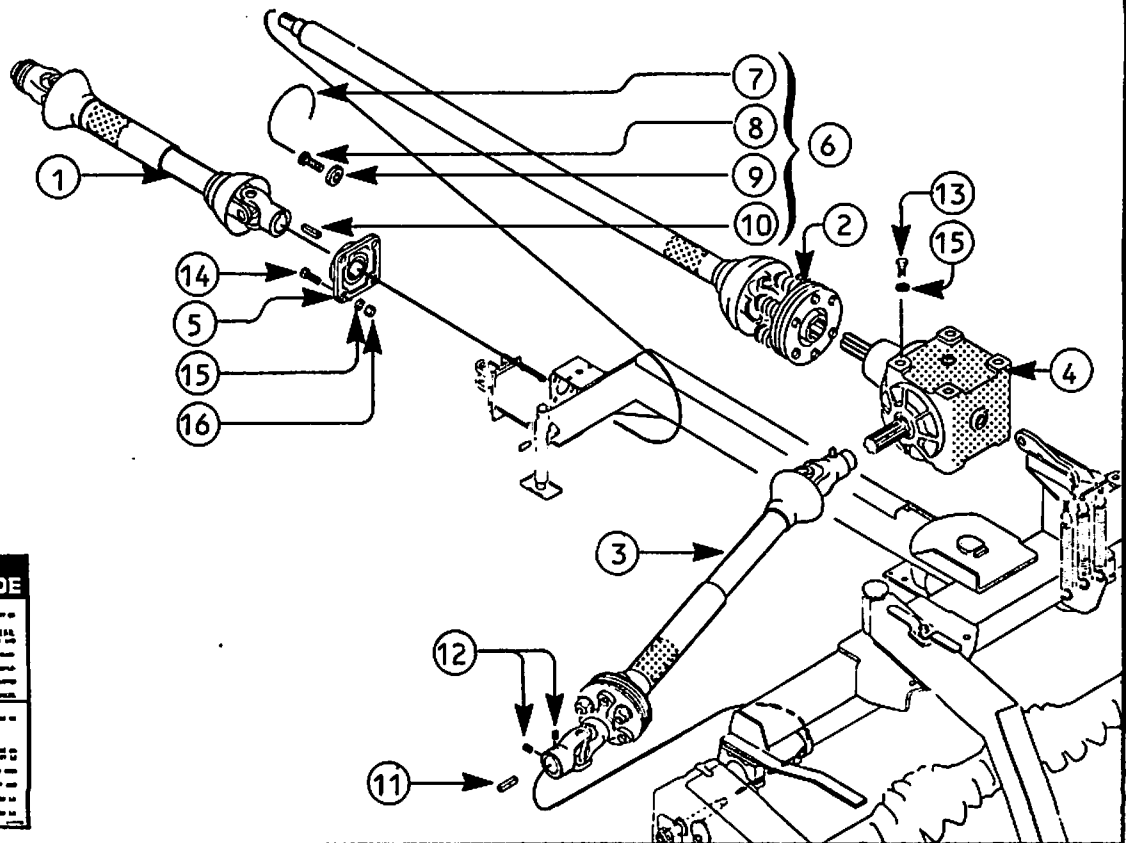
ITEM	PART No.	DESCRIPTION	PCS.
1	305132	Leg, Wheel	2
2	305142	Holder, Axle - RH	1
3	305145	Holder, Axle - LH	1
4	131091	Hub/Spindle Assembly	2
5	131062	Wheel Assembly - 9.5L x 15, 6 Ply	2
6	305148	Nut, Wing - Assembly - 1 in. UNC	2
7	305150	Bolt/Clip Assembly - 1 x 9 UNC	2
8	118313	Bolt, Wheel 9/16 x 1 1/16 UNF, Gr 5, Plated	12
9	118864	U-Bolt 5/8 - 11 x 5 1/2 UNC, Gr 5, Plated	4
10	118024	Bolt, Hex 5/8 x 1 1/2 UNC, Gr 5, Plated	2
11	118508	Washer, Lock 5/8 Plated	10
12	229030	Washer, Flat 21/32 x 4 in. O.D. x 3/8 Thick	2
13	118407	Nut, Hex 5/8 UNC Gr 5, Plated	8
14	118082	Bolt, Hex 1/2 x 3 1/2 UNC, Gr 5, Plated	2
15	118504	Washer, Lock 1/2 Plated	2
16	118405	Nut, Hex 1/2 UNC, Gr 5, Plated	2
17	118335	Grease Fitting 1/4 - 28 AMNF Tapered	2

ROCKSHAFT MOUNTING COMPONENTS



ITEM	PART No.	DESCRIPTION	PCS.
1	305174	Bracket, Shield Support (Large Holes 13/16 Dia.)	2
2	305159	Holder, Rock Flap	1
3	110003	Casting, Bearing Base #207	3
4	110015	Casting, Bearing Cap #207 c/w Grease Fitting	3
5	611080	Shim - 2 x 2 x 14 Gage - Galvanized	6
6	305093	Arm, Hydraulic Float - Assembly	1
7	313020	Pin, 1 7/16 x 3 7/16 in. (Eff.)	1
8	118845	Pin, Roll 5/16 x 2 1/2 in.	2
9	305168	Pin Assy. 1 x 3 3/4 in. Lg. (Eff.)	2
10	118830	Pin, Hair 3/16 x 3 1/4 in.	2
11	143001	Spring, Tension 14 7/8 in. x 29 coils	3
12	118241	Bolt, Eye 3/4 x 5 1/4 UNC, Gr 5, Plated	3
13	118422	Nut, Hex - Lock 3/4 UNC, Gr 5, Plated	3
14	118062	Bolt, Hex 3/4 x 5 1/2 UNC, Gr 5, Plated	2
15	118084	Bolt, Hex 3/4 x 6 1/2 UNC, Gr 5, Plated	2
16	118172	Bolt, Hex 3/4 x 8 1/2 UNC, Gr 5, Plated	2
17	118509	Washer, Lock 3/4 Plated	6
18	118410	Nut, Hex 3/4 UNC, Gr 5, Plated	4
19	118335	Grease Fitting 1/4-28 AMNF Tapered	3

DRIVE LINE COMPONENTS



17

⚠ DANGER
MISE EN GARDE

ROTATING DRIVE LINE

KEEP CLOTHING, YOURSELF AND OTHERS WELL CLEAR OF ANY PARTS OF THE DRIVE LINE. THESE PARTS ROTATE AND CAN CAUSE SERIOUS INJURY OR DEATH.

NE PAS S'APPRÓCHER DE LA LIGNE DE TRANSMISSION EN MARCHE. VOS VÊTEMENTS, VOUS-MÊME ET AUTRES POUVEZ ÊTRE BLESSÉS GRAVEMENT.

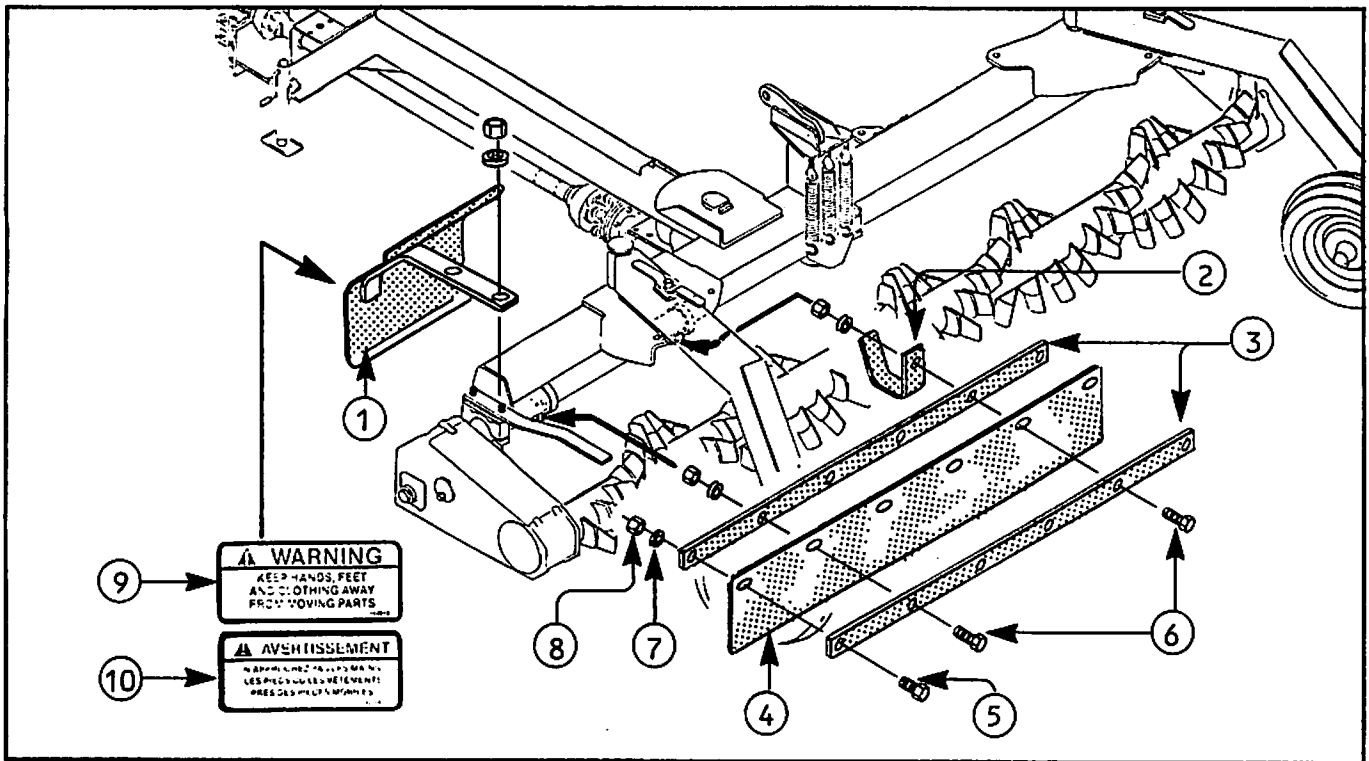
TRANSMISSION ROTATIVE À CATHAN

ÉVITEZ DE VOUS APPROCHER DE LA LIGNE DE TRANSMISSION EN MARCHE. VOS VÊTEMENTS, VOUS-MÊME ET AUTRES POUVEZ ÊTRE BLESSÉS GRAVEMENT.

ITEM	PART No.	DESCRIPTION	PCS.
1	119251	Shaft, Slider 28 1/16 in. (Weasler)	1
2	119275	Shaft, Drive 85 1/8 in. c/w Torque Limiter (Weasler)	1
3	119310	Shaft, Slider 45 1/2 in. c/w Coupler (Weasler)	1
4	119080	Gear Box - 2:1, Model 514 (Curtis)	1
* 5	117089	Bearing, Unit - 4 Hole, 1 3/8 in. I.D.	1
6	119340	Bag, Hardware (supplied by Weasler)	1
7	-----	Tie Wire - 12 in. (not sold separately)	1
8	-----	Bolt, Drilled Head 1/2 x 1 1/4 (not sold separately)	1
9	-----	Washer, 1 1/2 OD (not sold separately)	1
10	-----	Key 3/8 x 5/16 x 1 3/8 (not sold separately)	1
11	119132	Key 3/8 x 3/8 x 1 1/2	1
12	118301	Setscrew, Allen 3/8 x 1/2 in. long	2
13	118011	Bolt, Hex 1/2 x 1 1/2 UNC, Gr 5, Plated	4
14	118014	Bolt, Hex 1/2 x 2 UNC, Gr 5, Plated	4
15	118504	Washer, Lock 1/2 Plated	8
16	118405	Nut, Hex 1/2 UNC Gr 5, Plated	4
17	142226	Decal, Danger "Rotating Drive Line"	3

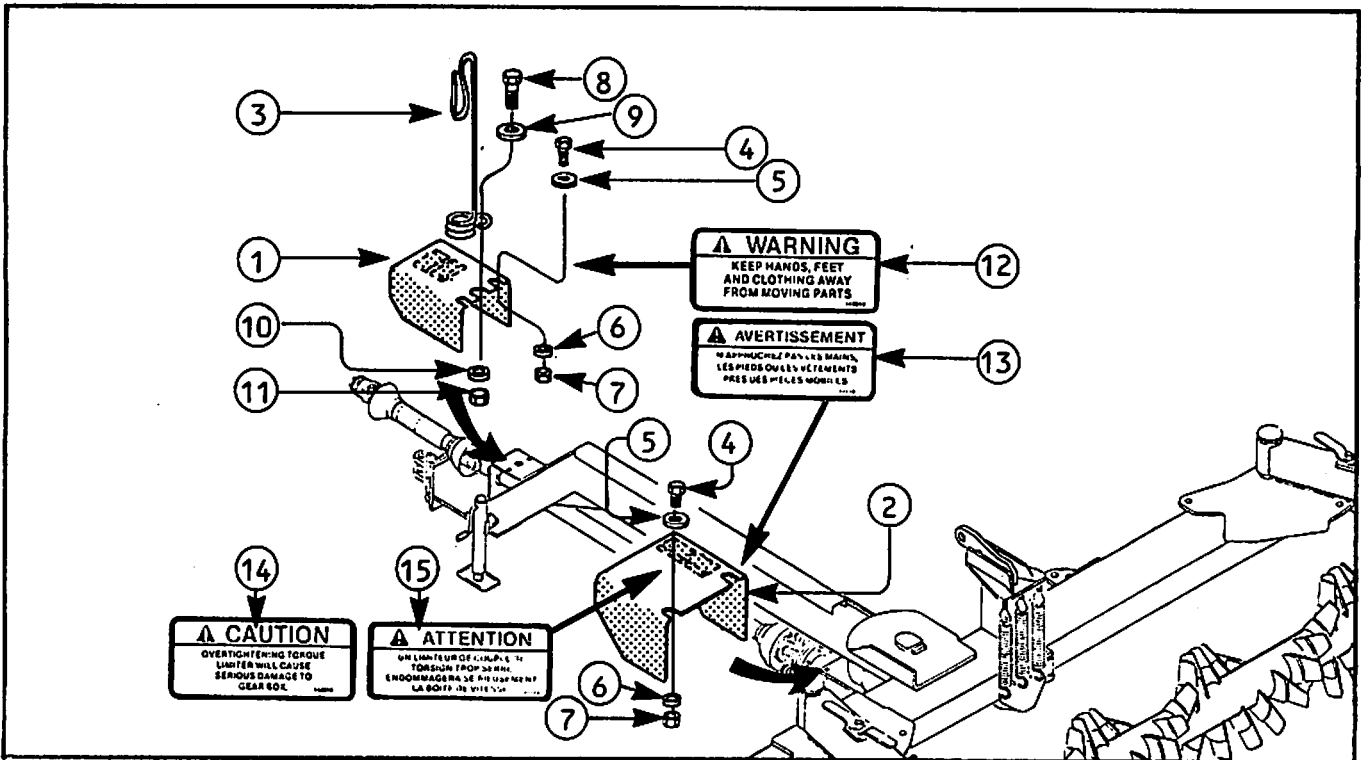
* NOTE: Locking Collar is shipped as part of Bearing Unit, but is not required for this application.

DRIVE LINE COUPLER SHIELD and ROCK FLAP



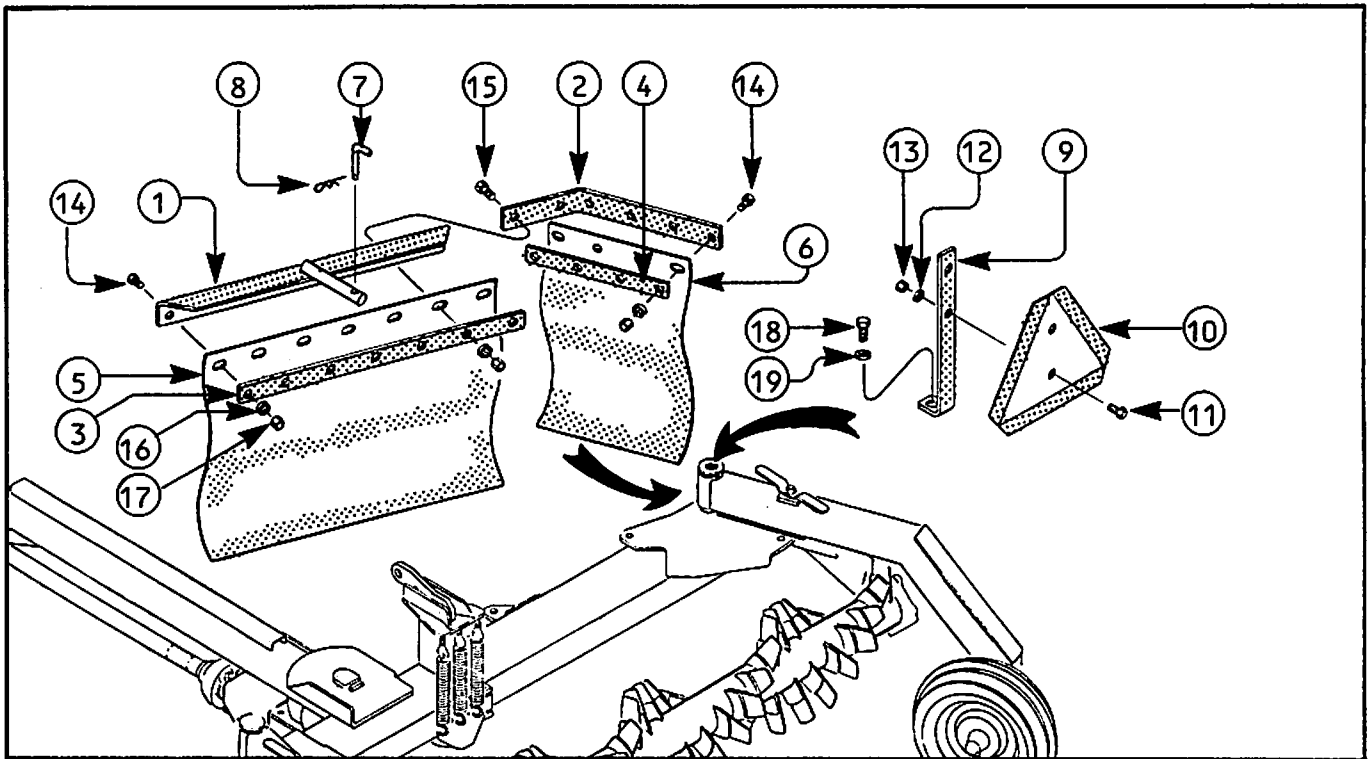
ITEM	PART No.	DESCRIPTION	PCS.
1	305171	Shield, Drive Line Coupler	1
2	305164	Bracket, Drive Shaft Support	1
3	235040	Strap, Flap - 57 in.	2
4	128010	Flap, Rock - 9 x 57 in.	1
5	118136	Bolt, Hex 3/8 x 1 1/2 UNC, Gr 5, Plated	4
6	118087	Bolt, Hex 3/8 x 2 UNC, Gr 5, Plated	2
7	118503	Washer, Lock 3/8 Plated	6
8	118403	Nut, Hex 3/8 UNC, Gr 5, Plated	6
9	142013	Decal, Warning - "Keep hands..."	1
10	142114	Decal, Warning - "N'Approchez..."	1

DRIVE SHAFT SHIELDS



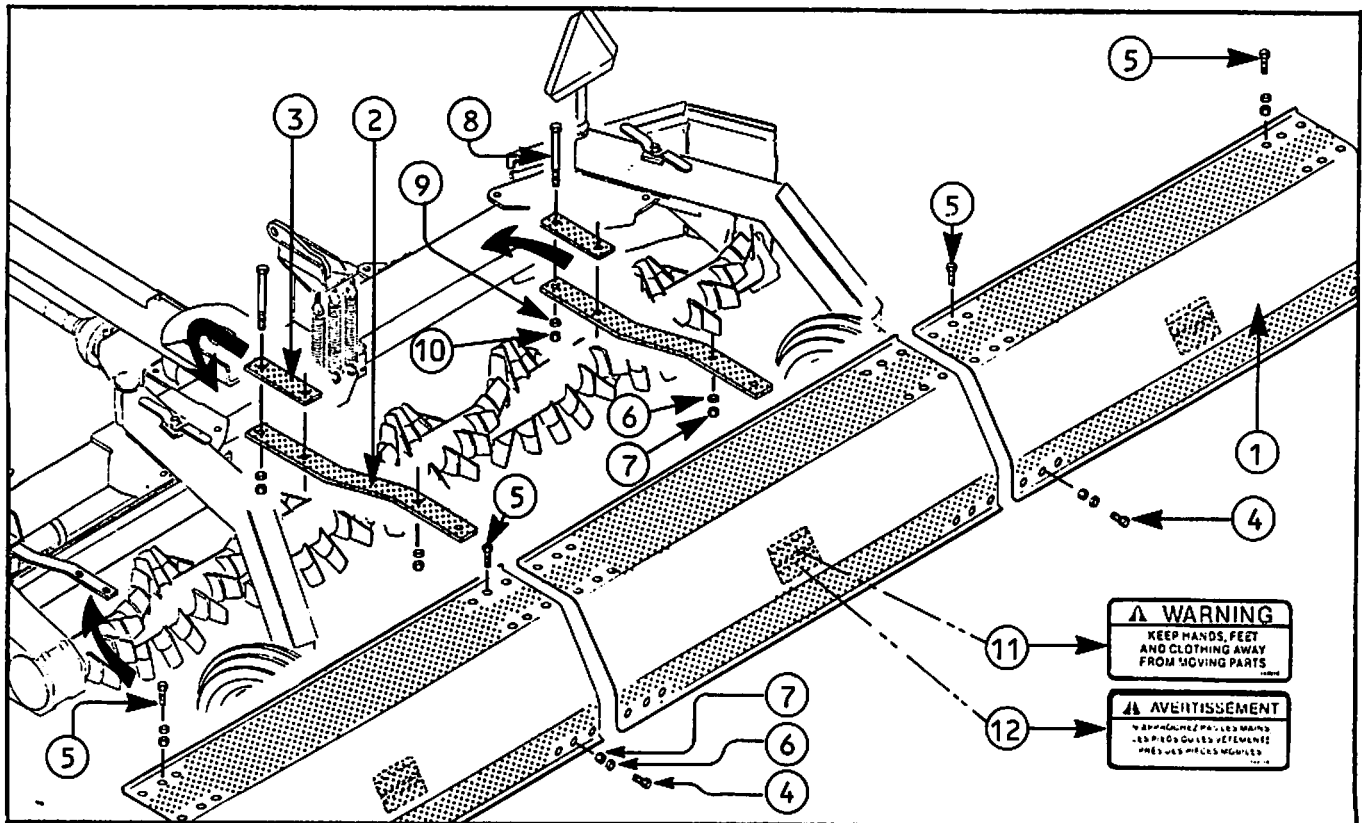
ITEM	PART No.	DESCRIPTION	PCS.
1	305156	Shield, PTO - Front	1
2	305157	Shield, Gear Box	1
3	143111	Hose Holder - Flexible	1
4	118136	Bolt, Hex 3/8 x 1 1/2 UNC, Gr 5, Plated	4
5	118511	Washer, Flat 3/8 Plated	4
6	118503	Washer, Lock 3/8 Plated	4
7	118403	Nut, Hex 3/8 UNC, Gr 5, Plated	4
8	118026	Bolt, Hex 5/8 x 2 UNC, Gr 5, Plated	1
9	118514	Washer, Flat 5/8 Plated	1
10	118508	Washer, Lock 5/8 Plated	1
11	118407	Nut, Hex 5/8 UNC, Gr 5, Plated	1
12	142013	Decal, Warning - "Keep Hands..."	2
13	142114	Decal, Warning - "N'Approchez..."	2
14	142015	Decal, Caution - "Overtightening..."	1
15	142113	Decal, Warning - "UN Limiteur..."	1

ROCK GUARD and SLOW MOVING VEHICLE SIGN



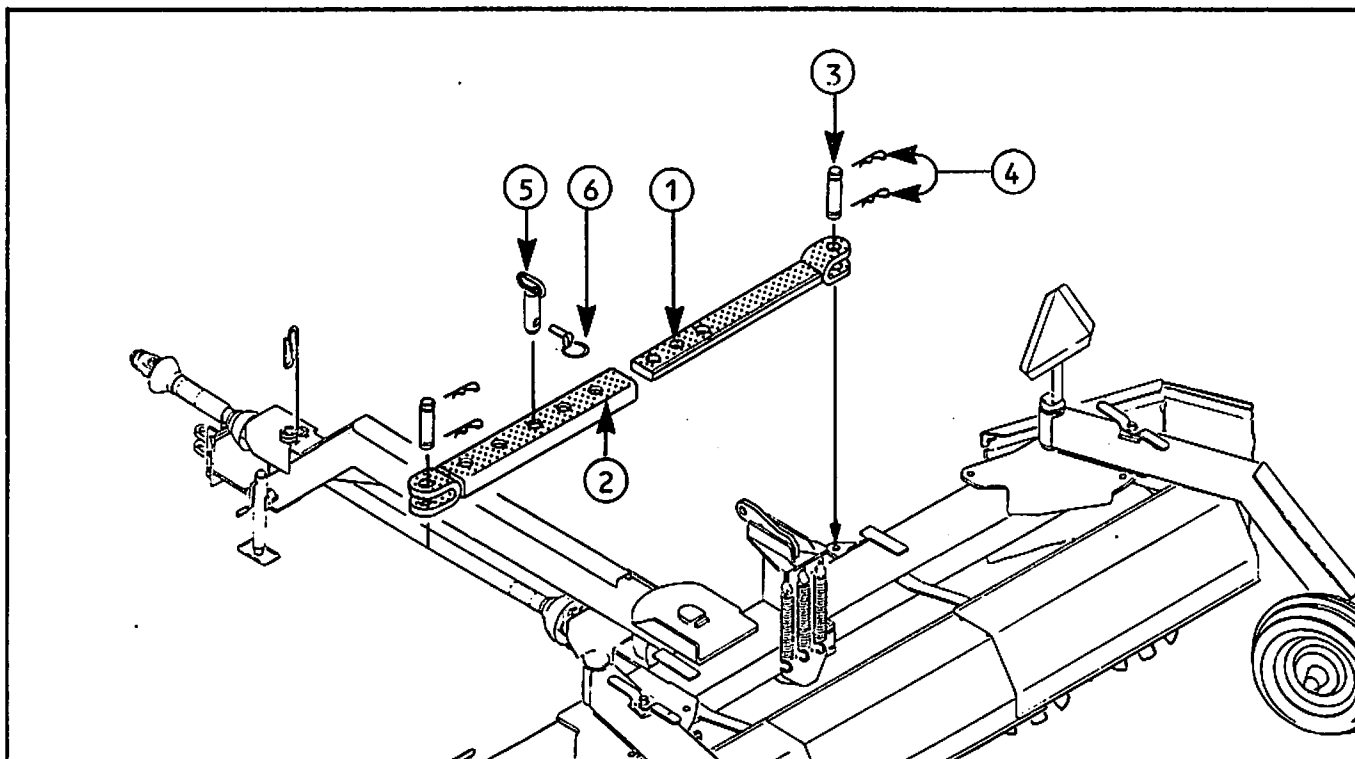
ITEM	PART No.	DESCRIPTION	PCS.
1	305160	Bracket, Stone Guard	1
2	305013	Extension, Rockguard Bracket	1
3	305015	Strap, Flap - 35 in.	1
4	305016	Strap, Flap - 18 in.	1
5	128001	Flap, Rock Guard - 27 1/2 x 36 in.	1
6	128002	Flap, Rock Guard - 18 x 27 1/2 in.	1
7	305162	Pin 1/2 x 1 7/16 in. (eff.) - Bent	1
8	118848	Pin, Hair 5/32 in.	1
9	305165	Bracket, Slow Moving Sign	1
10	142135	Sign, Slow Moving Vehicle - Rigid	1
11	118110	Bolt, Hex 5/16 x 1 UNC, Gr 5, Plated	2
12	118530	Washer, Lock 5/16, Plated	2
13	118427	Nut, Hex 5/16 UNC, Gr 5, Plated	2
14	118011	Bolt, Hex 1/2 x 1 1/2 UNC, Gr 5, Plated	9
15	118014	Bolt, Hex 1/2 x 2 UNC, Gr 5, Plated	2
16	118504	Washer, Lock 1/2 Plated	11
17	118405	Nut, Hex 1/2 UNC, Gr 5, Plated	11
18	118024	Bolt, Hex 5/8 x 1 1/2 UNC, Gr 5, Plated	1
19	118508	Washer, Lock 5/8 Plated	1

DRUM SHIELD



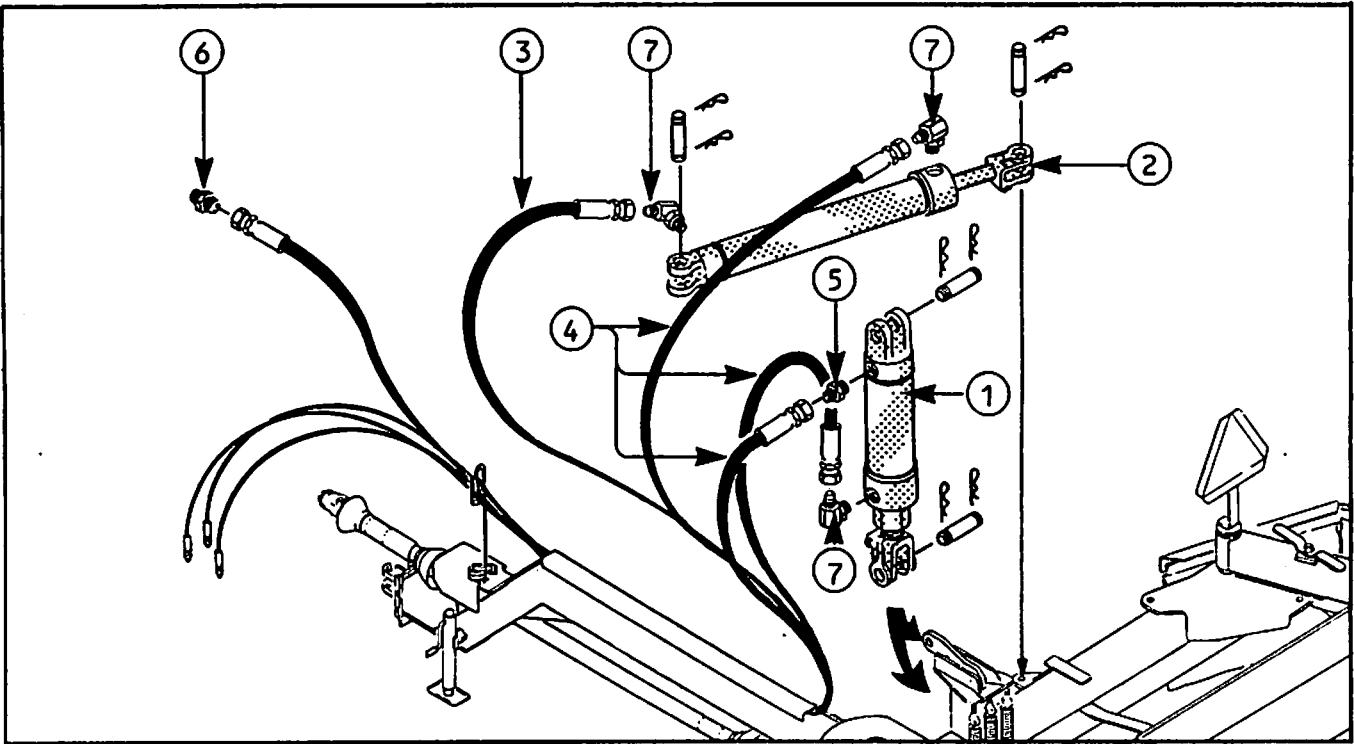
ITEM	PART No.	DESCRIPTION	PCS.
1	305172	Shield, Drum	3
2	305173	Bracket, Shield Support (large holes 9/16 dia.)	2
3	312002	Bar, Bolt - 2 Hole (6-5/8 in. Centres)	2
4	118005	Bolt, Hex 3/8 x 1, UNC, Gr 5, Plated	2
5	118136	Bolt, Hex 3/8 x 1 1/2 UNC, Gr 5, Plated	8
6	118503	Washer, Lock 3/8 Plated	10
7	118403	Nut, Hex 3/8 UNC, Gr 5, Plated	10
8	118171	Bolt, Hex 1/2 x 7 1/2 UNC Gr 5 Plated	4
9	118504	Washer, Lock 1/2 Plated	4
10	118405	Nut, Hex 1/2 UNC, Gr 5, Plated	4
11	142013	Decal, Warning - "Keep Hands..."	3
12	142114	Decal, Warning - "N'Approchez..."	3

MECHANICAL POLE UNIT



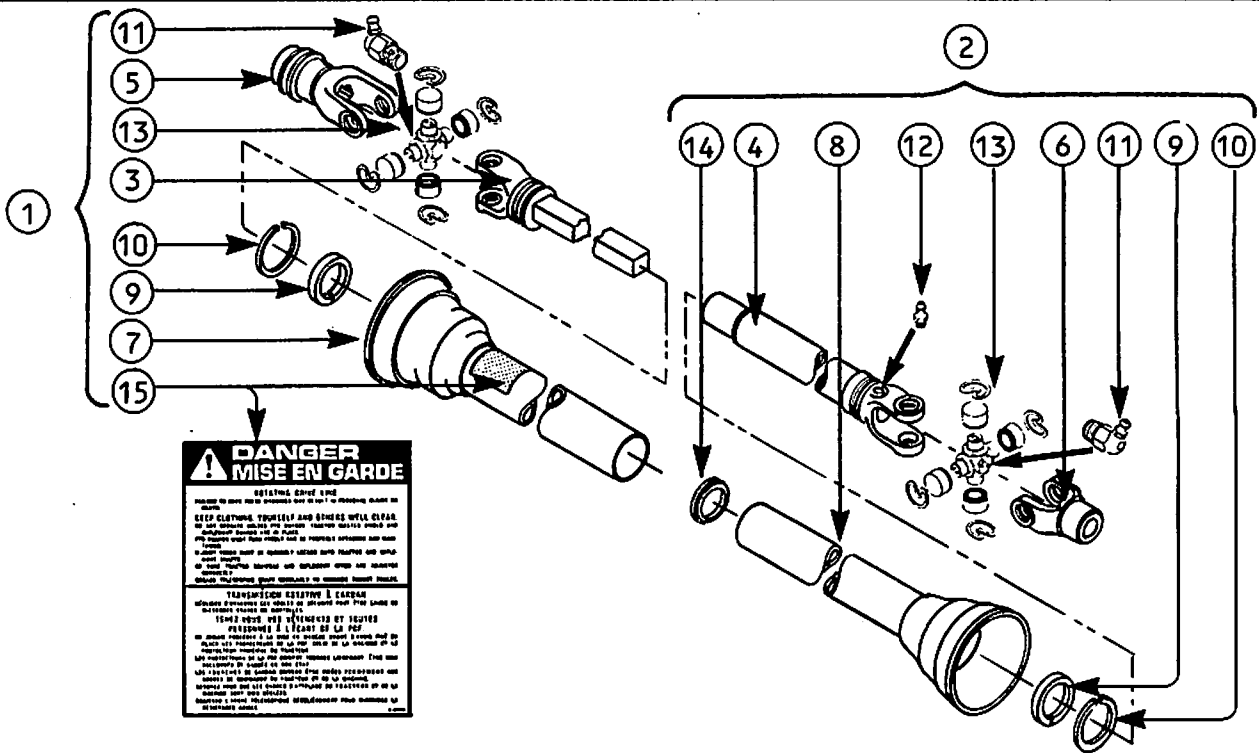
ITEM	PART No.	DESCRIPTION	PCS.
1	305190	Bar, Push	1
2	305193	Holder, Push Bar	1
3	121619	Pin, 1 x 2 7/8 in. (eff.)	2
4	118830	Pin, Hair - 3/16 x 3 1/4	4
5	778123	Pin Assembly - 1 x 2 3/16 in (eff.)	1
6	118869	Pin, Klik 7/16 x 1 3/4	1

OPTIONAL HYDRALUC CLYINDER UNIT



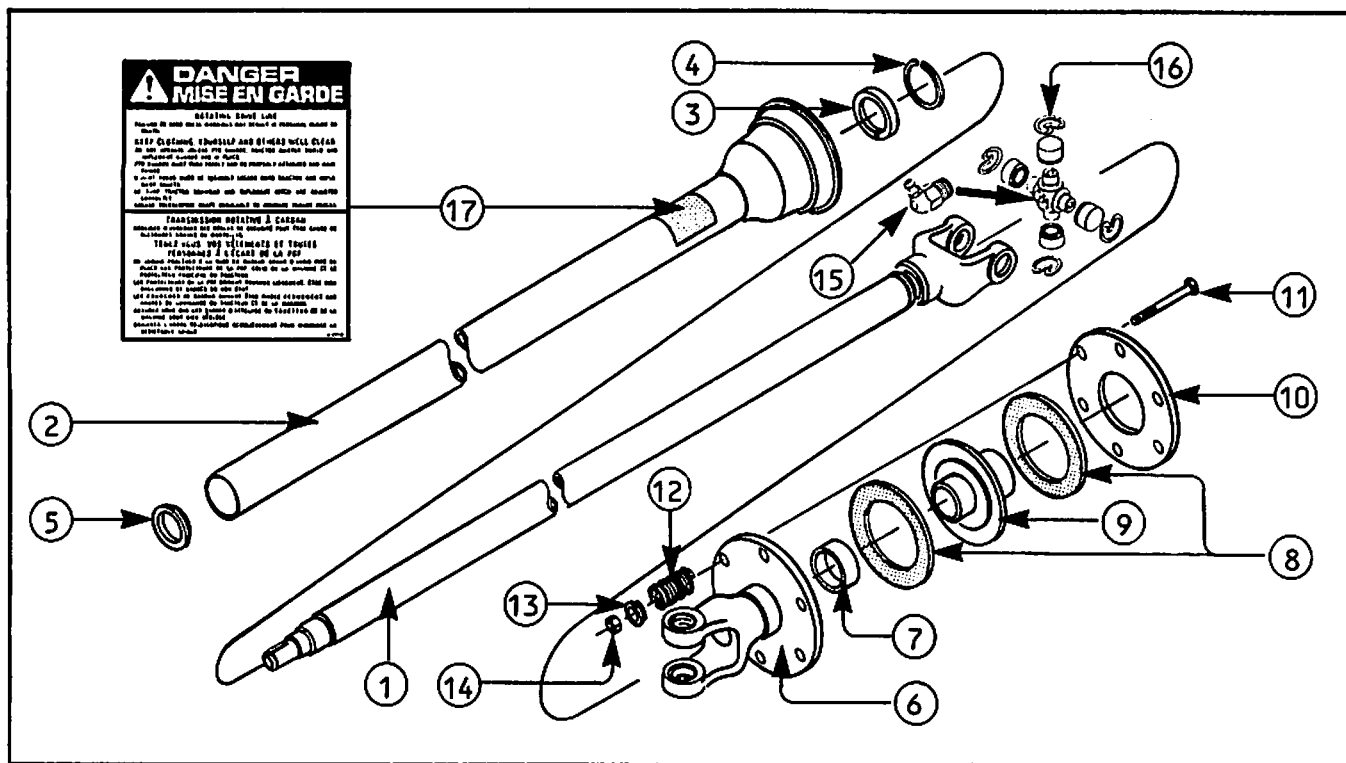
ITEM	PART No.	DESCRIPTION	PCS.
1	121614	Cylinder, Hydraulic - 3 x 8 c/w Pins - D.I.L.	1
2	121810	Cylinder, Hydraulic - 2 1/2 x 16 c/w Pins - DIL - Ports 90° to each other	1
3	126531	Hose 3/8 x 156 2WB - 3/4 JIC (F-SW)	1
4	126508	Hose 3/8 x 183 2WB - 3/4 JIC (F-SW)	3
5	141515	Nipple 3/4 JIC(M) x 3/4 ORB(M)	1
6	141514	Nipple 1/2 NPT(M) x 3/4 JIC(M)	4
7	141504	Elbow, 90° 3/4 JIC(M) x 3/4 ORB(M)	3

SLIDER SHAFT - 28 1/16 in. (WEASLER)



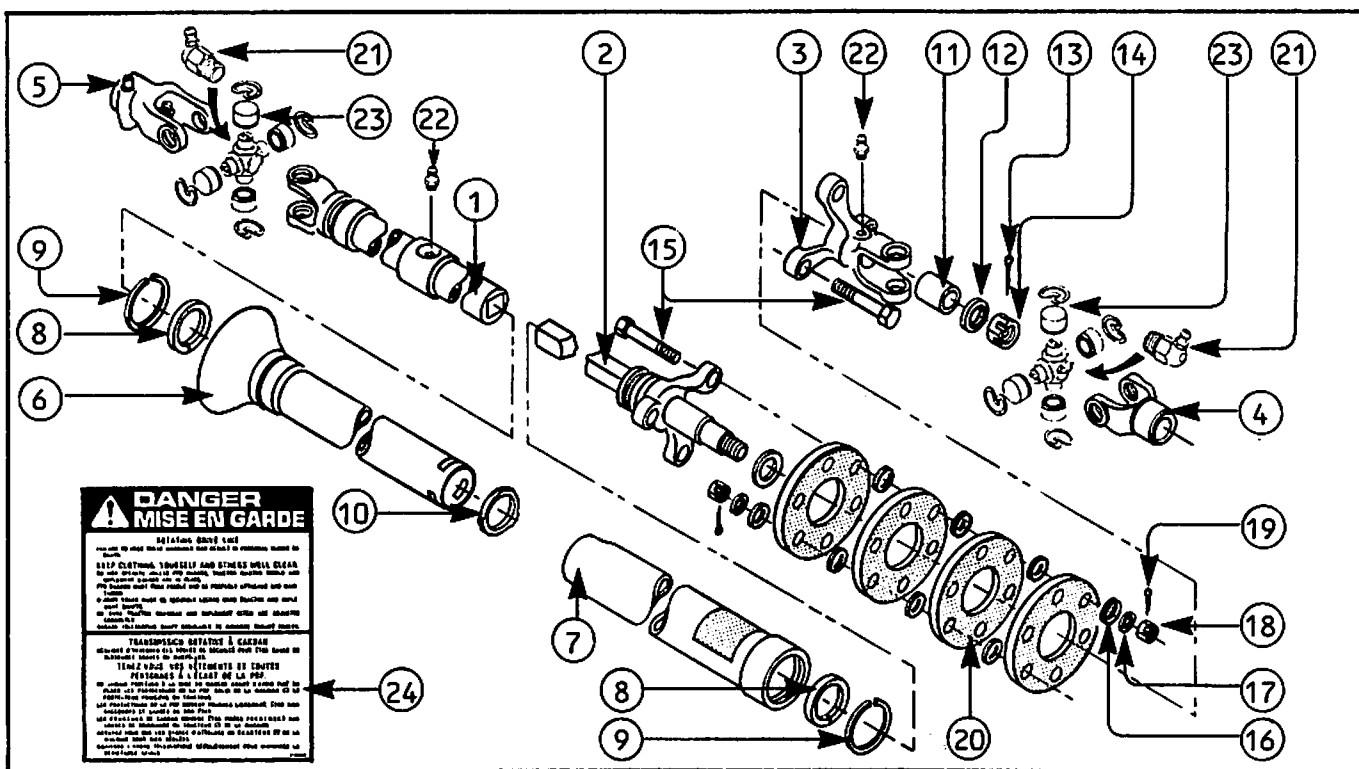
ITEM	PART No.	DESCRIPTION	PCS.
--	119251	Shaft, Slider 28 1/16 in. (Weasler) - complete	1
1	119252	Bar/Yoke/Shield Half - complete	1
2	119253	Tube/Yoke/Shield Half - complete	1
3	119254	Bar/Yoke Assembly	1
4	119255	Tube/Yoke Assembly	1
5	119256	Yoke, Quick Lock - 1 3/8 - 6 Spline	1
6	119257	Yoke - 1 5/16 Bore to 1 9/16 Bore	1
7	119258	Shield, Plastic - 3 in. Tube	1
8	119259	Shield, Plastic - 2 3/4 in. Tube	1
9	119260	Bearing, Nylon #4N20	2
10	119261	Retaining Ring #24N26	2
11	119262	Grease Fitting 1/8 NPT - 75°	2
12	118335	Grease Fitting 1/4 - 28 AMNF Tapered	1
13	119263	Cross and Bearing Kit - 14 NW	2
14	119264	Centralizer, Nylon - 2 3/4 Dia. - Stepped	1
15	142226	Decal, Danger "Rotating Drive Line"	1

DRIVE SHAFT c/w TORQUE LIMITER (WEASLER)



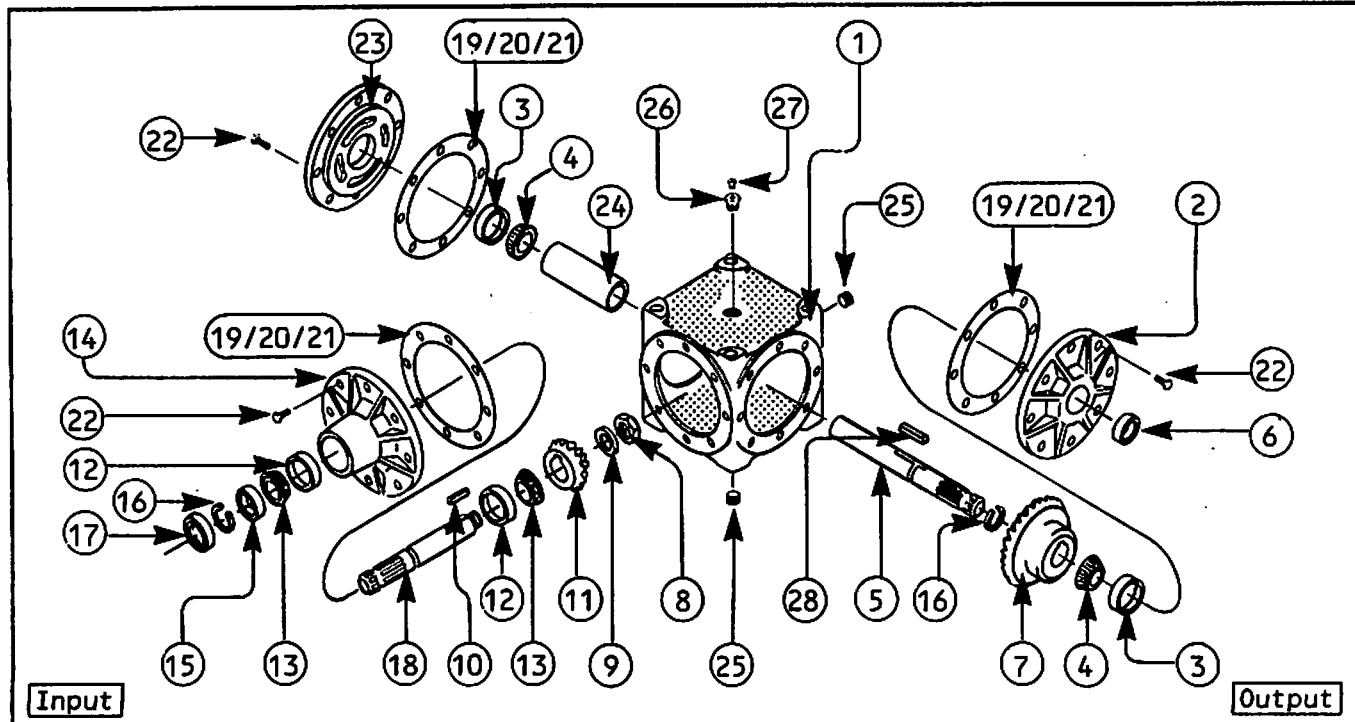
ITEM	PART No.	DESCRIPTION	PCS.
--	119275	Shaft, Drive 85 1/8 c/w Torque Limiter - complete	1
1	119276	Shaft/Yoke Assembly	1
2	119277	Shield, Plastic - 2 3/4 in. Tube x 76 1/2 lg.	1
3	119260	Bearing, Nylon #4N20	1
4	119261	Retaining Ring #24N26	1
5	119264	Centralizer, Nylon 2 3/4 Dia. - stepped	1
6	119278	Pressure Plate/ Yoke Assembly	1
7	119279	Bushing 2 1/8 OD x 3/4 in. long	1
8	119280	Disc, Friction - #11F98	2
9	119281	Hub/Plate Assembly	1
10	119282	Pressure Plate	1
11	118139	Bolt, Hex 3/8 x 4 UNC, Gr 5, Plated	6
12	119283	Spring, Compression - #23A19	6
13	119284	Keeper, Spring - #11W138	6
14	118417	Nut, Hex Lock 3/8 UNC, Gr 5, Plated	6
15	119262	Grease Fitting 1/8 NPT - 750	1
16	119285	Cross and Bearing Kit - 35NW	1
17	142226	Decal, Danger "Rotating Drive Line"	1

SLIDER SHAFT c/w COUPLER (WEASLER)



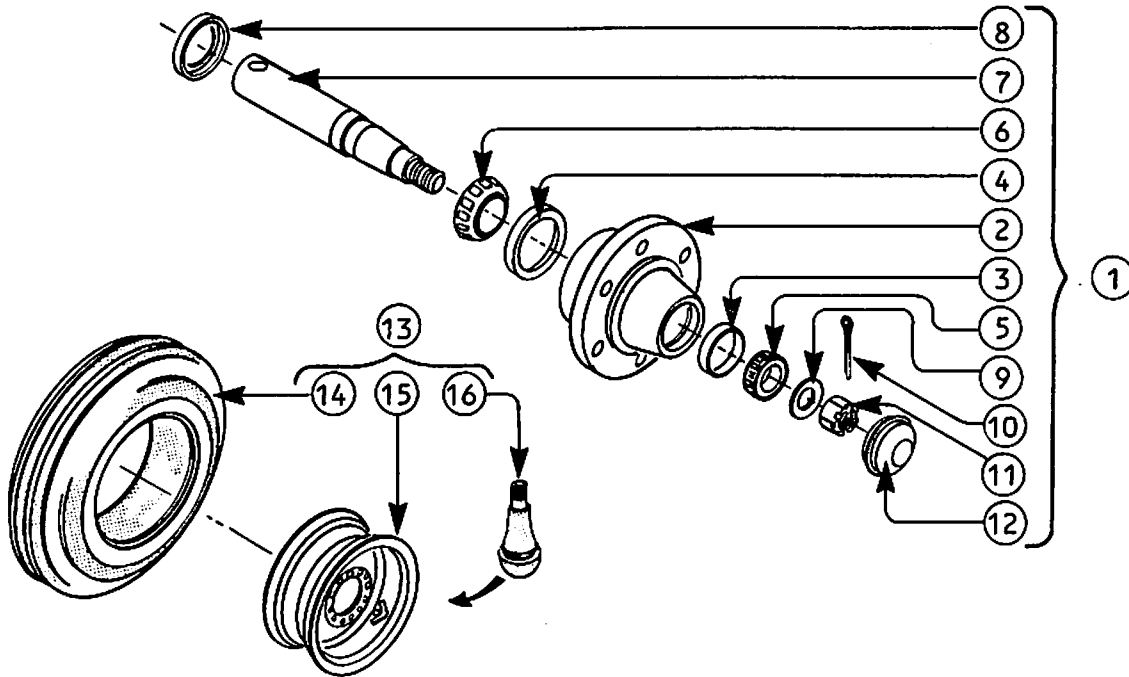
ITEM	PART No.	DESCRIPTION	PCS.
--	119310	Shaft, Slider 45 1/2 in. c/w Coupler (Weasler) - complete	1
--	119311	Tube/Yoke/Shield Half - complete	1
--	119312	Bar/Coupler/Yoke/Shield Half - complete	1
1	119313	Tube/Yoke Assembly	1
2	119314	Bar/Bolt Casting Assembly	1
3	119315	Bolt Casting/Yoke Assembly	1
4	119316	Yoke - 1 3/4 Bore	1
5	119317	Yoke, Quick Disconnect - 6 Spline	1
6	119318	Shield, Metal - 2 1/2 in. Tube x 23 1/4 Long	1
7	119319	Shield, Metal - 2 3/4 in. Tube x 16 3/4 Long	1
8	119260	Bearing, Nylon #4N20	2
9	119261	Retaining Ring #24N26	2
10	119320	Centralizer, Nylon #4A27	1
11	119321	Bushing, Machined #AA-4499	1
12	119322	Washer, Bevelled 1 1/2 OD x 3/16 Thick #11W35	1
13	119323	Pin, Cotter 1/8 x 1 in.	1
14	119324	Nut, Slotted Hex 5/8-11 ASA Finish	1
15	119325	Bolt, Hex 5/8-18 x 3 9/32 Lg, Gr 8 #11B50-26	6
16	119326	Washer, Beaded #11W52	24
17	119327	Washer, Plain #1178-7	6
18	119328	Nut, Slotted Hex 5/8-18 #11N53	6
19	119329	Pin, Cotter 5/32 x 1 in.	6
20	119330	Disc, Composite #2105-32	4
21	119262	Grease Fitting 1/8 NPT - 75°	2
22	118335	Grease Fitting 1/4-28 AMNF Tapered	2
23	119285	Cross and Bearing Kit - 35NW	2
24	142226	Decal, Danger "Rotating Drive Line"	1

GEAR BOX 2:1 (CURTIS)



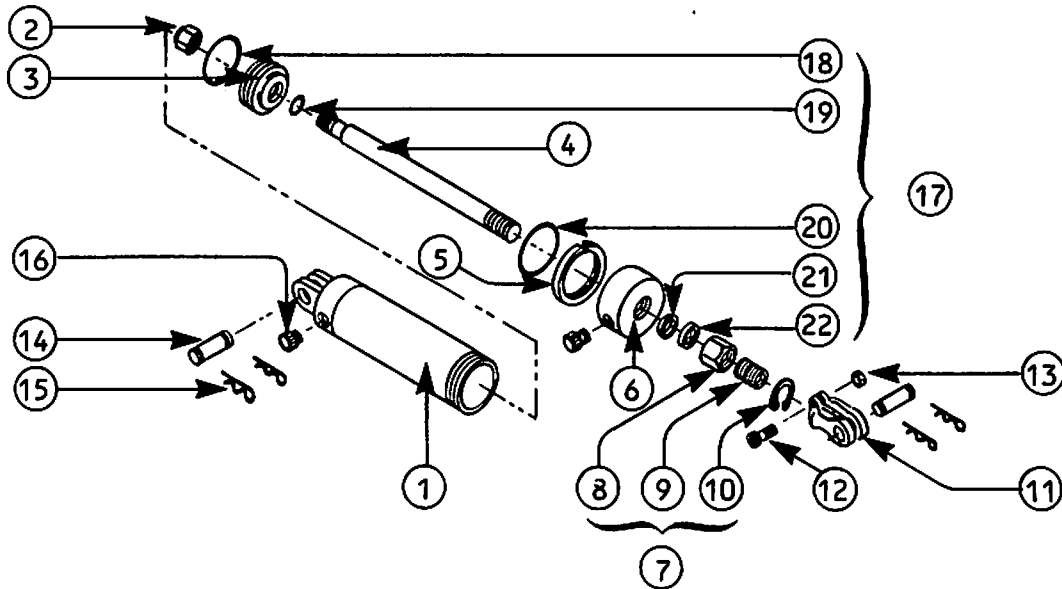
ITEM	PART No.	DESCRIPTION	PCS.
--	119080	Gear Box - 2:1 Model 514, Type "G" (Curtis)	1
1	119085	Housing	1
2	119086	Cap (Output)	1
3	119087	Bearing Cup (Output)	2
4	119088	Bearing Cone (Output)	2
5	119089	Shaft (Output)	1
6	119090	Seal (Output)	1
7	119091	Gear, Crown - Forged	1
8	119092	Nut, Lock	1
9	119093	Washer	1
10	119094	Key (Input)	1
11	119095	Gear, Pinion - Forged	1
12	119096	Bearing Cup (Input)	2
13	119097	Bearing Cone (Input)	2
14	119098	Cap (Input)	1
15	119099	Collar	1
16	119165	Retaining Ring	2
17	119166	Seal (Input)	1
18	119167	Shaft (Input)	1
19	119168	Gasket (.015 in.)	A/R
20	119169	Gasket (.005 in.)	A/R
21	119170	Gasket (.003 in.)	A/R
22	119171	Cap Screw - Sems	24
23	119172	Cap (Blank)	1
24	119173	Spacer	1
25	119016	Pipe Plug - 1/2 NPT	2
26	119021	Reducer, 1/8 NPT (FM) x 1/2 NPT (M)	1
27	119020	Vent, Pressure Relief - 1/8 NPT (M)	1
28	119174	Key (Output)	1
--	119175	Repair Kit	1

WHEEL, HUB and SPINDLE



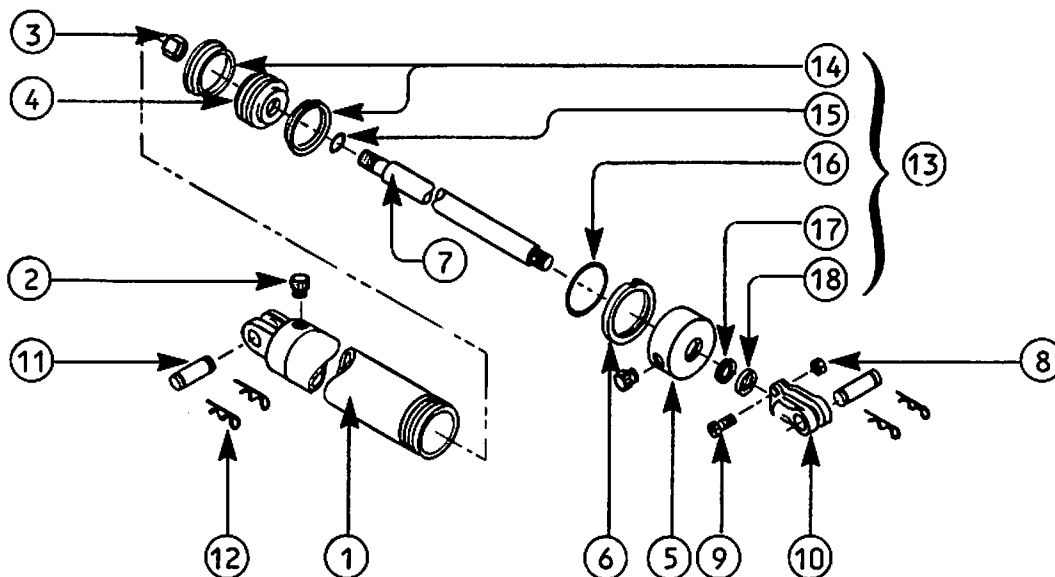
ITEM	PART No.	DESCRIPTION	PCS.
1	131091	Hub and Spindle Assembly	1
2	131013	Casting, Hub - H618 c/w Cups	1
3	131025	Cup, Outer #LM48510	1
4	131023	Cup, Inner #25520	1
5	131024	Cone, Outer #LM48548	1
6	131022	Cone, Inner #25580	1
7	131090	Spindle - H618 2.1 x 12 in. c/w Nut	1
8	131026	Dust Seal H618	1
9	131020	Washer, Bearing Retainer	1
10	118835	Pin, Cotter 3/16 x 1 1/2	1
11	118423	Nut, Castellated 1 in. UNC, Gr 5, Plated	1
12	131016	Dust Cap	1
13	131062	Wheel Assembly - 9.5L x 15 6 Ply	1
14	127003	Tire, 9.5L x 15 - 6 Ply, Tubeless	1
15	131001	Rim, Wheel 15 x 8 - 6 Bolt	1
16	127006	Valve Stem TR415	1

3 x 8 HYDRAULIC CYLINDER -- D.I.L.



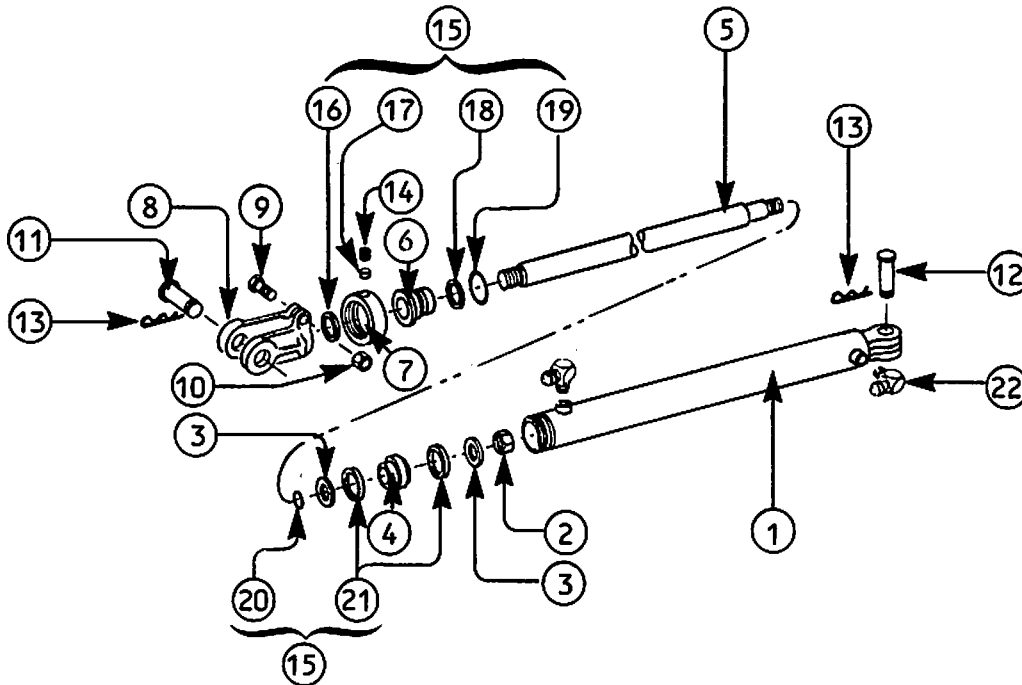
ITEM	PART No.	DESCRIPTION	PCS.
--	121614	Cylinder, Hydraulic 3 x 8 c/w Pins - D.I.L.	1
1	121628	Barrel Assembly - 3 x 8	1
2	118441	Nut, Lock 7/8 UNF, Gr 5, Plated - Uni-Torque	1
3	121700	Piston - 3 in. (O-Ring type)	1
4	121618	Rod, Cylinder 1 1/4 Dia.	1
5	121746	Ring, Lock - 3 in.	1
6	121630	Cap, Open - 3 in.-1 1/4 Rod	1
7	121642	Depth Control Assembly	1
8	-----	Nut, Adjusting (not sold separately)	1
9	-----	Sleeve, Depth Control (not sold separately)	1
10	118329	Snap Ring	1
11	121631	Clevis, Rod 1 1/4 - 12 UNF	1
12	118311	Capscrew 3/8 x 1 3/4 - Allen	1
13	118403	Nut, Hex 3/8 UNC, Gr 5, Plated	1
14	121619	Pin, 1 x 2 7/8 in. (Eff)	2
15	118830	Pin, Hair 3/16 x 3 1/4	4
16	121326	Plug, Port 3/4 ORB - Plastic	2
17	121625	Kit, Seal - 3 in. Cyl. 1 1/4 Rod	1
18	-----	O-Ring #334 (not sold separately)	1
19	-----	O-Ring #020 (not sold separately)	1
20	-----	O-Ring #237 (not sold separately)	1
21	-----	U-Cup (not sold separately)	1
22	-----	Rod Wiper (not sold separately)	1
Note: Complete rebuilt Hydraulic Cylinders may be available			

2 1/2 x 16 HYDRAULIC CYLINDER -- D.I.L.



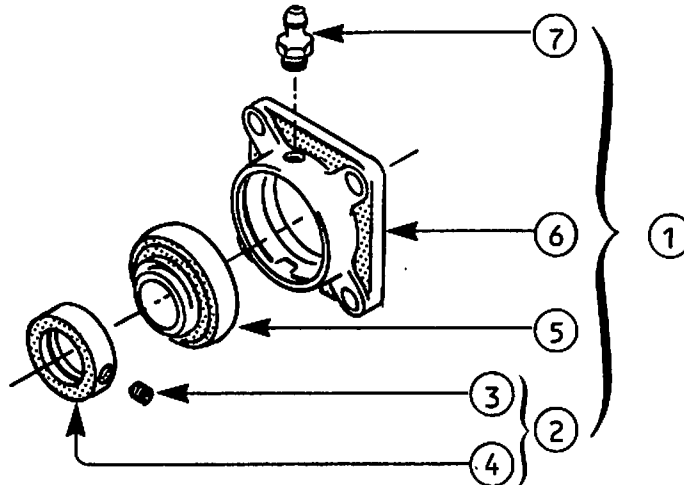
ITEM	PART No.	DESCRIPTION	PCS.
--	121810	Cylinder, Hydraulic - 2 1/2 x 16 c/w Pins - D.I.L. - Ports 90° to each other	1
1	121670	Barrel Assembly 2 1/2 x 16	1
2	121326	Plug, Port 3/4 ORB - Plastic	2
3	118441	Nut, Lock 7/8 UNF, Gr 5, Plated - Uni-Torque	1
4	121664	Piston 2 1/2 in.	1
5	121669	Cap, Open 2 1/2 in. 1-1/4 Rod	1
6	121741	Ring, Lock 2 1/2 in.	1
7	121656	Rod, Cylinder 1 1/4 Dia.	1
8	118403	Nut, Hex 3/8 UNC, Gr 5, Plated	1
9	118311	Capscrew 3/8 x 1 3/4 Allen	1
10	121699	Clevis, Rod 1 - 14 UNS	1
11	121619	Pin 1 x 2 7/8 in. (eff)	2
12	118830	Pin, Hair 3/16 x 3 1/4	4
13	121675	Kit, Seal 2 1/2 Cyl. 1 1/4 Rod	1
14	-----	U-Cup (not sold separately)	2
15	-----	O-Ring #020 (not sold separately)	1
16	-----	O-Ring #233 (not sold separately)	1
17	-----	U-Cup (not sold separately)	1
18	-----	Rod Wiper (not sold separately)	1
Note: Complete rebuilt Hydraulic Cylinders may be available			

2 1/2 x 16 HYDRAULIC CYLINDER -- CROSS
(Rock Rake Serial #2378 - 2392 inclusive)



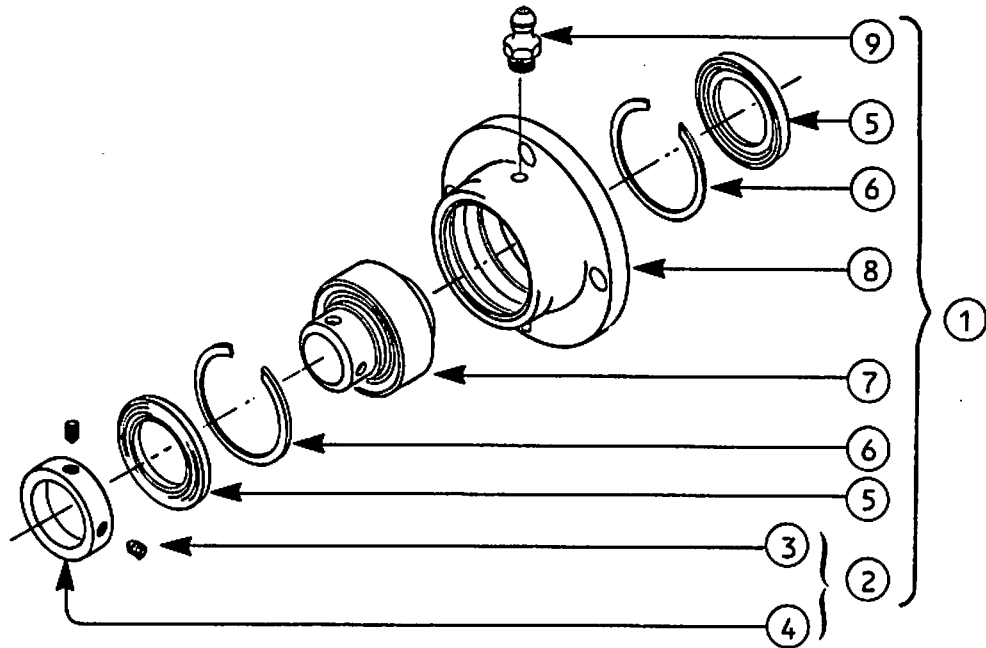
ITEM	PART No.	DESCRIPTION	PCS.
--	-----	Cylinder, Hydraulic 2 1/2 x 16 c/w Pins (Cross) Ports 90° to each other c/w 3/8 NPT(M) x 3/4-16 JIC, EL	
1	-----	Barrel Assembly c/w fittings	1
2	106005	Nut, Hex Self-locking 7/8 - 14 UNF	1
3	107001	Plate, Follower 2 1/2 Dia.	2
4	107003	Piston 2 1/2 Dia.	1
5	106013	Rod, Cylinder	1
6	107005	Head 2 1/2 Dia.	1
7	107006	Cap, Head 2 1/2 Dia.	1
8	107301	Clevis	1
9	118311	Cap Screw 3/8 x 1 3/4 Allen	1
10	118403	Nut, Hex 3/8 UNC, Gr 5, Plated	1
11	106009	Pin 1 x 2 3/4 in. (eff)	1
12	106008	Pin 1 x 2 3/8 in. (eff)	1
13	118848	Pin, Hair 5/32 in.	2
14	118254	Setscrew 1/4 x 1/4 - Allen Head	1
15	107500	Kit, Repair 2 1/2 x 16 Cross	1
16	-----	Rod Wiper (not sold separately)	1
17	-----	Plug, Nylon (not sold separately)	1
18	-----	U-Cup, Head (not sold separately)	1
19	-----	O-Ring, Head (not sold separately)	1
20	-----	O-Ring, Piston to Rod (not sold separately)	1
21	-----	U-Cup, Piston (not sold separately)	2
22	141516	Elbow, 90 3/8 NPT(M) x 3/4-16 JIC(M)	2

BEARINGS 1 3/8 in./ 2 in./ 2 7/16 in.



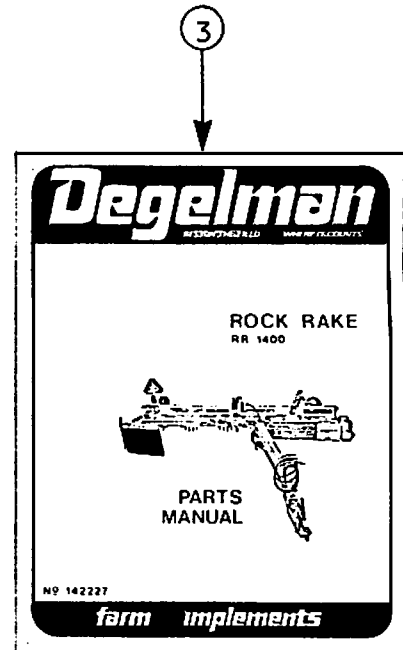
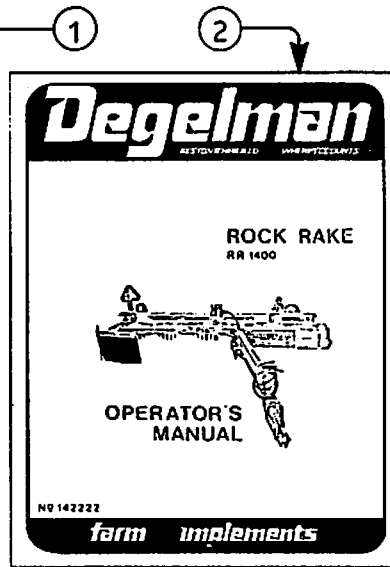
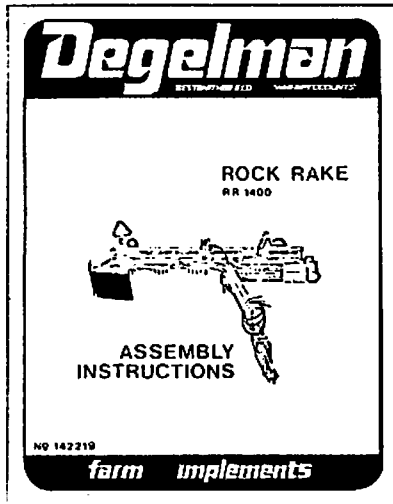
ITEM	PART No	DESCRIPTION	PCS.
1	117089	Bearing, Unit - 4 Hole 1 3/8 in.	1
2	----	Not Required	-
3	----	Not Required	-
4	----	Not Required	-
5	117090	Insert, Bearing - 1 3/8 in.	1
6	117091	Housing, Bearing - 1 3/8 in.	1
7	----	Grease Fitting (not sold separately)	1
1	117004	Bearing, Unit - 4 Hole 2 in.	1
2	117031	Collar, Lock - Eccentric Type c/w Set Screw	1
3	----	Set Screw (not sold separately)	1
4	----	Collar, Lock (not sold separately)	1
5	117104	Insert, Bearing - 2 in.	1
6	117105	Housing, Bearing - 2 in.	1
7	----	Grease Fitting (not sold separately)	1
1	117006	Bearing, Unit - 4 Hole 2 7/16 in.	1
2	117022	Collar, Lock - Eccentric Type c/w Set Screw	1
3	----	Set Screw (not sold separately)	1
4	----	Collar, Lock (not sold separately)	1
5	117106	Insert, Bearing - 2 7/16 in.	1
6	117107	Housing, Bearing - 2 7/16 in.	1
7	----	Grease Fitting (not sold separately)	1

BEARING - SPHERICAL - 2 7/16 in.



ITEM	PART No.	DESCRIPTION	PCS.
1	117095	Bearing, Unit - Spherical 2 7/16 in. SKF	1
2	117097	Collar, Lock - c/w Set Screws	1
3	----	Set Screw 1/2-20 x 3/4 in. (not sold separately)	2
4	----	Collar, Lock (not sold separately)	1
5	117093	Seal - 2 7/16 in. Spherical	2
6	117094	Ring, Retaining - 2 7/16 in. Spherical	2
7	117098	Insert, Bearing - 2 7/16 in. Spherical	1
8	117099	Housing, Bearing - 2 7/16 in. Spherical	1
9	----	Grease Fitting (not sold separately)	1

PUBLICATIONS



①

②

③

ITEM	PART No.	DESCRIPTION	PCS.
1	142219	Instructions, Assembly	1
2	142222	Manual, Operators	1
3	142227	Manual, Parts	1

NOTES



**Our company
proudly displays the
FEMA Seal of Quality
on this equipment.**

**We were awarded this
registered trademark because:**

- **We provide complete operating instructions.**
- **We provide complete repair parts lists.**
- **We provide written warranty protection.**
- **We agree to provide ten year
parts availability.**

**Look for the Seal of Quality
when purchasing your next shortline equipment.**

Degelman

